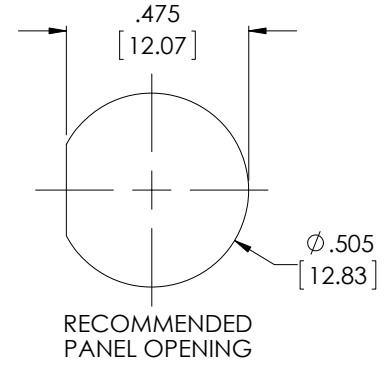
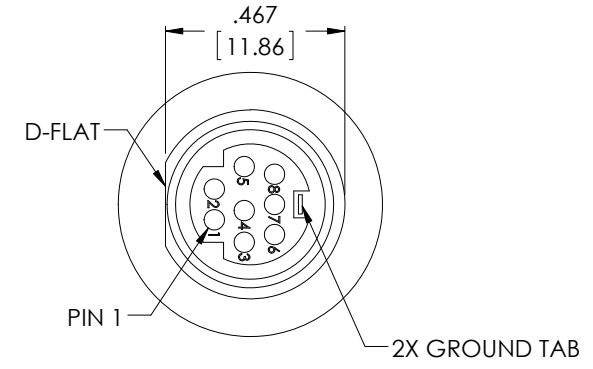
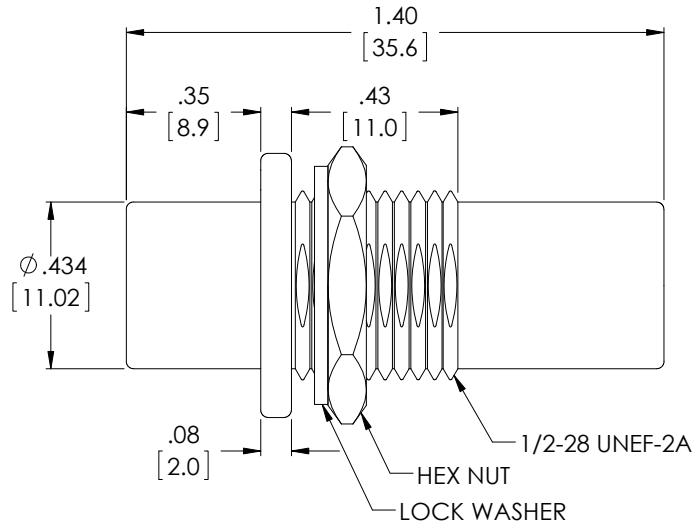
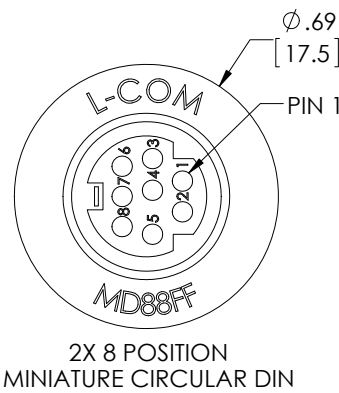


THE INFORMATION CONTAINED IN THIS DRAWING IS THE SOLE PROPERTY OF L-COM, INC. ANY REPRODUCTION IN PART OR WHOLE WITHOUT THE WRITTEN PERMISSION OF L-COM, INC. IS PROHIBITED.

REVISIONS			
REV	DESCRIPTION	DATE	APPROVED
A	DRAWING REPLACES MD88FF-OD1	10/13/14	D. DESJARDIN



- NOTES:**
1. THE D-FLAT ON THE THREADED BARREL OF ADAPTOR MUST BE ALIGNED AS SHOWN ABOVE.
 2. PINS ARE WIRED STRAIGHT THROUGH.
 3. FINISH: NICKEL PLATED BRIGHT.
 4. INTERNAL TOOTH LOCK WASHER AND HEX NUT INCLUDED.
 5. ADAPTOR SHALL BE TESTED FOR CONTINUITY.
 6. ADAPTOR SHALL BE INDIVIDUALLY PACKAGED IN ACCORDANCE WITH L-COM SPECIFICATION PS-0031.

REGULATORY COMPLIANCE:
CE2011/65/EU (RoHS DIRECTIVE)

UNLESS OTHERWISE SPECIFIED, DIMENSIONS ARE IN INCHES [mm] OVERALL CABLE LENGTH TOLERANCE: ≤12 [305] = +1 [25] / -0 >12 [305] ≤60 [1524] = +2 [51] / -0 >60 [1524] ≤120 [3048] = +4 [102] / -0 >120 [3048] ≤300 [7620] = +6 [152] / -0 >300 [7620] = +5% / -0%	APPROVALS	DATE		45 BEECHWOOD DRIVE NORTH ANDOVER, MA 01845
	DRAWN BY R. CARRICK	5/31/00		
ALL OTHER DIMENSIONAL TOLERANCES: .X = ± .2 [5.08] .XX = ± .02 [5.1] .XXX = ± .005 [1.3]	CHECKED BY D. PARHAM	6/6/00	CATEGORY I/O PRODUCTS	
	APPROVED BY R. CARRICK	6/7/00	PRODUCT DESCRIPTION ADPT, MINI-DIN 8 F/F BULKHEAD	
PROJECTION 	COLOR VARIATIONS MAY OCCUR	SIZE A	FSCM NO. 43321	DWG. NO. MD88FF
		SCALE: NONE	CAD FILE: MD88FF.SLDDRW	SHEET 1 OF 1