

SMP Plug Right Angle Non-Magnetic Connector
Crimp/Solder Attachment for RG316



LCCN45885

Configuration

- SMP Plug Connector
- 50 Ohms
- Right Angle Body Geometry
- RG316 Interface Type
- Crimp/Solder Attachment
- Non-Magnetic Design

Features

- Max. Operating Frequency 6 GHz
- Excellent VSWR of 1.2:1
- Gold over Copper Plated Bronze Contact
- Blind Mate Connector
- Magnetic Susceptibility 10^{-5}

Applications

- General Purpose Test
- Custom Cable Assemblies
- Medical
- Military and Aerospace
- Quantum Computing

Description

SMP Non-Magnetic Right Angle Plug Solder type Connector LCCN45885 from L-Com is in stock at our warehouse and ready to ship on the same-day of your order. The LCCN45885 is a SMP Non-magnetic right-angle plug solder type Connector compatible with RG316. These Non-Magnetic Connector frequency ranges from 0-6 GHz with 50 Ohms impedance.

Our RF coaxial connector specialists are available to answer any questions or concerns you have on the LCCN45885 SMP Plug Right Angle Non-Magnetic Connector. Our Non-magnetic connectors have a susceptibility of around 10^{-5} , as opposed to 10^{-2} for standard connectors made of brass/nickel materials. As a result, our non-magnetic connectors are transparent to the magnetic field, which means no field distortion and a higher Signal-to-Noise Ratio (SNR).

Contact L-Com's expert technical support for assistance with the SMP Non-Magnetic right angle plug solder type Connector or any RF coaxial cable connectors or cable assemblies. Download our LCCN45885 datasheet with specifications and CAD drawing with dimensions for details. Our knowledgeable sales team simplifies the purchasing process and ensures that your SMP Non-magnetic RF coaxial connector will be exact to your specifications. The target audience for the right-angle coaxial plug is for quantum computing, the military and aerospace industries as well as the medical industry including MRI and patient monitoring devices.

The LCCN45885 connector from L-Com uses a dedicated manufacturing process and raw material selection to guarantee the low magnetic susceptibility level of the connectors. The SMP right angle RF coax connector is available now from L-Com. We have no MOQ (minimum order quantity) and the connector ships the very same day from our warehouse.

Electrical Specifications

| Description | Minimum | Typical | Maximum | Units |
|--------------------------------------|---------|---------|---------|-------|
| Frequency Range | DC | | 6 | GHz |
| VSWR | | | 1.2:1 | |
| Operating Voltage (AC) | | | 170 | Vrms |
| Dielectric Withstanding Voltage (AC) | | | 500 | Vrms |
| Insulation Resistance | 1,000 | | | MOhms |

Click the following link (or enter part number in "SEARCH" on website) to obtain additional part information including price, inventory and certifications:
[SMP Plug Right Angle Non-Magnetic Connector Crimp/Solder Attachment for RG316 LCCN45885](#)

SMP Plug Right Angle Non-Magnetic Connector
Crimp/Solder Attachment for RG316



LCCN45885

Mechanical Specifications

Size

| | |
|---------------|----------------------|
| Length | 11.90 in [302.26 mm] |
| Width | 8.60 in [218.44 mm] |
| Height | 8.60 in [218.44 mm] |
| Weight | 0.00 lbs [0.91 g] |
| Mating Cycles | 500 Cycles |

Material Specifications

| Description | Material | Plating |
|-------------|----------|-----------------------|
| Contact | Bronze | Gold over Copper |
| Body | Bronze | Copper-Tin-Zinc Alloy |

Environmental Specifications

Temperature

| | |
|-----------------|-----------------------|
| Operating Range | -55deg C to +125deg C |
|-----------------|-----------------------|

Click the following link (or enter part number in "SEARCH" on website) to obtain additional part information including price, inventory and certifications:
[SMP Plug Right Angle Non-Magnetic Connector Crimp/Solder Attachment for RG316 LCCN45885](#)

SMP Plug Right Angle Non-Magnetic Connector
Crimp/Solder Attachment for RG316



LCCN45885

Compliance Certifications (see [product page](#) for current document)

Plotted and Other Data

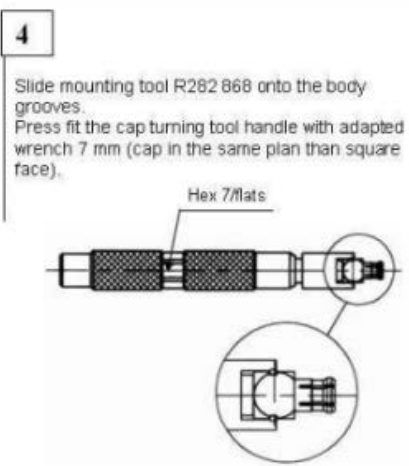
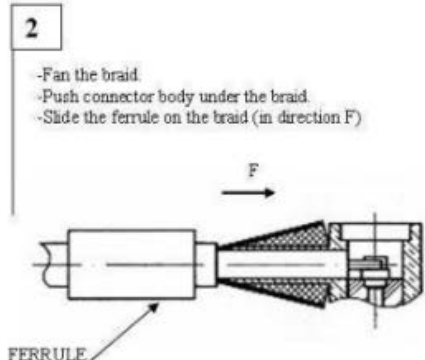
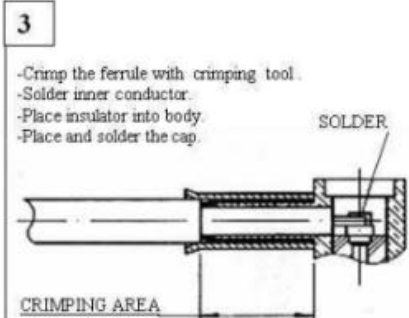
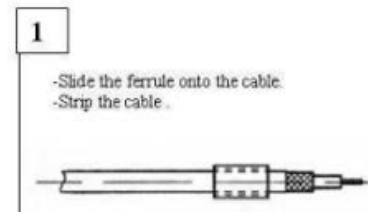
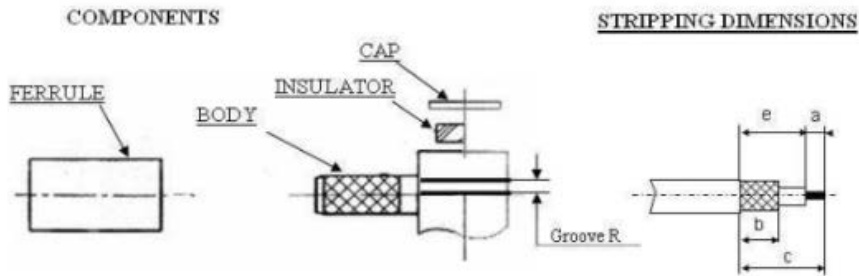
Assembly Instruction

Click the following link (or enter part number in "SEARCH" on website) to obtain additional part information including price, inventory and certifications:
[SMP Plug Right Angle Non-Magnetic Connector Crimp/Solder Attachment for RG316 LCCN45885](#)

SMP Plug Right Angle Non-Magnetic Connector
Crimp/Solder Attachment for RG316



LCCN45885



Click the following link (or enter part number in "SEARCH" on website) to obtain additional part information including price, inventory and certifications:
[SMP Plug Right Angle Non-Magnetic Connector Crimp/Solder Attachment for RG316 LCCN45885](#)

SMP Plug Right Angle Non-Magnetic Connector
Crimp/Solder Attachment for RG316



LCCN45885

SMP Plug Right Angle Non-Magnetic Connector Crimp/Solder Attachment for RG316 from L-com has same day shipment for domestic and International orders. Our portfolio includes coaxial cable assemblies, connectors, adapters and custom products as well as lightning and surge protectors, NEMA rated enclosures, and an RF product line which includes antennas, amplifiers, passive, and active components. Click the following link (or enter part number in "SEARCH" on website) to obtain additional part information including price, inventory and certifications: SMP Plug Right Angle Non-Magnetic Connector Crimp/Solder Attachment for RG316 LCCN45885

URL: <https://www.l-com.com/mcx-plug-right-angle-non-magnetic-connector-crimp-solder-attachment-rg316-lccn45885-p.aspx>

The information contained within this document is accurate to the best of our knowledge and representative of the part described herein. It may be necessary to make modifications to the part and/or the documentation of the part in order to implement improvements. L-com reserves the right to make such changes as required. Unless otherwise stated, all specifications are nominal. L-com does not make any representation or warranty regarding the suitability of the part described herein for any particular purpose, and L-com does not assume liability arising out of the use of any part or document. The information contained within this document is accurate to the best of our knowledge and representative of the part described herein. It may be necessary to make modifications to the part and/or the documentation of the part in order to implement improvements. L-com reserves the right to make such changes as required. Unless otherwise stated, all specifications are nominal. L-com does not make any representation or warranty regarding the suitability of the part described herein for any particular purpose, and L-com does not assume liability arising out of the use of any part or document.

SMP Plug Right Angle Non-Magnetic Connector Crimp/Solder Attachment for RG316

L-com CAD Drawing

