

4.3-10 Female Straight Low PIM Coaxial Connector,  
LC141TB, LC141TBJ, 6 GHz, 50 Ohms, Solder/Solder



**LCCN3221**

**Configuration**

- 4.3-10 Female Connector
- 50 Ohms
- Straight Body Geometry
- LC141TB, LC141TBJ, RG402 Interface Type
- Solder/Solder Attachment
- Low PIM Design

**Description**

The L-com LCCN3221 is 4.3-10 Female low PIM coaxial connector which has excellent low passive intermodulation performance providing user strong signals with more bandwidth. This radio frequency connector operates at 6 GHz maximum frequency. This RF connector is Threaded to fasten easily with Straight body style making it the right choice for RF interconnect applications.

L-com's 4.3-10 low PIM coaxial connector has a Brass body insulated with excellent dielectric PTFE material making it sturdy and durable. This connector comes with Bronze Contact material and coupling nut with Silver plating. The coaxial connector has LC141TB interface type that ensures easy installation with hand formable coaxial cables. This RF connector has an operating temperature range from -40 deg C to 155 deg C.

The LCCN3221 coaxial connector with Solder/Solder attachment method offers fully customizable configurations and lengths fulfilling customer requirements. The use of standardized 50 Ohms impedance with 0.8 Inch hex size coupling makes RF low PIM coaxial connector design much more practical and efficient. L-com's low PIM connector is designed to conform RoHS and Reach compliances making it the most trusted and reliable product.

The LCCN3221 coaxial connector from L-com is in stock and available for same-day shipping. This low PIM coaxial connector with 50 Ohms impedance is ideal for typical applications such as cable assemblies with PIM requirements, wireless deployments, and to connect system components including antennas, amplifiers, and switches. For further information on similar products, our expert technical support and trained sales team can get you to the perfect 4.3-10 Female RF low PIM coaxial connector as per your requirement.

**Electrical Specifications**

Description	Minimum	Typical	Maximum	Units
Frequency Range	DC		6	GHz
Passive Intermodulation			-160	dBC
Dielectric Withstanding Voltage (AC)			750	Vrms

**Performance by Frequency**

Description	F1	F2	F3	F4	F5	Units
Frequency Range	DC to 3	3 to 6				GHz
VSWR, Max	1.2:1	1.35:1				

Click the following link (or enter part number in "SEARCH" on website) to obtain additional part information including price, inventory and certifications:  
[4.3-10 Female Straight Low PIM Coaxial Connector, LC141TB, LC141TBJ, 6 GHz, 50 Ohms, Solder/Solder LCCN3221](#)

4.3-10 Female Straight Low PIM Coaxial Connector,  
LC141TB, LC141TBJ, 6 GHz, 50 Ohms, Solder/Solder



## LCCN3221

### Mechanical Specifications

#### Size

Length	1.17in	[29.72mm]
Width/Dia.	0.81in	[20.57mm]
Height	0.81in	[20.57mm]
Weight	0.065lbs	[29.48g]

### Material Specifications

Description	Material	Plating
Contact	Bronze	Silver
Insulation	PTFE	
Outer Conductor	Bronze	Tri-Metal
Body	Brass	Tri-Metal

### Environmental Specifications

#### Temperature

Operating Range -40deg C to +155deg C

**Compliance Certifications** (see [product page](#) for current document)

### Plotted and Other Data

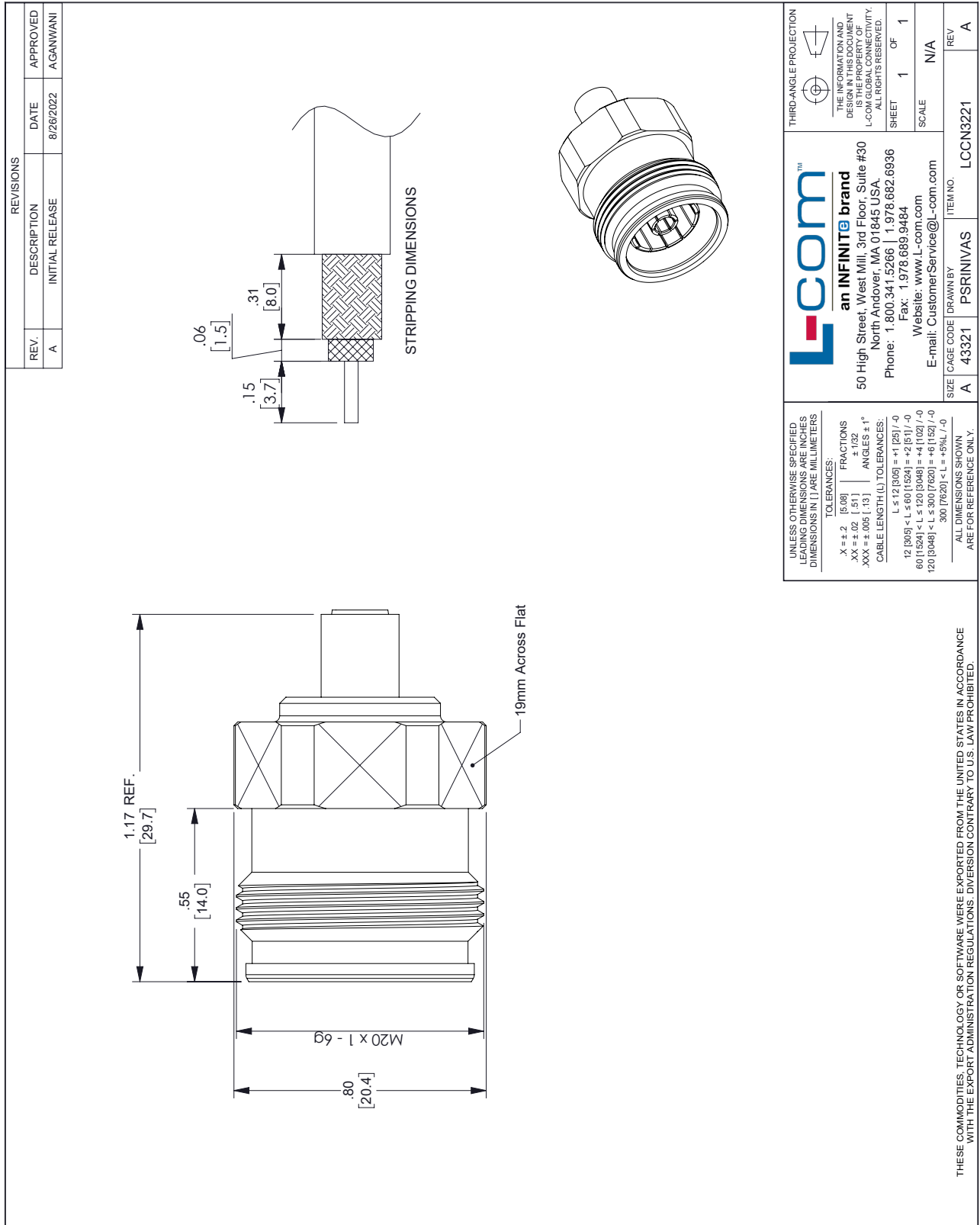
4.3-10 Female Straight Low PIM Coaxial Connector, LC141TB, LC141TBJ, 6 GHz, 50 Ohms, Solder/Solder from L-com has same day shipment for domestic and International orders. Our portfolio includes coaxial cable assemblies, connectors, adapters and custom products as well as lightning and surge protectors, NEMA rated enclosures, and an RF product line which includes antennas, amplifiers, passive, and active components. Click the following link (or enter part number in "SEARCH" on website) to obtain additional part information including price, inventory and certifications: 4.3-10 Female Straight Low PIM Coaxial Connector, LC141TB, LC141TBJ, 6 GHz, 50 Ohms, Solder/Solder LCCN3221

URL: <https://www.l-com.com/4.3-10-female-straight-low-pim-coaxial-connector-lc141tb-lc141tbj-6-ghz-50-ohms-solder-solder-lccn3221-p.aspx>

The information contained within this document is accurate to the best of our knowledge and representative of the part described herein. It may be necessary to make modifications to the part and/or the documentation of the part in order to implement improvements. L-com reserves the right to make such changes as required. Unless otherwise stated, all specifications are nominal. L-com does not make any representation or warranty regarding the suitability of the part described herein for any particular purpose, and L-com does not assume liability arising out of the use of any part or document. The information contained within this document is accurate to the best of our knowledge and representative of the part described herein. It may be necessary to make modifications to the part and/or the documentation of the part in order to implement improvements. L-com reserves the right to make such changes as required. Unless otherwise stated, all specifications are nominal. L-com does not make any representation or warranty regarding the suitability of the part described herein for any particular purpose, and L-com does not assume liability arising out of the use of any part or document.

4.3-10 Female Straight Low PIM Coaxial Connector, LC141TB, LC141TBJ, 6 GHz, 50 Ohms, Solder/Solder

L-com CAD Drawing



UNLESS OTHERWISE SPECIFIED LEADING DIMENSIONS ARE INCHES DIMENSIONS IN [ ] ARE MILLIMETERS

TOLERANCES:

.X = ±.2 [5.08]	FRACTIONS
.XX = ±.02 [ .51]	± 1/32
.XXX = ±.005 [ .13]	ANGLES ± 1°

CABLE LENGTH (L) TOLERANCES:

L ≤ 12 [305]	± 1 [25] / -0
12 [305] < L ≤ 60 [1524]	± 2 [51] / -0
60 [1524] < L ≤ 120 [3048]	± 4 [102] / -0
120 [3048] < L ≤ 300 [7620]	± 6 [152] / -0
300 [7620] < L ≤ ∞	± 5% [ -0

ALL DIMENSIONS SHOWN ARE FOR REFERENCE ONLY.

THIRD-ANGLE PROJECTION

THE INFORMATION AND DESIGN ARE THE PROPERTY OF L-COM GLOBAL CONNECTIVITY. ALL RIGHTS RESERVED.

SHEET 1 OF 1

SCALE N/A

an INFINIT<sup>®</sup> brand  
 50 High Street, West Mill, 3rd Floor, Suite #30  
 North Andover, MA 01845, USA.  
 Phone: 1.800.341.5266 | 1.978.682.6936  
 Fax: 1.978.689.9484  
 Website: www.L-com.com  
 E-mail: CustomerService@L-com.com

SIZE	CAGE CODE	DRAWN BY	ITEM NO.
A	43321	PSRINIVAS	LCCN3221

REV A

THESE COMMODITIES, TECHNOLOGY OR SOFTWARE WERE EXPORTED FROM THE UNITED STATES IN ACCORDANCE WITH THE EXPORT ADMINISTRATION REGULATIONS. DIVERSION CONTRARY TO U.S. LAW PROHIBITED.

T-Rev.D