

SMA Male to SMA Male Right Angle Cable Assembly using LC085TBJ Coax, 3 FT



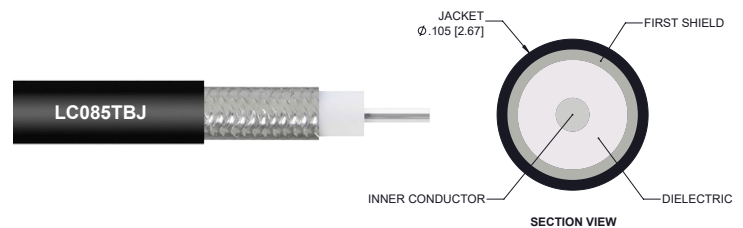
LCCA30132-FT3

Configuration

- Connector 1: SMA Male
- Connector 2: SMA Male Right Angle
- Cable Type: LC085TBJ
- Coax Flex Type: Formable

Features

- Max Frequency 10 GHz
- Shielding Effectivity > 100dB
- PTFE Dielectric with 69.5% VoP
- Hand Formable
- Tin Filled Copper Composite Braid Outer Conductor
- FEP Jacket



Applications

- General Purpose
- Laboratory Use
- System Interconnect

Description

L-com's LCCA30132-FT3 is a SMA male to SMA male right angle cable assembly using LC085TBJ coax, 3 FT and ships same-day. The LC085TBJ coax of this SMA cable uses the PTFE dielectric with a VoP of 69.5%. These formable RF cable assemblies are a great alternative to expensive semi-rigid assemblies because they can be hand formed to fit specific designs. Our L-com SMA to SMA cable assembly has a male to male gender configuration with formable LC085TBJ series coax and operates to 10 GHz. The jacketed tinned copper composite braid outer conductor is easily formed by hand with an overall diameter of 0.105 inches and excellent shielding effectiveness greater than 100dB. This right angle SMA cable interface on the LC085TBJ coax allows for easier connections in tight spaces.

Custom versions of this SMA male to SMA male cable, along with the rest of L-com's other RF assemblies, can also be built and shipped same day. Other available RF cable assembly value added services from L-com include connector orientation or clocking, heat shrink booting and custom labeling. RF testing can also be performed to document the electrical performance of your cable assembly. Contact a sales representative for testing or custom RF cable quotes. Part number LCCA30132-FT3 L-com SMA Male to SMA Male Right Angle Cable Assembly using LC085TBJ Coax, 3 FT data sheet PDF includes details of the RF product specifications, CAD drawing(s) and dimensions below.

Electrical Specifications

Description	Minimum	Typical	Maximum	Units
Frequency Range	DC		10	GHz
Velocity of Propagation		69.5		%
RF Shielding	100			dB
Group Delay		1.43 [4.69]		ns/ft [ns/m]
Capacitance		29.4 [96.46]		pF/ft [pF/m]
DC Resistance Inner Conductor		65.7 [215.55]		Ohms/1000ft [Ohms/Km]
DC Resistance Outer Conductor		10.2 [33.46]		Ohms/1000ft [Ohms/Km]

SMA Male to SMA Male Right Angle Cable
Assembly using LC085TBJ Coax, 3 FT



LCCA30132-FT3

Electrical Specifications

Description	Minimum	Typical	Maximum	Units
Operating Voltage (AC)			1,500	Vrms

Specifications by Frequency

Description	F1	F2	F3	F4	F5	Units
Frequency	0.5	1	2.5	5	10	GHz
Insertion Loss (Max.)	0.75	0.98	1.35	1.95	2.74	dB

Electrical Specification Notes:

The Insertion Loss data above is based on the performance specifications of the coax cable and connectors used in this assembly. The Insertion Loss is estimated as 0.1 dB per straight connector and 0.2 dB per right angle connector.

Mechanical Specifications

Cable Assembly

Width/Diameter 0.105 in [2.67 mm]

Cable

Cable Type LC085TBJ
 Impedance 50 Ohms
 Inner Conductor Type Solid
 Inner Conductor Material and Plating Copper Clad Steel, Silver
 Dielectric Type PTFE
 Number of Shields 0
 Outer Conductor 1 Material and Plating Tinned Copper Composite Braid
 Outer Conductor Diameter 0.085 in [2.16 mm]
 Jacket Material FEP
 Jacket Diameter 0.105 in [2.67 mm]
 One Time Minimum Bend Radius 0.5 in [12.7 mm]
 Repeated Minimum Bend Radius 0.787 in [19.99 mm]

SMA Male to SMA Male Right Angle Cable
Assembly using LC085TBJ Coax, 3 FT



LCCA30132-FT3

Connectors

Description	Connector 1	Connector 2
Type	SMA Male	SMA Male Right Angle
Impedance	50 Ohms	50 Ohms
Configuration	Straight	Right Angle
Contact Material and Plating	Brass, Gold over Nickel	Brass, Gold over Nickel
Contact Plating Specification		8 µin minimum
Dielectric Type	PTFE	PTFE
Body Material and Plating	Brass, Gold over Nickel	Brass, Gold over Nickel
Body Plating Specification		4 µin minimum
Coupling Nut Material and Plating	Passivated Stainless Steel	Passivated Stainless Steel
Hex Size	5/16 inch	5/16 inch
Torque	10 in-lbs 1.13 Nm	10 in-lbs 1.13 Nm

Environmental Specifications

Operating Range Temperature -55 to +125 deg C

Compliance Certifications (see [product page](#) for current document)

Plotted and Other Data

Notes:
Values at 25°C, sea level.

SMA Male to SMA Male Right Angle Cable Assembly using LC085TBJ Coax, 3 FT



LCCA30132-FT3

Typical Performance Data

How to Order

Part Number Configuration:

LCCA30132

- xx

uu

Unit of Measure:
cm = Centimeters
<blank> = Inches
Length
Base Number

Example: LCCA30132-12 = 12 inches long cable
LCCA30132-100cm = 100 cm long cable

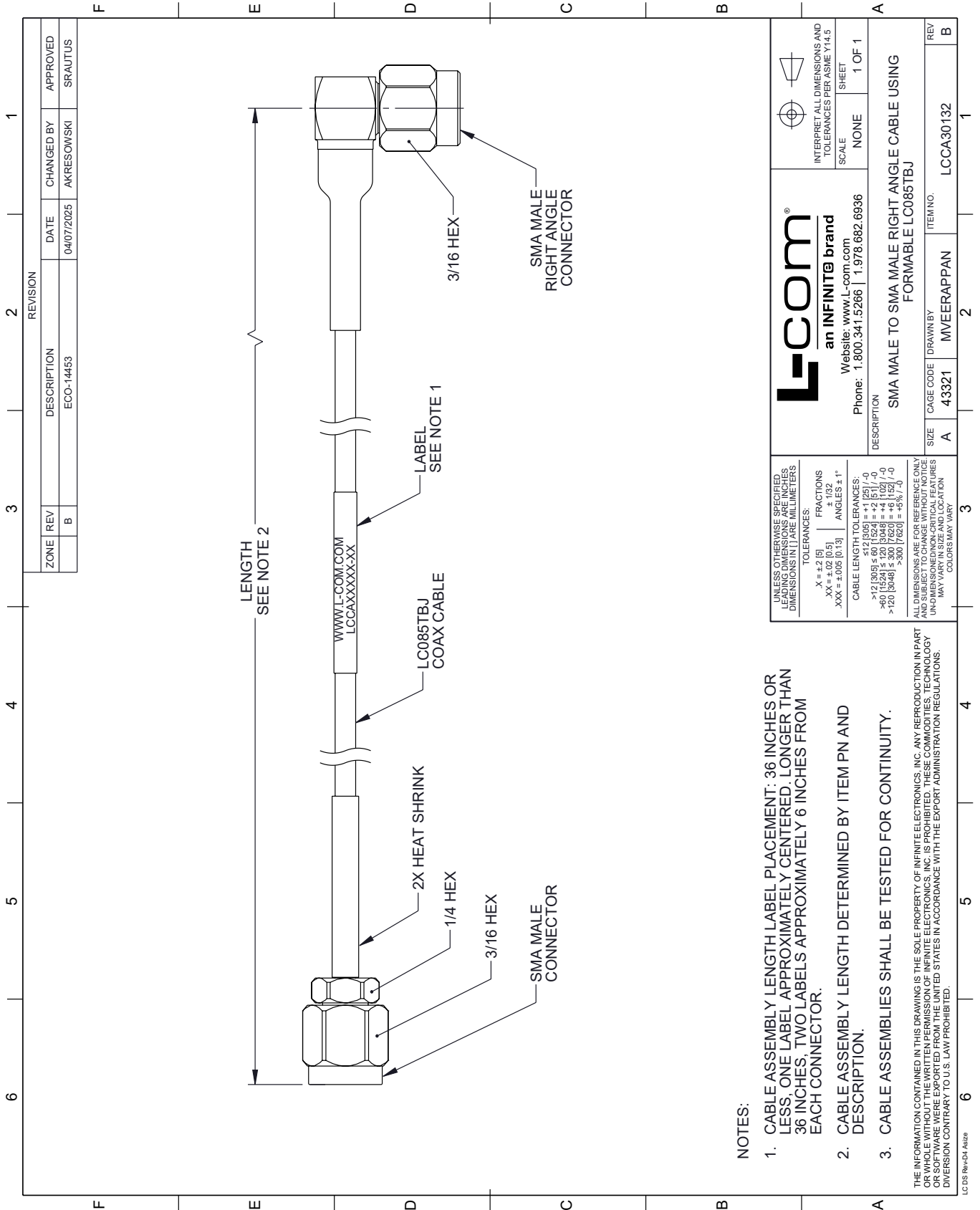
SMA Male to SMA Male Right Angle Cable Assembly using LC085TBJ Coax, 3 FT from L-com has same day shipment for domestic and International orders. Our portfolio includes coaxial cable assemblies, connectors, adapters and custom products as well as lightning and surge protectors, NEMA rated enclosures, and an RF product line which includes antennas, amplifiers, passive, and active components.

URL: <https://www.l-com.com/sma-male-sma-male-right-angle-cable-assembly-using-lc085tbj-coax-3-ft-lcca30132-ft3-p.aspx>

The information contained within this document is accurate to the best of our knowledge and representative of the part described herein. It may be necessary to make modifications to the part and/or the documentation of the part in order to impliment improvements. L-com reserves the right to make such changes as required. Unless otherwise stated, all specifications are nominal. L-com does not make any representation or warranty regarding the suitability of the part described herein for any particular purpose, and L-com does not assume liability arising out of the use of any part or document.

LCCA30132-FT3 CAD Drawing

SMA Male to SMA Male Right Angle Cable Assembly using LC085TBJ Coax, 3 FT



NOTES:

1. CABLE ASSEMBLY LENGTH LABEL PLACEMENT: 36 INCHES OR LESS, ONE LABEL APPROXIMATELY CENTERED, LONGER THAN 36 INCHES, TWO LABELS APPROXIMATELY 6 INCHES FROM EACH CONNECTOR.
2. CABLE ASSEMBLY LENGTH DETERMINED BY ITEM PN AND DESCRIPTION.
3. CABLE ASSEMBLIES SHALL BE TESTED FOR CONTINUITY.

THE INFORMATION CONTAINED IN THIS DRAWING IS THE SOLE PROPERTY OF INFINITE ELECTRONICS, INC. ANY REPRODUCTION IN PART OR WHOLE WITHOUT THE WRITTEN PERMISSION OF INFINITE ELECTRONICS, INC. IS PROHIBITED. THESE COMMODITIES, TECHNOLOGY OR SOFTWARE ARE EXPORTED FROM THE UNITED STATES IN ACCORDANCE WITH THE EXPORT ADMINISTRATION REGULATIONS. DIVERSION CONTRARY TO U.S. LAW PROHIBITED.

LC 05 Rev-D4 Asize

REVISION		DATE	CHANGED BY	APPROVED	
ZONE	REV	DESCRIPTION	ECO-14453	AKRESOWSKI	SRAUTUS
	B				

 an INFINITE brand Website: www.L-com.com Phone: 1.800.341.5266 1.978.682.6936		INTERPRET ALL DIMENSIONS AND TOLERANCES PER ASME Y14.5 SCALE: NONE SHEET: 1 OF 1
DESCRIPTION: SMA MALE TO SMA MALE RIGHT ANGLE CABLE USING FORMABLE LC085TBJ		
SIZE	CAGE CODE	ITEM NO.
A	43321	LCCA30132
DRAWN BY	REV	
MVEERAPPAN	B	

UNLESS OTHERWISE SPECIFIED, LEADING DIMENSIONS ARE IN INCHES, DIMENSIONS IN [] ARE MILLIMETERS.

TOLERANCES:
 .X = ±.2 [5]
 .XX = ±.02 [0.5]
 .XXX = ±.005 [0.13]

FRACTIONS:
 ± 1/32
 ANGLES ± 1°

CABLE LENGTH TOLERANCES:
 <math> < 12 [305] < 60 [1524] = +2 [51] / -0 </math>
 <math> > 60 [1524] < 120 [3048] = +4 [102] / -0 </math>
 <math> > 120 [3048] < 300 [7620] = +5 [127] / -0 </math>

ALL DIMENSIONS ARE FOR REFERENCE ONLY. UNDIMENSIONED NON-CRITICAL FEATURES MAY VARY IN SIZE AND LOCATION. COLORS MAY VARY.