



an INFINIT® brand



## 2W/20dB RF Fixed Attenuator, SMA Male to SMA Female Passivated Stainless Steel Body Up to 6 GHz

### RF Fixed Attenuators Technical Data Sheet

**LCAT1000-20**

#### Features

- SMA connector interface
- DC to 6 GHz Frequency Range
- Attenuation 20±0.5 dB
- Max Power 2 Watt (CW)
- VSWR < 1.3:1

#### Applications

- Instrumentation
- RF test systems
- Prototyping and characterization
- Production systems
- Precision measurements

#### Description

L-com carries a wide range of fixed attenuators with a broad selection of attenuation levels and frequency ranges. RF fixed attenuators lower the amplitude of a signal (attenuate) by specific amount and can be used in a wide variety of applications. These attenuators are used when signal levels need to be reduced to protect measurement equipment or other circuitry, to extend the range of power meters and amplifiers, and to impedance match circuits by reducing the VSWR seen by adjacent components. RF attenuators can prevent signal overload in amplifiers, receivers and detectors, adjusting the signal level to optimal power range.

Few RF components are as commonly used as fixed coaxial attenuators, and L-com carries one of the largest in-stock varieties and ships them same day. The 20 dB Fixed Attenuator LCAT1000-20 is rated to 2 Watts and operates from DC to 6 GHz. The versatile coaxial package uses SMA male to SMA female connectors and is also RoHS compliant.

#### Electrical Specifications

Description	Minimum	Typical	Maximum	Units
Frequency Range	DC		6	GHz
Impedance		50		Ohms
Nominal Attenuation		20		dB
Attenuation Accuracy		0.5		dB
VSWR			1.3:1	
Input Power, Peak 5µs pulse @ 0.01% duty cycle			200	Watts
Input Power, CW 10% @ 125°C FROM 25°C			2	Watts

#### Mechanical Specifications

##### Size

Length	1.03 in [26.16 mm]
Width/Diameter	0.312 in [7.92 mm]
Weight	0.01155 lbs [5.24 g]
Body Material and Plating	Passivated Stainless Steel

##### Configuration

Design	Fixed
--------	-------



an INFINIT® brand



## 2W/20dB RF Fixed Attenuator, SMA Male to SMA Female Passivated Stainless Steel Body Up to 6 GHz

### RF Fixed Attenuators Technical Data Sheet

LCAT1000-20

#### Connectors

Description	Connector 1	Connector 2
Type	SMA Male	SMA Female
Contact Material and Plating	Beryllium Copper, Gold	Beryllium Copper, Gold
Outer Conductor Material and Plating		Passivated Stainless Steel
Coupling Nut Material and Plating	Passivated Stainless Steel	
Hex Size	5/16 inch	
Body Material and Plating	Passivated Stainless Steel	Passivated Stainless Steel

#### Environmental Specifications

##### Temperature

Operating Range

-65 to +125 deg C

#### Compliance Certifications

#### Plotted and Other Data

Our portfolio includes coaxial cable assemblies, connectors, adapters and custom products as well as lightning and surge protectors, NEMA rated enclosures, and an RF product line which includes antennas, amplifiers, passive, and active components.

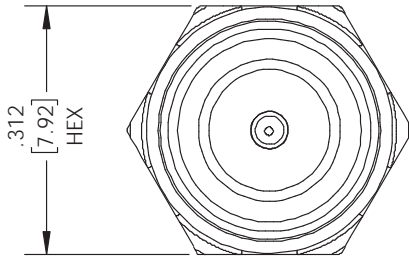
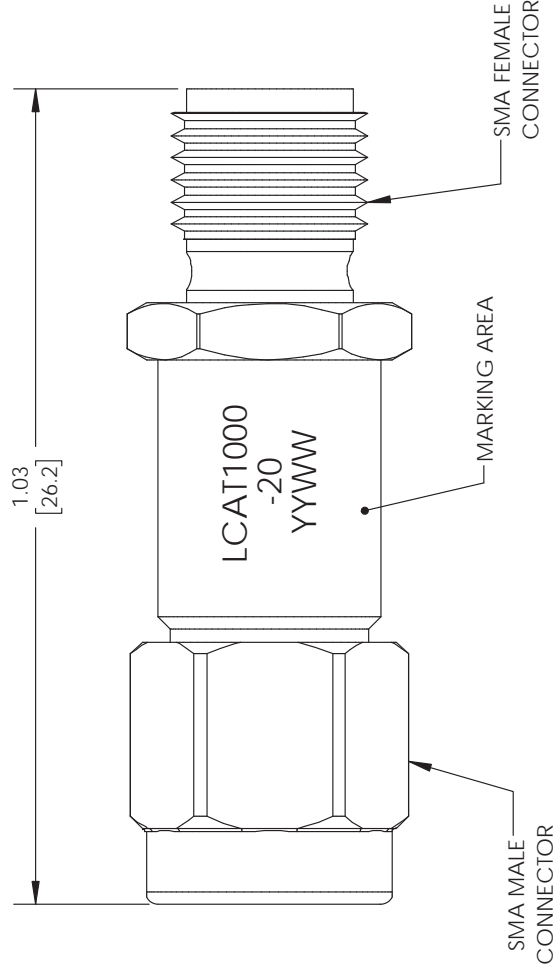
The information contained in this document is accurate to the best of our knowledge and representative of the part described herein. It may be necessary to make modifications to the part and/or the documentation of the part, in order to implement improvements. L-com reserves the right to make such changes as required. Unless otherwise stated, all specifications are nominal. L-com does not make any representation or warranty regarding the suitability of the part described herein for any particular purpose, and L-com does not assume any liability arising out of the use of any part or documentation.

# LCAT1000-20 CAD Drawing

## 2W/20dB RF Fixed Attenuator, SMA Male to SMA Female

### Passivated Stainless Steel Body Up to 6 GHz

REVISIONS		
REV.	DESCRIPTION	DATE
A	INITIAL RELEASE	05/23/2019
		APPROVED BPUCHASKI



<small>UNLESS OTHERWISE SPECIFIED LEADING DIMENSIONS ARE INCHES DIMENSIONS IN [ ] ARE MILLIMETERS</small>	<small>TOLERANCES:</small> X== 2 [5.08] .XX== .01 [.25] .XXX== .005 [.13]	<small>FRACTIONS</small> ± 1/32 <small>ANGLES ± 1°</small>	<small>ALL DIMENSIONS SHOWN ARE FOR REFERENCE ONLY.</small>	<small>THIRD ANGLE PROJECTION</small> 	<small>THE INFORMATION AND DESIGN NOTED HEREON IS THE PROPERTY OF L-COM GLOBAL CONNECTIVITY. ALL RIGHTS RESERVED.</small>
	<small>50 High Street, West Mill, 3rd Floor, Suite #30 North Andover, MA 01845 USA. Phone: 1.800.341.5266   1.978.682.6836 Fax: 1.978.689.9484 www.L-com.com   e-mail: CustomerService@L-com.com</small>	<small>SHEET</small> 1 OF 1  <small>SCALE</small> N/A			
<small>SIZE</small> A	<small>CAGE</small> 43321	<small>DRAWN BY</small> BPUCHASKI	<small>PART NUMBER</small> LCAT1000-20	<small>REV</small> A	<small>SCALE</small> N/A

THESE COMMODITIES, TECHNOLOGY OR SOFTWARE WERE EXPORTED FROM THE UNITED STATES IN ACCORDANCE WITH THE EXPORT ADMINISTRATION REGULATIONS. DIVERSION CONTRARY TO U.S. LAW PROHIBITED.

T-Rev.B