

2.4 to 7.125 GHz Rubber Duck Antenna SMA Male Tilt Swivel



LCANRBD1072

Features

- 2400 MHz to 7125 MHz
- 3 dBi Gain
- SMA Male connector
- Tilt/Swivel
- VSWR 3.5:1
- Linear polarization

Applications

- WLAN
- WiFi 6E
- WiFi 6
- WiFi 5
- WiFi 4
- U-NII 1-4, 5-8
- 802.11b/g/n/ac
- Fixed and Mobile Devices

Description

The LCANRBD1072 is a high-quality multi-band rubber duck antenna with 3 dBi nominal gain and has a frequency range of 2400 MHz to 7125 MHz. L-com's omnidirectional tilt/swivel rubber duck antenna is 2.81 inches tall and 0.4 inches wide.

The LCANRBD1072 rubber duck antenna from L-com features a SMA Male connector with an input VSWR (voltage standing wave ratio) of 3.5:1.

L-com's linearly polarized antenna can operate at temperatures ranging from -40 °C to 60 °C. This multi-band rubber duck antenna is offered with expert technical support, PDF datasheets, and CAD drawings with dimensions and specifications.

Configuration

Design	Rubber Duck
Band Type	Multi
Radiation Pattern	Omni Directional
Polarization	Linear
Connector Type	SMA Male
Number of Ports	1

Electrical Specifications

Description	Minimum	Typical	Maximum	Units
Frequency Range	2,400		7,125	MHz
Input VSWR			3.5:1	
Impedance		50		Ohms
Gain		3		dBi

Specifications by Band

Description	Band 1	Band 2	Band 3	Band 4	Band 5	Units
Frequency	2.4 to 2.5	5.15 to 5.85	5.925 to 7.125			GHz

Mechanical Specifications

Radome Material	ABS
Size	
Length	2.81 in [71.37 mm]

2.4 to 7.125 GHz Rubber Duck Antenna SMA Male Tilt Swivel



LCANRBD1072

Width	0.4 in [10.16 mm]
Height	0.04 in [1.02 mm]
Weight	0.2 lbs [90.72 g]

Environmental Specifications

Temperature	
Operating Range	-20 to +70 deg C
Storage Range	-20 to +80 deg C

Compliance Certifications (see [product page](#) for current document)

Plotted and Other Data

Notes:

Typical Radiation Pattern

Appendix

Electrical Downtilt: Angle in the antenna's elevation pattern in which the maximum gain occurs.

Gain: Antenna's average gain.

Front to Back Ratio @ 180°±30°: Average difference between the antenna's maximum gain and the maximum gain in the antenna's back lobe over ±30° angles.

Cross-polarization Ratio (dB): Typical difference between the co-polarization and cross-polarization gain across the sector's 3 dB Beam Width.

Dedicated to serving the needs of the Wireless Internet Service Provider (WISP) market, KP Performance Antennas offers purpose built products that reliably perform in the field. KP Performance Antennas product line consists of Yagi, Grid, Omni, Dish and other style antennas that operate in the 900 MHz, 2.4 GHz, 3 GHz, and 5 GHz frequencies.

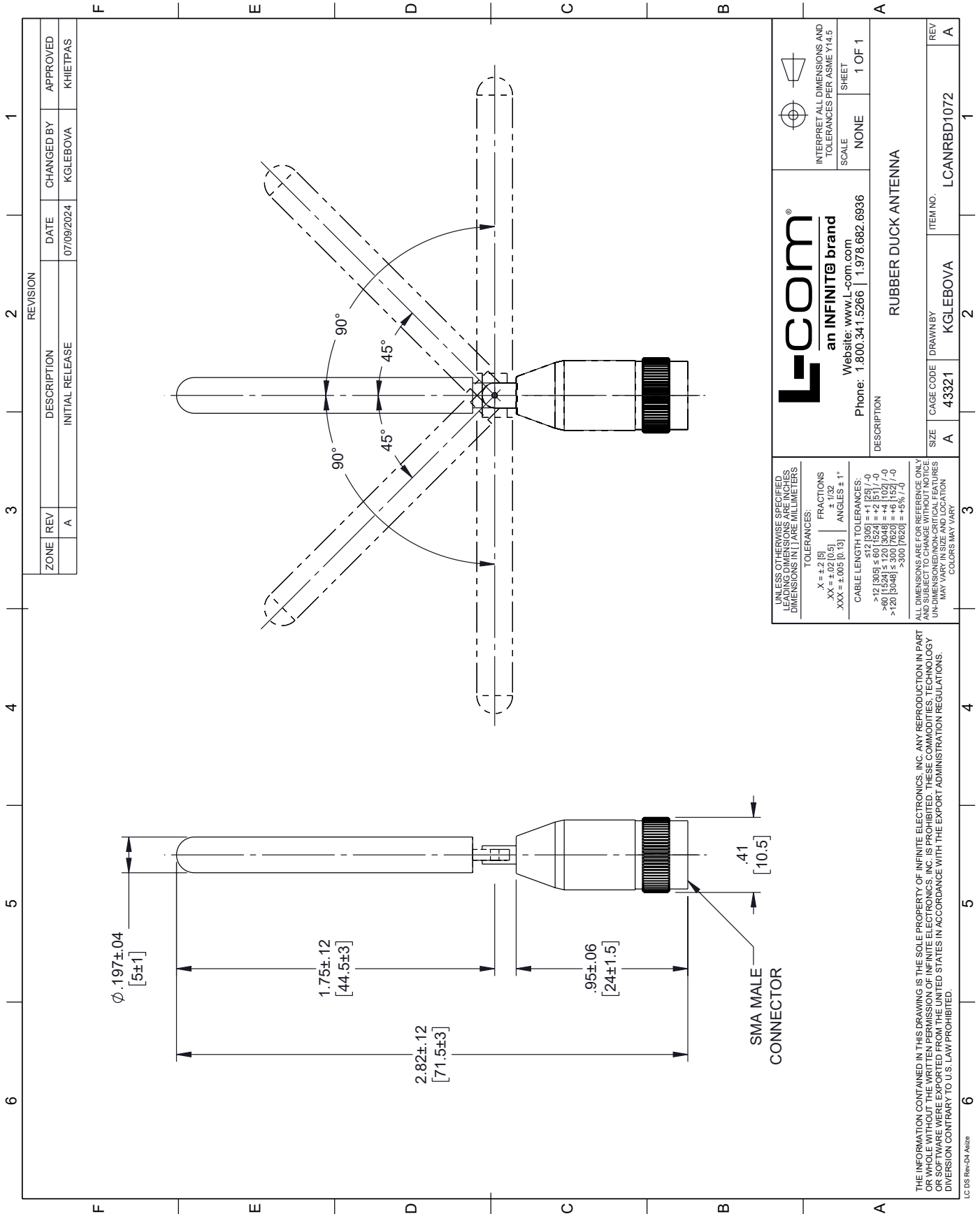
2.4 to 7.125 GHz Rubber Duck Antenna SMA Male Tilt Swivel from L-com has same day shipment for domestic and International orders. Our portfolio includes coaxial cable assemblies, connectors, adapters and custom products as well as lightning and surge protectors, NEMA rated enclosures, and an RF product line which includes antennas, amplifiers, passive, and active components.

URL: <https://www.l-com.com/2.4-7.125-ghz-rubber-duck-antenna-sma-male-tilt-swivel-lcanrbd1072-p.aspx>

The information contained within this document is accurate to the best of our knowledge and representative of the part described herein. It may be necessary to make modifications to the part and/or the documentation of the part in order to implement improvements. L-com reserves the right to make such changes as required. Unless otherwise stated, all specifications are nominal. L-com does not make any representation or warranty regarding the suitability of the part described herein for any particular purpose, and L-com does not assume liability arising out of the use of any part or document.

LCANRBD1072 CAD Drawing

2.4 to 7.125 GHz Rubber Duck Antenna SMA Male Tilt Swivel



ZONE		REV	DESCRIPTION	DATE	CHANGED BY	APPROVED
		A	INITIAL RELEASE	07/09/2024	KGLEBOVA	KHIETPAS

 an INFINITE brand Website: www.L-com.com Phone: 1.800.341.5266 1.978.682.6936		INTERPRET ALL DIMENSIONS AND TOLERANCES PER ASME Y14.5	
UNLESS OTHERWISE SPECIFIED LEADING DIMENSIONS ARE INCHES DIMENSIONS IN [] ARE MILLIMETERS		SCALE NONE SHEET 1 OF 1	
TOLERANCES: .X = ±.02 [0.5] .XX = ±.02 [0.5] .XXX = ±.005 [0.13]		NONE	
FRACTIONS ± 1/32 ANGLES ± 1°		SHEET 1 OF 1	
CABLE LENGTH TOLERANCES: >12 [305] ≤ 60 [1524] = +1 [25] / -0 >60 [1524] ≤ 120 [3048] = +4 [102] / -0 >120 [3048] ≤ 300 [7620] = +5 [127] / -0 >300 [7620] = +5 [127] / -0		RUBBER DUCK ANTENNA	
ALL DIMENSIONS ARE FOR REFERENCE ONLY. DIMENSIONS ON DIMENSION LINES TAKE PRECEDENCE OVER DIMENSIONS ON NON-CRITICAL FEATURES. UNDIMENSIONED NON-CRITICAL FEATURES MAY VARY IN SIZE AND LOCATION. COLORS MAY VARY.			
DESCRIPTION	SIZE	CAGE CODE	ITEM NO.
RUBBER DUCK ANTENNA	A	43321	LCANRBD1072
DRAWN BY			
KGLEBOVA			

THE INFORMATION CONTAINED IN THIS DRAWING IS THE SOLE PROPERTY OF INFINITE ELECTRONICS, INC. ANY REPRODUCTION IN PART OR WHOLE WITHOUT THE WRITTEN PERMISSION OF INFINITE ELECTRONICS, INC. IS PROHIBITED. THESE COMMODITIES, TECHNOLOGY OR SOFTWARE WERE EXPORTED FROM THE UNITED STATES IN ACCORDANCE WITH THE EXPORT ADMINISTRATION REGULATIONS. DIVERSION CONTRARY TO U.S. LAW PROHIBITED.

LC_DS_Rev-04_A12ze