

31.5 dBi Active GPS Magnet Mount Antenna
RHCP 1575 MHz, RG174 SMA Male IPX6



LCANGPS1012

Features

- SMA Male
- Right Hand Circular Polarized
- 28 dB LNA w/ low 1.5 dB Noise Figure
- Neodymium Rare-Earth Magnet
- IPX6 Rated

Applications

- GPS L1
- High Accuracy Global Positioning
- Precision Agriculture, Mining and Construction
- Law Enforcement and Public Safety
- Vehicle Fleet Management

Description

The L-com Active GNSS Antenna LCANGPS1012 is Right Hand Circular Polarized with an integrated Neodymium Rare Earth Magnet for a secure mount. The LCANGPS1012 is an active GPS L1 band antenna with 31.5 dBi Gain. These Magnet Mount active GNSS antenna units are ideally suited for use on vehicles where low profile, low drag, non-penetrating style antennas are needed.

Our GNSS antenna specialists are ready and available to answer any questions you may have on the LCANGPS1012. This high quality SMA male antenna meets GPS L1 requirements by operating in the 1574 MHz to 1577 MHz frequency range.

The LCANGPS1012 GNSS antenna series from L-com are designed for mobile, vehicle, or fleet services to receive GNSS signals from satellite constellations to triangulate geolocations for navigation, tracking, and surveying.

Configuration

Design	GPS Active
Band Type	Single
Polarization	RHCP
Cable Type	RG174
Connector Type	SMA Male
Number of Ports	1

Electrical Specifications

Description	Minimum	Typical	Maximum	Units
Frequency Range	1,574		1,577	MHz
Input VSWR			1.5:1	
Output VSWR			2:1	
Impedance		50		Ohms
Gain		31.5		dBi
Gain Variation		±5		
Noise Figure			1.5	
Operating DC Voltage	3		5	
Current	5.5	8.5	11.5	mA

31.5 dBi Active GPS Magnet Mount Antenna
RHCP 1575 MHz, RG174 SMA Male IPX6



LCANGPS1012

Specifications by Band

Description	Band 1	Band 2	Band 3	Band 4	Band 5	Units
Range	1.574 to 1.577					GHz
Center Frequency	1.575					GHz

Mechanical Specifications

Size

Length	1.5 in [38.1 mm]
Width	1.3 in [33.02 mm]
Height	0.5 in [12.7 mm]
Weight	0.14 lbs [63.5 g]

Environmental Specifications

Temperature

Ingress Protection	IPX6
--------------------	------

Compliance Certifications (see [product page](#) for current document)

Plotted and Other Data

Notes:

31.5 dBi Active GPS Magnet Mount Antenna RHCP 1575 MHz, RG174 SMA Male IPX6



LCANGPS1012

Typical Radiation Pattern

Appendix

Electrical Downtilt: Angle in the antenna's elevation pattern in which the maximum gain occurs.

Gain: Antenna's average gain.

Front to Back Ratio @ 180°±30°: Average difference between the antenna's maximum gain and the maximum gain in the antenna's back lobe over ±30° angles.

Cross-polarization Ratio (dB): Typical difference between the co-polarization and cross-polarization gain across the sector's 3 dB Beam Width.

Dedicated to serving the needs of the Wireless Internet Service Provider (WISP) market, KP Performance Antennas offers purpose built products that reliably perform in the field. KP Performance Antennas product line consists of Yagi, Grid, Omni, Dish and other style antennas that operate in the 900 MHz, 2.4 GHz, 3 GHz, and 5 GHz frequencies.

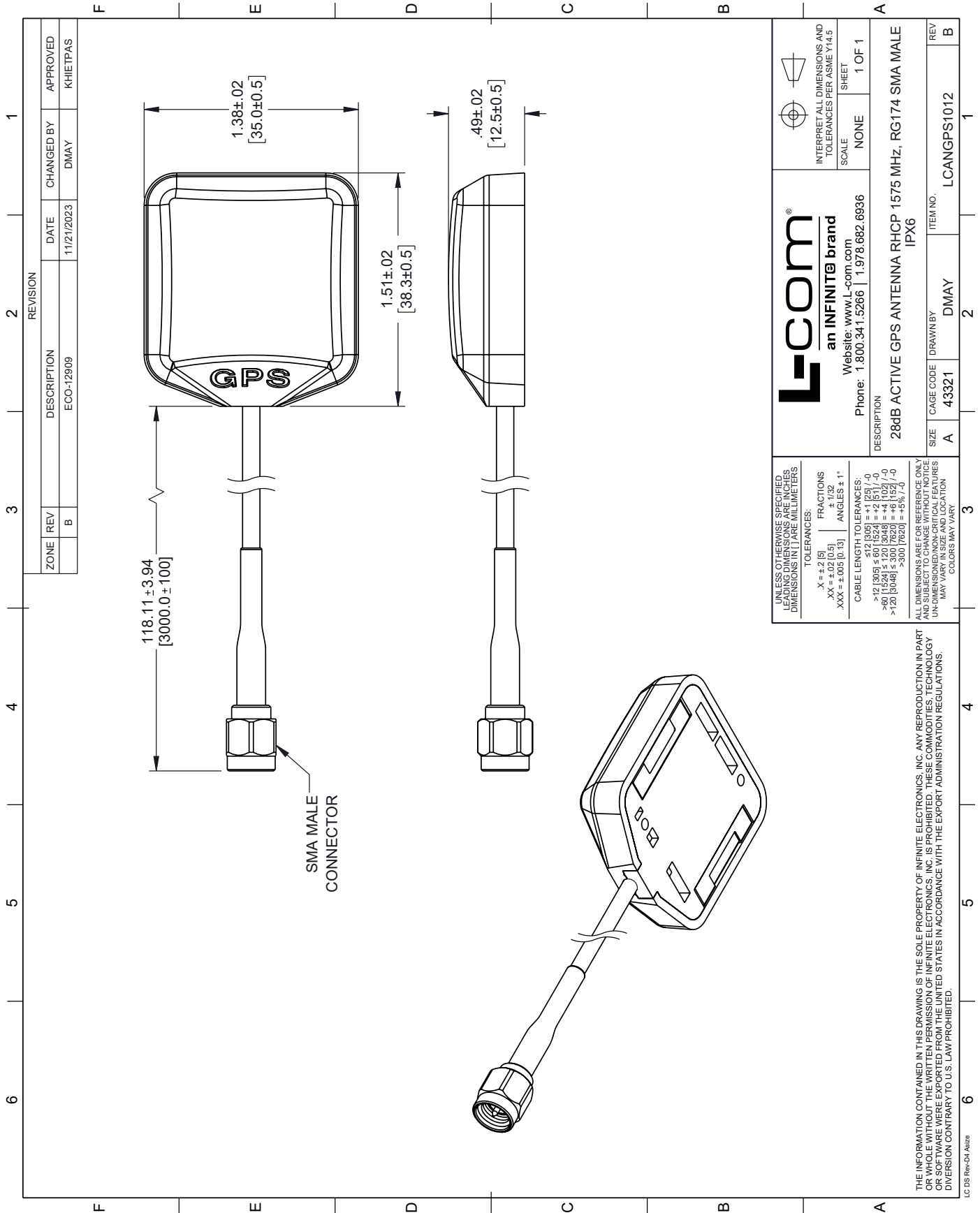
31.5 dBi Active GPS Magnet Mount Antenna RHCP 1575 MHz, RG174 SMA Male IPX6 from L-com has same day shipment for domestic and International orders. Our portfolio includes coaxial cable assemblies, connectors, adapters and custom products as well as lightning and surge protectors, NEMA rated enclosures, and an RF product line which includes antennas, amplifiers, passive, and active components.

URL: <https://www.l-com.com/31.5-dbi-active-gps-magnet-mount-antenna-rhcp-1575-mhz-rg174-sma-male-ipx6-lcangps1012-p.aspx>

The information contained within this document is accurate to the best of our knowledge and representative of the part described herein. It may be necessary to make modifications to the part and/or the documentation of the part in order to implement improvements. L-com reserves the right to make such changes as required. Unless otherwise stated, all specifications are nominal. L-com does not make any representation or warranty regarding the suitability of the part described herein for any particular purpose, and L-com does not assume liability arising out of the use of any part or document.

LCANGPS1012 CAD Drawing

31.5 dBi Active GPS Magnet Mount Antenna RHCP 1575 MHz, RG174 SMA Male IPX6



 L-com an INFINITE brand Website: www.L-com.com Phone: 1.800.341.5266 1.978.682.6936		INTERPRET ALL DIMENSIONS AND TOLERANCES PER ASME Y14.5 SCALE NONE SHEET 1 OF 1
DESCRIPTION 28dB ACTIVE GPS ANTENNA RHCP 1575 MHz, RG174 SMA MALE IPX6		
SIZE	CAGE CODE	ITEM NO.
A	43321	DMAY
DRAWN BY		REV
DMAY		B

UNLESS OTHERWISE SPECIFIED LEADING DIMENSIONS ARE INCHES DIMENSIONS IN [] ARE MILLIMETERS

TOLERANCES:
 .X = ±.2 [5] FRACTIONS ± 1/32
 .XX = ±.02 [0.5] ANGLES ± 1°
 .XXX = ±.005 [0.13]

CABLE LENGTH TOLERANCES:
 >12 [305] ≤ 60 [1524] = +2 [51] / -0
 >60 [1524] ≤ 120 [3048] = +4 [102] / -0
 >120 [3048] ≤ 300 [7620] = +5 [127] / -0
 >300 [7620] = +5 [127] / -0

ALL DIMENSIONS ARE FOR REFERENCE ONLY
 DIMENSIONS OF CRITICAL FEATURES
 UN-DIMENSIONED CRITICAL FEATURES
 MAY VARY IN SIZE AND LOCATION
 COLORS MAY VARY

THE INFORMATION CONTAINED IN THIS DRAWING IS THE SOLE PROPERTY OF INFINITE ELECTRONICS, INC. ANY REPRODUCTION IN PART OR WHOLE WITHOUT THE WRITTEN PERMISSION OF INFINITE ELECTRONICS, INC. IS PROHIBITED. THESE COMMODITIES, TECHNOLOGY OR SOFTWARE WERE EXPORTED FROM THE UNITED STATES IN ACCORDANCE WITH THE EXPORT ADMINISTRATION REGULATIONS. DIVERSION CONTRARY TO U.S. LAW PROHIBITED.

LC DS Rev-04 A12z