

Multi Band 41dBi Aviation GPS/GNSS Antenna 1,164-1,615 MHz TNC Female Connector IP67



LCANGPS1002

Features

- Multi Band
- IP67 Rated
- 1.164-1.3GHz and 1.525-1.615GHz
- Stable Phase Center
- Millimeter Level Accuracy
- TNC Female

Applications

- GPS L1/L2/L5
- GLONASS L1/L2/L3
- Galileo E1/E5a/E5b/E6
- BDS B1/B2/B3
- QZSS L1/L2/L5/L6
- SBAS L1/L5
- IRNSS L5
- Unmanned Vehicles/Vessels
- GIS Surveying
- Autonomous Vehicles

Description

The LCANGPS1002 is an active GPS/GNSS multi band L1/L2/L5 antenna with 41dBi overall gain. This high precision antenna is IP67 rated, light weight and designed for Aviation. The active Aviation GPS/GNSS antenna is ideally suited for use in harsh operating environments where stability and reliability of GPS/GNSS signal is required.

This antenna operates in the 1.164-1.3GHz and 1.525-1.615GHz bands meeting GPS L1/L2/L5, GALILEO E1/E5a/E5b/E6 and GLONASS L1/L2/L3 requirements. The LCANGPS1002 antenna has an integrated LNA with 2 dB noise figure and typical LNA gain of 36 dB.

The LCANGPS1002 GPS antenna from L-com, with an axial ratio of 3 dB, can track visible satellites under extreme conditions, providing positioning solutions with accuracy for UAV navigation, autonomous tracking, or GIS surveying.

Configuration

Design	GPS/GNSS
Band Type	Multi
Polarization	RHCP
Connector Type	TNC Female

Electrical Specifications

Description	Minimum	Typical	Maximum	Units
Frequency Range	1,164		1,615	MHz
Output VSWR			2:1	
Impedance		50		Ohms
Gain		41		dBi
Noise Figure		2		dB
Operating DC Voltage	3.3		12	Volts
Current			45	mA
Axial Ratio		3		dB

Click the following link (or enter part number in "SEARCH" on website) to obtain additional part information including price, inventory and certifications:
[Multi Band 41dBi Aviation GPS/GNSS Antenna 1,164-1,615 MHz TNC Female Connector IP67 LCANGPS1002](#)

Multi Band 41dBi Aviation GPS/GNSS Antenna 1,164-1,615 MHz TNC Female Connector IP67



LCANGPS1002

Specifications by Band

Description	Band 1	Band 2	Band 3	Band 4	Band 5	Units
Range	1.164 to 1.3	1.525 to 1.615				GHz
Gain	41	42				dBi

Mechanical Specifications

Mounting Application	4 M4 screws installation
Size	
Length	3.54 in [89.92 mm]
Width	1.08 in [27.43 mm]
Height	1.08 in [27.43 mm]
Weight	0.33 lbs [149.69 g]

Environmental Specifications

Temperature	
Operating Range	-40 to +85 deg C
Storage Range	-55 to +85 deg C
Humidity	95%
Ingress Protection	67

Compliance Certifications (see [product page](#) for current document)

Plotted and Other Data

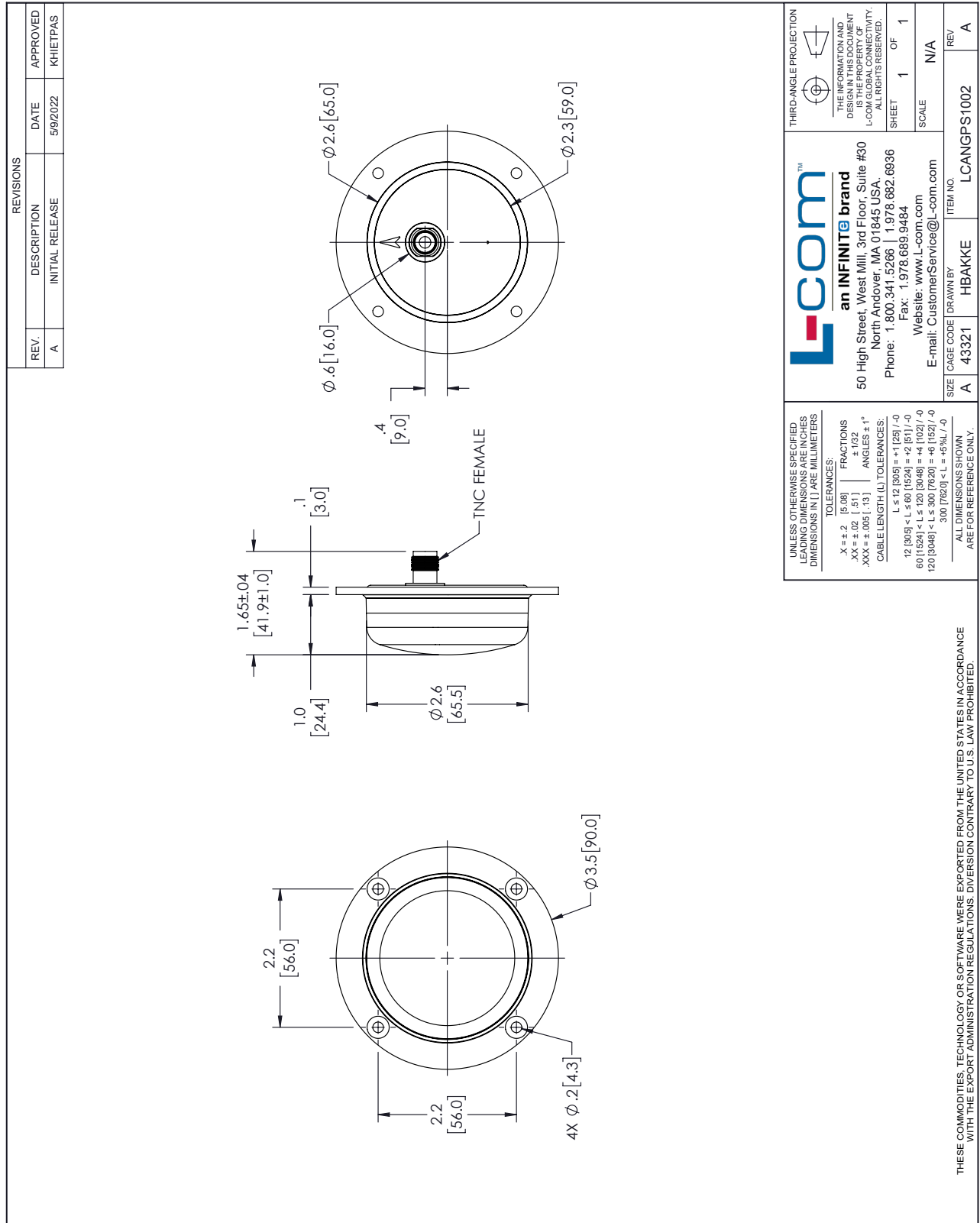
Notes:

Multi Band 41dBi Aviation GPS/GNSS Antenna 1,164-1,615 MHz TNC Female Connector IP67 from L-com has same day shipment for domestic and International orders. Our portfolio includes coaxial cable assemblies, connectors, adapters and custom products as well as lightning and surge protectors, NEMA rated enclosures, and an RF product line which includes antennas, amplifiers, passive, and active components.

The information contained within this document is accurate to the best of our knowledge and representative of the part described herein. It may be necessary to make modifications to the part and/or the documentation of the part in order to implement improvements. L-com reserves the right to make such changes as required. Unless otherwise stated, all specifications are nominal. L-com does not make any representation or warranty regarding the suitability of the part described herein for any particular purpose, and L-com does not assume liability arising out of the use of any part or document.

Multi Band 41dBi Aviation GPS/GNSS Antenna 1,164-1,615 MHz TNC Female Connector IP67

L-com CAD Drawing



UNLESS OTHERWISE SPECIFIED LEADING DIMENSIONS ARE IN INCHES DIMENSIONS IN [] ARE MILLIMETERS

TOLERANCES:

.X = ±.2 [5.08] FRACTIONS ± 1/32

.XX = ±.02 [.51] ANGLES ± 1°

.XXX = ±.005 [.13]

CABLE LENGTH (L) TOLERANCES:

L ≤ 12 [305] = +1 [25] / -0

12 [305] < L ≤ 60 [1524] = +2 [51] / -0

60 [1524] < L ≤ 120 [3048] = +4 [102] / -0

120 [3048] < L ≤ 300 [7620] = +6 [152] / -0

300 [7620] < L = +5%L / -0

ALL DIMENSIONS SHOWN ARE FOR REFERENCE ONLY.

THESE COMMODITIES, TECHNOLOGY OR SOFTWARE WERE EXPORTED FROM THE UNITED STATES IN ACCORDANCE WITH THE EXPORT ADMINISTRATION REGULATIONS. DIVERSION CONTRARY TO U.S. LAW PROHIBITED.

an INFINITE brand

50 High Street, West Mill, 3rd Floor, Suite #30
North Andover, MA 01845, USA.
Phone: 1.800.341.5266 | 1.978.682.6936
Fax: 1.978.689.9484
Website: www.L-com.com
E-mail: CustomerService@L-com.com