

902 to 928 MHz, RFID Flat Panel Antenna, 3 dBi Gain, Type N Male, EVA Radome, RHCP



## LCANFP1066

### Features

- High Performance Multi-tag read/write Capabilities
- Lightweight, Concealable Design
- Right Hand Circular Polarized
- 902 to 928 MHz Frequency Range
- 2 Meter Cable
- Type N Male Connector

### Applications

- Radio Frequency Identification
- Inventory Management
- Access Control
- Data Collection
- Asset Tracking
- Livestock Management

### Description

L-Com's LCANFP1066 is a RHCP RFID flat panel antenna. The LCANFP1066 with a 3 dBi gain nominal is a Directional antenna. Our 902 to 928 MHz antenna has N Male connector.

With an impedance of 50 Ohms and max input power of 20 Watts, the LCANFP1066 flat panel RHCP antenna is well suited for Radio Frequency Identification tag reading applications. This 902-928 MHz 3 dBi gain RFID antenna is highly directional providing the reader radio the capabilities of simultaneously reading a multitude of RFID tags with a high degree of accuracy.

L-Com's RFID LCANFP1066 has a radome made of EVA in Black color and comes from a facility certified to ISO 9001:2015. This N Male connected Antenna has an overall length of 11 in, width of 10 in, and weighs 0.4629 lbs. Use our on-line ordering system to purchase your LCANFP1066 RFID Directional RHCP antenna 24 hours a day with same-day shipping and no MOQs (minimum order quantities).

### Configuration

Design	Flat Panel
Application Band	RFID
Band Type	Single
Radiation Pattern	Directional
Polarization	RHCP
Cable Type	RG316
Connector Type	N Male
Lightning Protection	DC Grounded

### Electrical Specifications

Description	Minimum	Typical	Maximum	Units
Frequency Range	902		928	MHz
Input VSWR			1.5:1	
Impedance		50		Ohms
Gain		3		dBi
Front to Back Ratio	20			dB
Horizontal (Azimuth) HPBW		50		Degrees

Click the following link (or enter part number in "SEARCH" on website) to obtain additional part information including price, inventory and certifications:  
[902 to 928 MHz, RFID Flat Panel Antenna, 3 dBi Gain, Type N Male, EVA Radome, RHCP LCANFP1066](#)

902 to 928 MHz, RFID Flat Panel Antenna, 3 dBi Gain, Type N Male, EVA Radome, RHCP



## LCANFP1066

Vertical (Elevation) HPBW	62	Degrees
Input Power	20	Watts

### Mechanical Specifications

Radome Material	EVA
<b>Size</b>	
Length	11 in [279.4 mm]
Width	10 in [254 mm]
Height	0.19 in [4.83 mm]
Weight	0.4629 lbs [209.97 g]

### Connectors

Description	Connector 1	Connector 2	Connector 3
A	B	C	D
Body Material and Plating	Brass, Nickel		

### Environmental Specifications

<b>Temperature</b>	
Operating Range	-20 to +65 deg C

**Compliance Certifications** (see [product page](#) for current document)

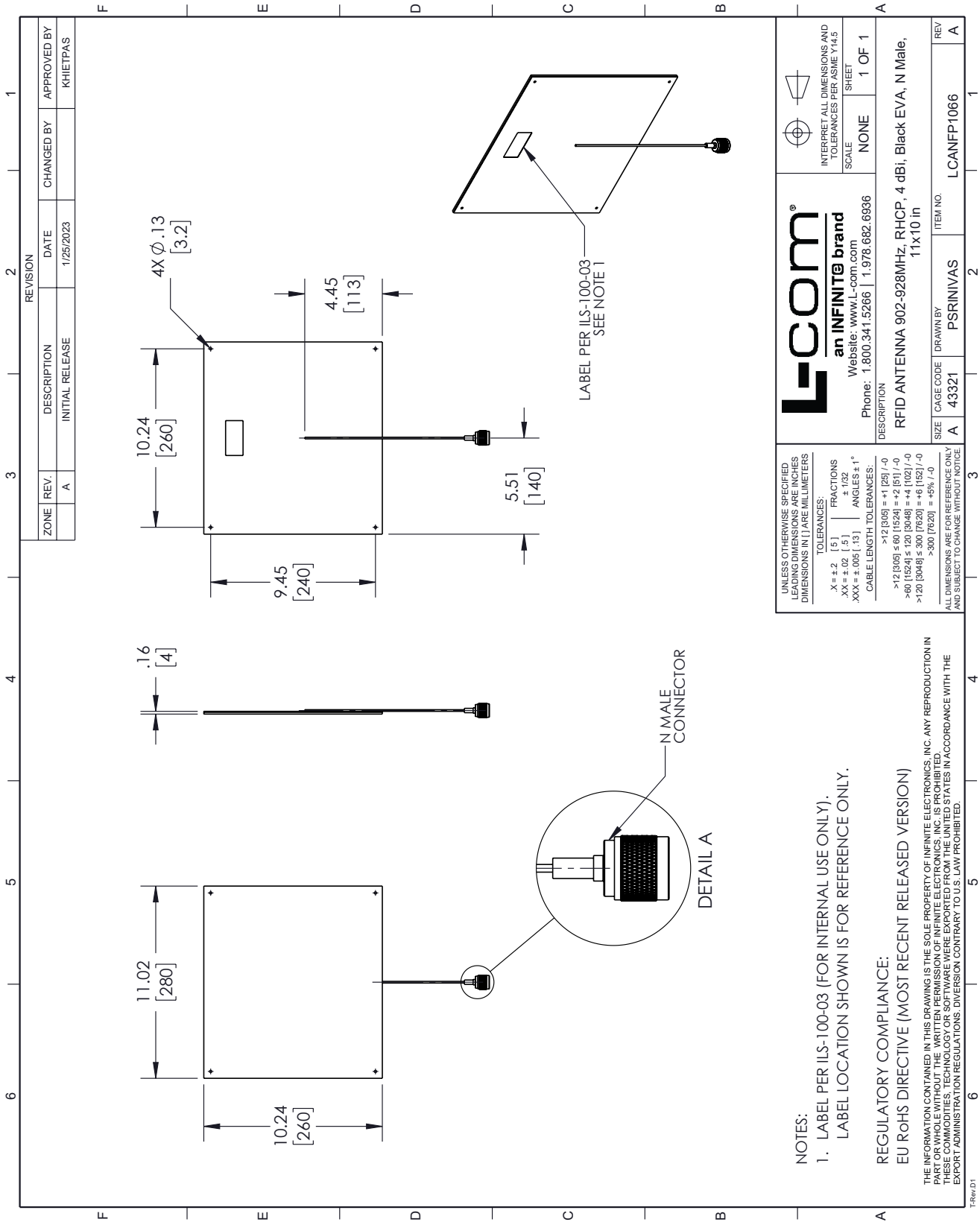
### Plotted and Other Data

Notes:

902 to 928 MHz, RFID Flat Panel Antenna, 3 dBi Gain, Type N Male, EVA Radome, RHCP from L-com has same day shipment for domestic and International orders. Our portfolio includes coaxial cable assemblies, connectors, adapters and custom products as well as lightning and surge protectors, NEMA rated enclosures, and an RF product line which includes antennas, amplifiers, passive, and active components.

The information contained within this document is accurate to the best of our knowledge and representative of the part described herein. It may be necessary to make modifications to the part and/or the documentation of the part in order to impliment improvements. L-com reserves the right to make such changes as required. Unless otherwise stated, all specifications are nominal. L-com does not make any representation or warranty regarding the suitability of the part described herein for any particular purpose, and L-com does not assume liability arising out of the use of any part or document.

L-com CAD Drawing



REVISION		DATE	APPROVED BY
ZONE	REV.	DESCRIPTION	CHANGED BY
	A	INITIAL RELEASE	KHIEPTAS
		1/25/2023	

**L-com**  
an INFINITE brand  
Website: www.l-com.com  
Phone: 1.800.341.5266 | 1.978.682.6936

INTERPRET ALL DIMENSIONS AND TOLERANCES PER ASME Y14.5  
SCALE: NONE  
SHEET: 1 OF 1

DESCRIPTION: RFID ANTENNA 902-928MHz, RHCP, 4 dBi, Black EVA, N Male, 11x10 in

SIZE	CAGE CODE	DRAWN BY	ITEM NO.
A	43321	PSRINIVAS	LCANFP1066

UNLESS OTHERWISE SPECIFIED LEADING DIMENSIONS ARE INCHES DIMENSIONS IN [ ] ARE MILLIMETERS

TOLERANCES:  
 .X = ±.2 [5]  
 .XX = ±.02 [.5]  
 .XXX = ±.005 [0.13]  
 FRACTIONS: ± 1/32  
 ANGLES: ± 1°  
 CABLE LENGTH TOLERANCES:  
 >12 [305] = +1 [25] / -0  
 >60 [1524] ≤ 60 [1524] = +2 [51] / -0  
 >60 [1524] ≤ 120 [3048] = +4 [102] / -0  
 >120 [3048] ≤ 300 [7620] = +6 [152] / -0  
 >300 [7620] = +5% / -0

ALL DIMENSIONS ARE FOR REFERENCE ONLY AND SUBJECT TO CHANGE WITHOUT NOTICE

NOTES:  
 1. LABEL PER ILS-100-03 (FOR INTERNAL USE ONLY). LABEL LOCATION SHOWN IS FOR REFERENCE ONLY.

REGULATORY COMPLIANCE:  
 EU RoHS DIRECTIVE (MOST RECENT RELEASED VERSION)

THE INFORMATION CONTAINED IN THIS DRAWING IS THE SOLE PROPERTY OF INFINITE ELECTRONICS, INC. ANY REPRODUCTION IN PART OR WHOLE WITHOUT THE WRITTEN PERMISSION OF INFINITE ELECTRONICS, INC. IS PROHIBITED. EXPORT ADMINISTRATION REGULATIONS: DIVERSION CONTRARY TO U.S. LAW PROHIBITED.