

902 to 928 MHz, RFID Flat Panel Antenna, 5 dBi Gain RP SMA Male, EVA Radome, RHCP



LCANFP1058

Features

- High Performance Multi-tag read/write Capabilities
- Lightweight, Concealable Design
- Right Hand Circular Polarized
- 902 to 928 MHz Frequency Range
- 2 Meter Cable
- RP SMA Male Connector

Applications

- Radio Frequency Identification
- Inventory Management
- Access Control
- Data Collection
- Asset Tracking
- Livestock Management

Description

L-Com's LCANFP1058 is a RHCP RFID flat panel antenna. The LCANFP1058 with a 5 dBi gain nominal is a Directional antenna. Our 902 to 928 MHz antenna has Reverse Polarity SMA Male connector.

With an impedance of 50 Ohms and max input power of 20 Watts, the LCANFP1058 flat panel RHCP antenna is well suited for Radio Frequency Identification tag reading applications. This 902-928 MHz 5 dBi gain RFID antenna is highly directional providing the reader radio the capabilities of simultaneously reading a multitude of RFID tags with a high degree of accuracy.

L-Com's RFID LCANFP1058 has a radome made of EVA in Black color and comes from a facility certified to ISO 9001:2015. This RP SMA Male connected antenna has an overall length of 20 in, width of 13.7 in, and weighs 1 lbs. Use our on-line ordering system to purchase your LCANFP1058 RFID Directional RHCP antenna 24 hours a day with same-day shipping and no MOQs (minimum order quantities).

Configuration

Design	Flat Panel
Application Band	RFID
Band Type	Single
Radiation Pattern	Directional
Polarization	RHCP
Cable Type	RG316
Connector Type	SMA Male Reverse Polarity
Connector Type Specification	MIL-STD-348
Lightning Protection	DC Grounded

Electrical Specifications

Description	Minimum	Typical	Maximum	Units
Frequency Range	902		928	MHz
Input VSWR			1.5:1	
Impedance		50		Ohms
Gain		5		dBi
Front to Back Ratio	20			dB

Click the following link (or enter part number in "SEARCH" on website) to obtain additional part information including price, inventory and certifications:
[902 to 928 MHz, RFID Flat Panel Antenna, 5 dBi Gain RP SMA Male, EVA Radome, RHCP LCANFP1058](#)

902 to 928 MHz, RFID Flat Panel Antenna, 5 dBi Gain RP SMA Male, EVA Radome, RHCP



LCANFP1058

Horizontal (Azimuth) HPBW	45	Degrees
Vertical (Elevation) HPBW	30	Degrees
Input Power	20	Watts

Mechanical Specifications

Radome Material	EVA
Size	
Length	20 in [508 mm]
Width	13.7 in [347.98 mm]
Height	0.19 in [4.83 mm]
Weight	1 lbs [453.59 g]

Connectors

Description	Connector 1 B	Connector 2 C	Connector 3 D
Inner Conductor Material and Plating	Gold		
Inner Conductor Plating Specification	MIL-G-45204		
Coupling Nut Material and Plating	Brass, Nickel		
Coupling Nut Plating Specification	QQ-N-290		
Hex Size	5/16 inch		
Body Material and Plating	Brass, Nickel		
Body Plating Specification	QQ-N-290		

Environmental Specifications

Temperature	
Operating Range	-20 to +65 deg C

Compliance Certifications (see [product page](#) for current document)

Plotted and Other Data

Notes:

902 to 928 MHz, RFID Flat Panel Antenna, 5 dBi Gain RP SMA Male, EVA Radome, RHCP from L-com has same day shipment for domestic and International orders. Our portfolio includes coaxial cable assemblies, connectors, adapters and custom products as well as lightning and surge protectors, NEMA rated enclosures, and an RF product line which includes antennas, amplifiers, passive, and

902 to 928 MHz, RFID Flat Panel Antenna, 5 dBi
Gain RP SMA Male, EVA Radome, RHCP

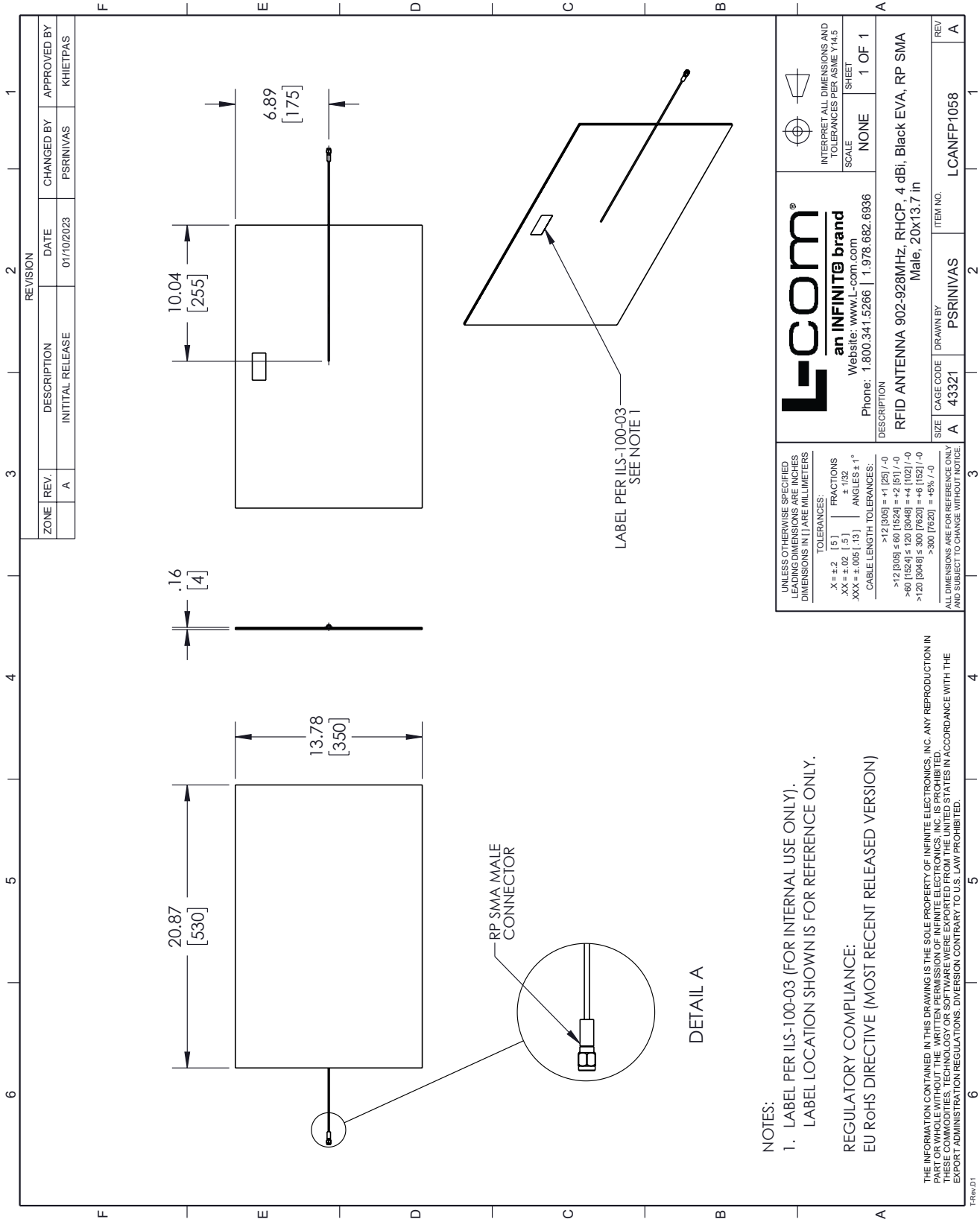
LCANFP1058



active components.

The information contained within this document is accurate to the best of our knowledge and representative of the part described herein. It may be necessary to make modifications to the part and/or the documentation of the part in order to impliment improvements. L-com reserves the right to make such changes as required. Unless otherwise stated, all specifications are nominal. L-com does not make any representation or warranty regarding the suitability of the part described herein for any particular purpose, and L-com does not assume liability arising out of the use of any part or document.

L-com CAD Drawing



NOTES:
 1. LABEL PER ILS-100-03 (FOR INTERNAL USE ONLY).
 LABEL LOCATION SHOWN IS FOR REFERENCE ONLY.

REGULATORY COMPLIANCE:
 EU RoHS DIRECTIVE (MOST RECENT RELEASED VERSION)

THE INFORMATION CONTAINED IN THIS DRAWING IS THE SOLE PROPERTY OF INFINITE ELECTRONICS, INC. ANY REPRODUCTION IN PART OR WHOLE WITHOUT THE WRITTEN PERMISSION OF INFINITE ELECTRONICS, INC. IS PROHIBITED.
 THIS DRAWING IS SUBJECT TO EXPORT ADMINISTRATION REGULATIONS. DIVERSION CONTRARY TO U.S. LAW PROHIBITED.

<p>L-com an INFINITE brand Website: www.l-com.com Phone: 1.800.341.5266 1.978.682.6936</p>		<p>INTERPRET ALL DIMENSIONS AND TOLERANCES PER ASME Y14.5 SCALE NONE SHEET 1 OF 1</p>
<p>DESCRIPTION RFID ANTENNA 902-928MHz, RHCP, 4 dBi, Black EVA, RP SMA Male, 20x13.7 in</p>		
<p>UNLESS OTHERWISE SPECIFIED LEADING DIMENSIONS ARE INCHES DIMENSIONS IN [] ARE MILLIMETERS</p> <p>TOLERANCES: .X = ±.2 [5] .XX = ±.02 [.5] .XXX = ±.005 [0.13]</p> <p>FRACTIONS ± 1/32 ANGLES ± 1°</p> <p>CABLE LENGTH TOLERANCES: >12 [305] = +1 [25] / -0 >12 [305] ≤ 60 [1524] = +2 [51] / -0 >60 [1524] ≤ 120 [3048] = +4 [102] / -0 >120 [3048] ≤ 300 [7620] = +6 [152] / -0 >300 [7620] = +5% / -0</p> <p>ALL DIMENSIONS ARE FOR REFERENCE ONLY AND SUBJECT TO CHANGE WITHOUT NOTICE</p>	<p>REV A</p>	<p>ITEM NO. LCANFP1058</p>
<p>SIZE A</p>	<p>CAGE CODE 43321</p>	<p>DRAWN BY PSRINIVAS</p>