

Coaxial Adapter, N Male / QN Female, Low PIM



LCAD30039

Configuration

- N Male Connector 1
- QN Female Connector 2
- Impedance 50 Ohm
- Low PIM Design
- Straight Body Geometry

Features

- PIM levels lower than -160
- Maximum VSWR of 1.2:1
- Rated to 8.5 GHz
- Silver Plated Beryllium Copper Contact

Applications

- Low PIM
- Adapter for Between Series Connections
- Lab and General Purpose Test

Description

These L-com RF Coaxial Adapters are used to interface between N to QN coaxial connection interfaces. The LCAD30039 is a straight adapter with a Male to Female configuration. This coaxial adapter, N Male / QN Female is made from Brass and has a Tri-Metal finish.

This between series N Male to QN Female LCAD30039 adapter is rated to 6 GHz with a low VSWR of 1.2:1. The design on this connector allows for low PIM applications with PIM ratings lower than -160 dBc.

L-com's RF Coaxial and Triaxial adapters are in stock and ship same day.

Electrical Specifications

Description	Minimum	Typical	Maximum	Units
Frequency Range	DC		8.5	GHz
VSWR			1.2:1	
Return Loss			20.83	dB
Passive Intermodulation			-160	dBc
Dielectric Withstanding Voltage (AC)			1,000	Vrms

Coaxial Adapter, N Male / QN Female, Low PIM



LCAD30039

Performance by Frequency

Description	F1	F2	F3	F4	F5	Units
Frequency Range	DC to 3	3 to 6				GHz
VSWR, Max	1.15:1	1.2:1				

Electrical Specification Notes:
Values at 25°C, sea level.

Mechanical Specifications

Size		
Length	1.58in	40.13mm]
Width	0.846in	[21.49mm]
Height	0.846in	[21.49mm]
Weight	0.5lbs	[226.8g]

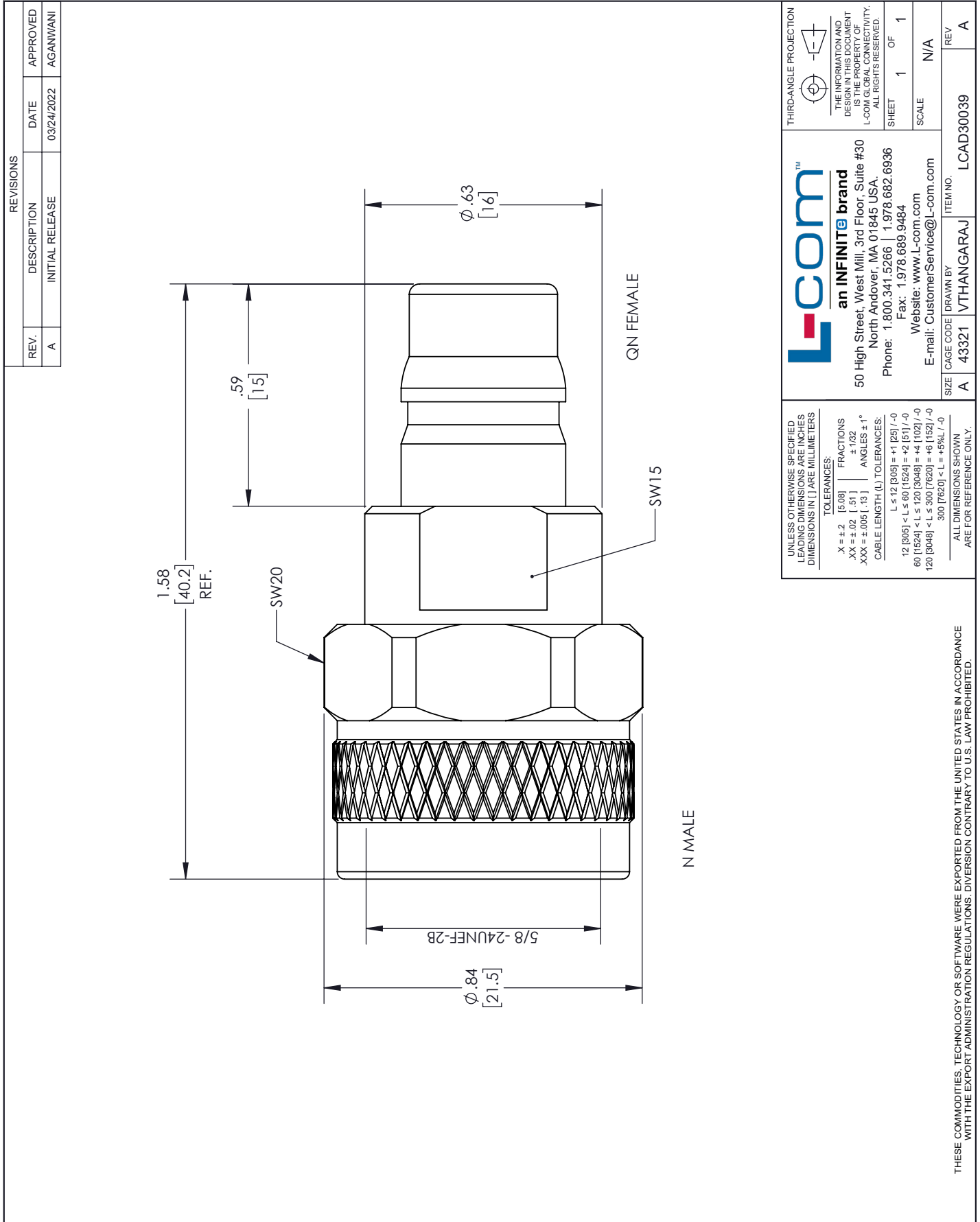
Description	Connector 1	Connector 2
Type	N Male	QN Female
Polarity	Standard	Standard
Hex Size	20 mm	
Contact Captivation Axial Force, Min	6.07 lbs [2.75 kg]	6.07 lbs [2.75 kg]

Material Specifications

Description	Connector 1		Connector 2	
	Material	Plating	Material	Plating
Type	N Male		QN Female	
Contact	Beryllium Copper	Silver	Beryllium Copper	Silver
Insulation	PTFE		PTFE	
Outer Conductor			Brass	Tri-Metal
Body	Brass	Tri-Metal	Brass	Tri-Metal
Coupling Nut	Brass	Tri-Metal		

Coaxial Adapter, N Male / QN Female, Low PIM

L-com CAD Drawing



REVISIONS		
REV.	DESCRIPTION	DATE
A	INITIAL RELEASE	03/24/2022
		APPROVED
		AGANWANI

UNLESS OTHERWISE SPECIFIED LEADING DIMENSIONS ARE INCHES DIMENSIONS IN [] ARE MILLIMETERS

TOLERANCES:

X = ±.2 [5.08]	FRACTIONS ± 1/32
XX = ±.02 [.51]	ANGLES ± 1°
XXX = ±.005 [.13]	

CABLE LENGTH (L) TOLERANCES:

L ≤ 12 [305]	± .1 [25]
12 [305] < L ≤ 60 [1524]	± .2 [51]
60 [1524] < L ≤ 120 [3048]	± .4 [102]
120 [3048] < L ≤ 300 [7620]	± .6 [152]
300 [7620] < L	± 5% L / -0

ALL DIMENSIONS SHOWN ARE FOR REFERENCE ONLY.

THIRD-ANGLE PROJECTION

THE INFORMATION AND DESIGN IN THIS DOCUMENT IS THE PROPERTY OF L-COM GLOBAL CONNECTIVITY. ALL RIGHTS RESERVED.

SHEET 1 OF 1

SCALE N/A

REV A

L-com™
an INFINITE brand

50 High Street, West Mill, 3rd Floor, Suite #30
North Andover, MA 01845 USA.
Phone: 1.800.341.5266 | 1.978.682.6936
Fax: 1.978.689.9484
Website: www.L-com.com
E-mail: CustomerService@L-com.com

SIZE A
CAGE CODE 43321
DRAWN BY VTHANGARAJ
ITEM NO. LCAD30039

THESE COMMODITIES, TECHNOLOGY OR SOFTWARE WERE EXPORTED FROM THE UNITED STATES IN ACCORDANCE WITH THE EXPORT ADMINISTRATION REGULATIONS. DIVERSION CONTRARY TO U.S. LAW PROHIBITED.

T-Rev D