

824-960/1710-2200/2400 MHz Tri-Band 2dBi Patch Omni-directional Multi-Band UMTS Antenna

HG924-2TP-RSP

Applications and Features

- Applications:**
- PCS cellular radio applications
 - UMTS, GSM, G3, ISM, WLAN, RFID applications
 - Mobile applications
 - Low profile mounting –stick on Foam Tape
 - Remote antenna location for better reception

- Features:**
- Superior performance
 - Compact size
 - Can be used with 900/1800/1900/2400 MHz systems
 - Mounting foam tape backing system with attached 3-Meter cable
 - Indoor or outdoor use
 - RoHS Compliant



Description

This compact UMTS/WLAN Tri-Band 2dBi Omni-directional antenna provides broad coverage and is designed to operate in 824-960MHz, 1710-2200MHz and 2400MHz bands. This Tri-Band design eliminates the need to purchase different antennas for each frequency. In the 824MHz-960MHz band it is ideally suited for GSM, ISM, WLAN, RFID applications. In the 1710MHz-2200MHz bands it can be used with UMTS10=900/2100MHz applications and Personal Communication Services (PCS) cellular radio wireless applications. The 2400MHz band is available for WLAN applications.

The compact size of this antenna is ideal where Omni-directional coverage and low visibility are desired. Mobile applications, including service vehicles, public transportation, law enforcement, mining and construction vehicles, as well as numerous other commercial and industrial applications where mobility is required, can be serviced with this antenna. The foam double sided tape provides a secure and reliable mounting mechanism allowing deployment in many places. The 3-meter RG174 cable provides the user with flexible options where to place the antenna.

Specifications

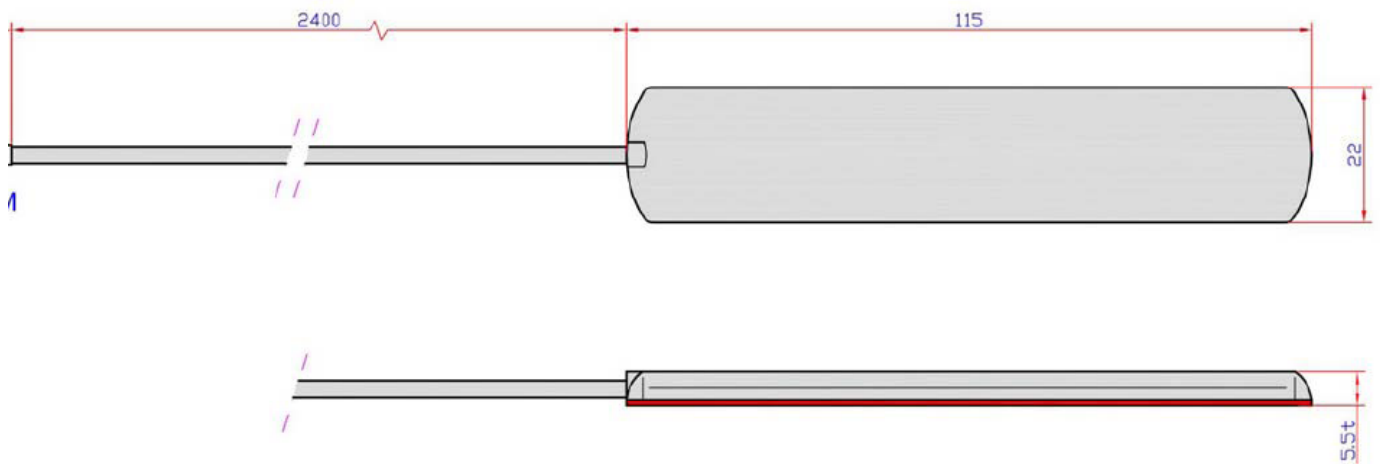
Antenna Electrical Specifications

Frequency Ranges	824 - 960 MHz 1710 - 2200 MHz 2400 MHz
Gain	2 dBi
Maximum Input Power	10 W
VSWR	≤ 2.0
Impedance	50 Ohms
Coax Cable	Up to 3.0 Meters RG174 Cable
Connector	RP-SMA Plug (others optional)

Antenna Mechanical Specifications

Weight	0.15 lbs. (0.07 Kg)
Length x Width	4.53 in. (115 mm) x 0.87 in (22 mm)
Thickness	0.22 in. (5.5 mm)
Finish	Black
Mounting	Double-Backed Foam Tape
Polarization	Vertical
Operating Temperature	-40° C to 80° C (-40° F to 176° F)
RoHS Compliant	Yes

Antenna Dimensions (mm) Typical



Antenna Patterns

