

617 MHz-4200 MHz 3 to 5 dBi MHz 5G MIMO Omnidirectional Outdoor Antenna - 2 x Type N Female Connectors on 1 foot RG58 pigtail



## HG63805-03DPU-NF

### Features

- 600 MHz to 4200 MHz (Extended CBRS) functionality
- Outdoor rated omnidirectional antenna
- 2 ports for 2x2 MIMO applications
- Type N Female connectors

### Applications

- 4G 5G Networks, Public or Private
- 600 MHz, 700 MHz, 850 MHz, 900 MHz, 1800 MHz, 1900 MHz, 2100 MHz, 2600 MHz, 3500 MHz
- IoT, Cellular, Zigbee, Zwave, Bluetooth

### Description

The HG63805-03DPU-NF 5G 2x2 MIMO Omnidirectional Antenna from L-com is a high performance, compact and lightweight antenna which ships same day. This omnidirectional antenna is designed for 2x2 MIMO performance in the 600 MHz to 4200 MHz bands. This includes frequencies owned by all major global cellular operators and includes the extended CBRS band. The antenna features two N Type female connectors on RG58 pigtails. The N female connectors allow the antenna to be mounted to a radio or terminal with a coaxial jumper and provides flexibility of mounting location. L-com's HG63805-03DPU-NF with an omni-directional pattern is ideally suited for 4G, 5G, LTE and other sub 6 GHz Cellular bands in both private and public networks.

The L-com 5G high performance omnidirectional HG63805-03DPU-NF is a flexible antenna providing broad coverage and 3 to 5 dBi gain. It is suitable as for any network using sub 6 GHz 5G bands including 600, 700, 800, 850, 900, 1800, 1900, 2100, 2300, 2600, 3500, 4200 MHz bands. The HG63805-03DPU-NF is UV protected and rated for outdoor use.

This 5G HG63805-03DPU-NF Cellular antenna just like our wide selection of superior quality RF parts, ship same day. Contact our knowledgeable and friendly technical support and sales staff for your answers on antennas or other L-com products.

### Configuration

Design	Omni
Band Type	Multi
Radiation Pattern	Omni Directional
Polarization	Vertical
Cable Length	12 in [304.8 mm]
Connector Type	N Female

### Electrical Specifications

Description	Minimum	Typical	Maximum	Units
Frequency Range	617		4200	MHz
Input VSWR			2:1	
Impedance		50		Ohms
Input Power			50	Watts

Click the following link (or enter part number in "SEARCH" on website) to obtain additional part information including price, inventory and certifications: [617 MHz-4200 MHz 3 to 5 dBi MHz 5G MIMO Omnidirectional Outdoor Antenna - 2 x Type N Female Connectors on 1 foot RG58 pigtail](#)

617 MHz-4200 MHz 3 to 5 dBi MHz 5G MIMO Omnidirectional Outdoor Antenna - 2 x Type N Female Connectors on 1 foot RG58 pigtail



## HG63805-03DPU-NF

### Specifications by Band

Description	Band 1	Band 2	Band 3	Band 4	Band 5	Units
Range	617-1,710	1,710-4,200				MHz
Gain	3	5				dBi
Horizontal HPBW	360	360				Degrees
Vertical HPBW	70	35				Degrees

### Mechanical Specifications

Radome Material	UV resistant PVC
<b>Size</b>	
Length	17.7 in [449.58 mm]
Width	3 in [76.2 mm]
Height	3 in [76.2 mm]
Mounting Mast Diameter	1.57 to 1.96 in [39.88 to 49.78 mm]
Weight	2.64 lbs [1.2 kg]

### Environmental Specifications

<b>Temperature</b>	
Operating Range	-40 to +70 deg C
Wind Survivability	134 MPH [215.65 KPH]
Humidity	5 to 95 %

**Compliance Certifications** (see [product page](#) for current document)

### Plotted and Other Data

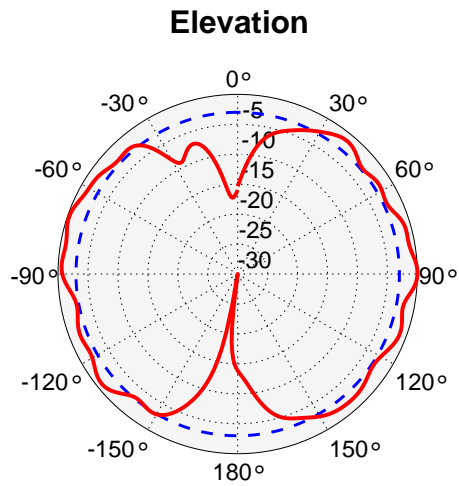
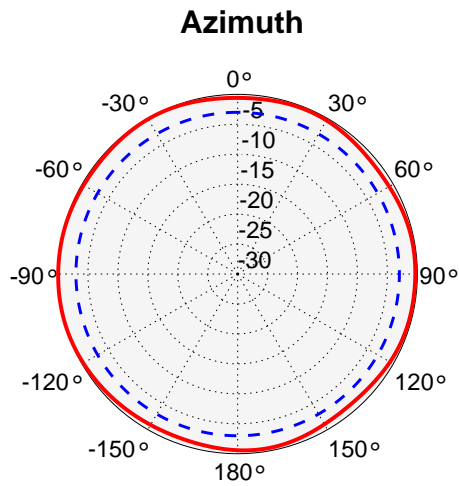
Notes:

617 MHz-4200 MHz 3 to 5 dBi MHz 5G MIMO Omnidirectional Outdoor  
Antenna - 2 x Type N Female Connectors on 1 foot RG58 pigtail

**HG63805-03DPU-NF**



**Radiation Patterns of 806 MHz**

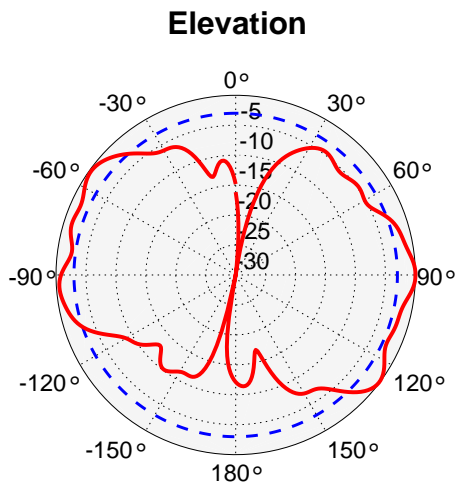
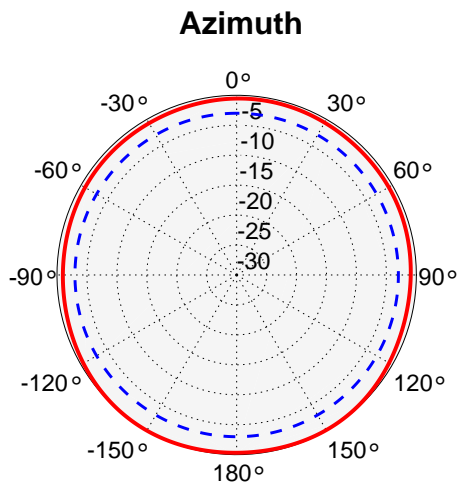


617 MHz-4200 MHz 3 to 5 dBi MHz 5G MIMO Omnidirectional Outdoor  
Antenna - 2 x Type N Female Connectors on 1 foot RG58 pigtail

**HG63805-03DPU-NF**



**Radiation Patterns of 2170 MHz**

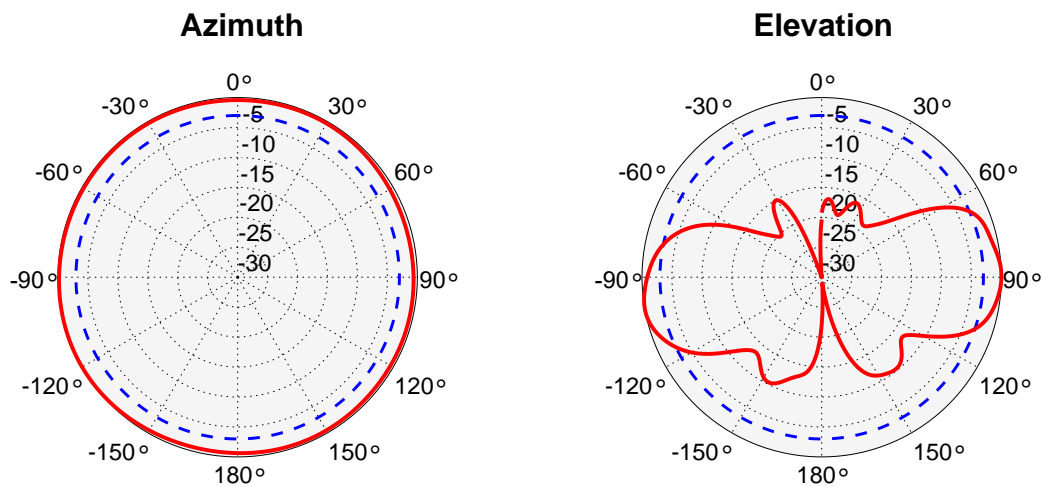


617 MHz-4200 MHz 3 to 5 dBi MHz 5G MIMO Omnidirectional Outdoor Antenna - 2 x Type N Female Connectors on 1 foot RG58 pigtail

**HG63805-03DPU-NF**



**Radiation Patterns of 3800 MHz**

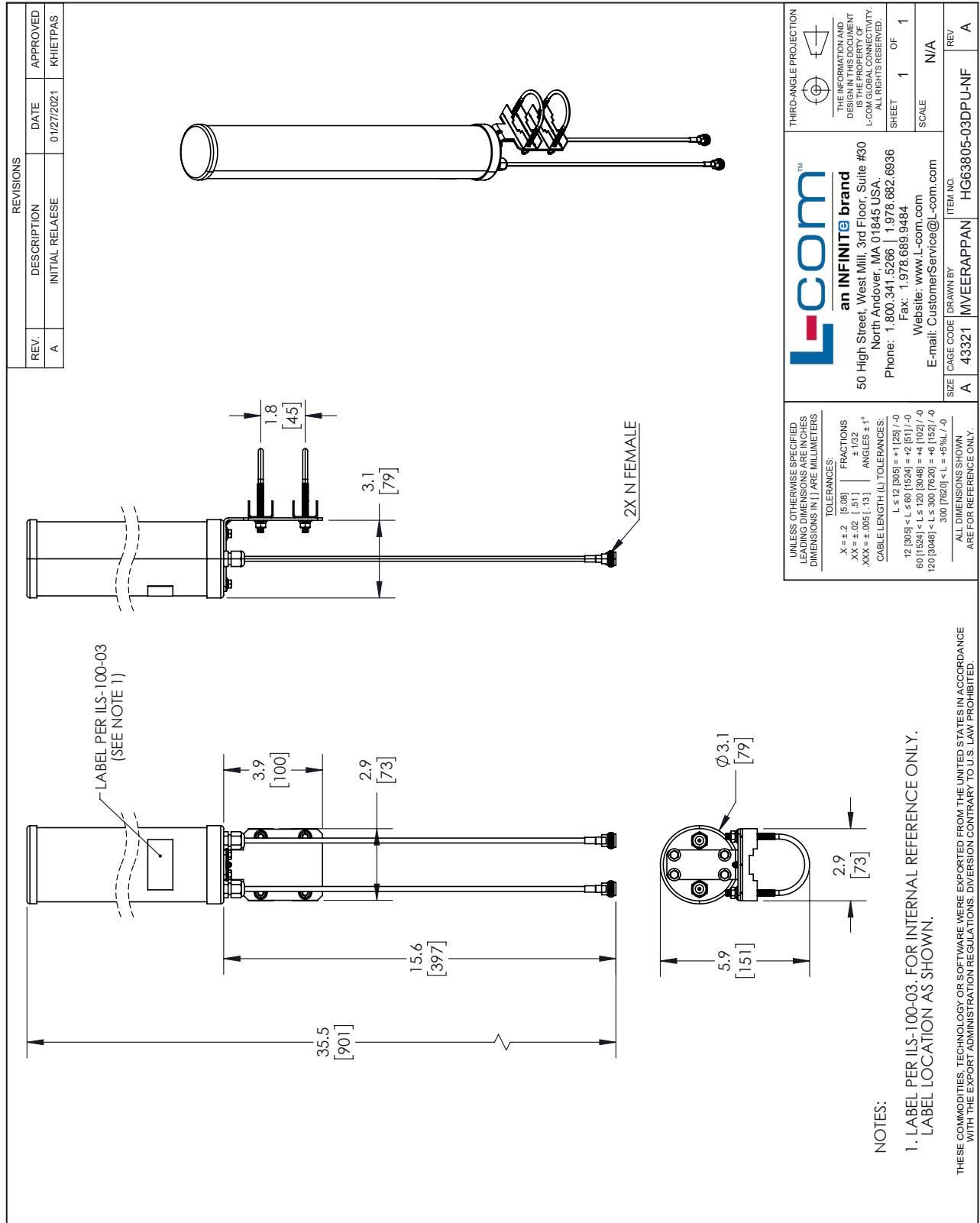


617 MHz-4200 MHz 3 to 5 dBi MHz 5G MIMO Omnidirectional Outdoor Antenna - 2 x Type N Female Connectors on 1 foot RG58 pigtail from L-com has same day shipment for domestic and International orders. Our portfolio includes coaxial cable assemblies, connectors, adapters and custom products as well as lightning and surge protectors, NEMA rated enclosures, and an RF product line which includes antennas, amplifiers, passive, and active components.

The information contained within this document is accurate to the best of our knowledge and representative of the part described herein. It may be necessary to make modifications to the part and/or the documentation of the part in order to impliment improvements. L-com reserves the right to make such changes as required. Unless otherwise stated, all specifications are nominal. L-com does not make any representation or warranty regarding the suitability of the part described herein for any particular purpose, and L-com does not assume liability arising out of the use of any part or document.

617 MHz-4200 MHz 3 to 5 dBi MHz 5G MIMO Omnidirectional Outdoor Antenna - 2 x Type N Female Connectors on 1 foot RG58 pigtail

L-com CAD Drawing



an INFINITE brand  
 50 High Street, West Mill, 3rd Floor, Suite #30  
 North Andover, MA 01845, USA.  
 Phone: 1.800.341.5266 | 1.978.682.6936  
 Fax: 1.978.689.9484  
 Website: www.L-com.com  
 E-mail: CustomerService@L-com.com

THE INFORMATION AND DIMENSIONS SHOWN ARE THE PROPERTY OF L-COM GLOBAL CONNECTIVITY. ALL RIGHTS RESERVED.  
 SHEET 1 OF 1

UNLESS OTHERWISE SPECIFIED LEADING DIMENSIONS ARE IN INCHES DIMENSIONS IN [ ] ARE MILLIMETERS

TOLERANCES:

.X = ±.2 [5.08]	FRACTIONS ± 1/32
.XX = ±.02 [.51]	ANGLES ± 1°
.XXX = ±.005 [ .13]	

CABLE LENGTH (L) TOLERANCES:

L ≤ 12 [305] < L ≤ 60 [1524] = ±1 [25] / -0
60 [1524] < L ≤ 120 [3048] = ±4 [102] / -0
120 [3048] < L ≤ 300 [7620] = ±6 [152] / -0
300 [7620] < L = +5%L / -0

ALL DIMENSIONS SHOWN ARE FOR REFERENCE ONLY.

THESE COMMODITIES, TECHNOLOGY OR SOFTWARE WERE EXPORTED FROM THE UNITED STATES IN ACCORDANCE WITH THE EXPORT ADMINISTRATION REGULATIONS. DIVERSION CONTRARY TO U.S. LAW PROHIBITED.

NOTES:

- LABEL PER ILS-100-03. FOR INTERNAL REFERENCE ONLY. LABEL LOCATION AS SHOWN.