

2.4 GHz-2.5 GHz / 5.1 GHz-7.2 GHz, 6/6 dBi WiFi 6e 4x4 MIMO Outdoor Omni Antenna - 4 x RP-SMA Male Connector on 0.9 meter RG58 pigtail



HG2471-06DPU-4RSP

Features

- Reverse Polarity SMA (RP-SMA) Male Connector
- Outdoor Rated Omnidirectional Antenna
- 4 x Vertical Polarization
- 4x4 MIMO Functionality
- 2.4 GHz, 5 GHz, 6 GHz WiFi Bands
- 6 dBi gain

Applications

- Infotainment systems, Routers, WiFi hotspots, HD video transmission, Gateways, Dash cameras, Public transportation
- WiFi 6e (802.11ax) networks
- Connected cars or self-driving cars, Fleet management, Logistics
- Public Safety Networks
- IoT, Industrial IoT, Zigbee, Bluetooth, WiFi

Description

The HG2471-06DPU-4RSP WiFi 6e 4x4 MIMO Omni Antenna from L-com is a high performance omnidirectional antenna designed for the 2400 MHz to 7125 MHz bands and is available to ship same day. It features 4 (four) pigtails terminated with Reverse Polarity SMA (RP-SMA) Male connectors for 4x4 MIMO applications. It is a UV protected, outdoor rated antenna with omni-directional pattern. The HG2471-06DPU-4RSP is ideally suited for 802.11 protocols including 802.11ax as well as IoT, Zigbee and Bluetooth.

The L-com high performance omni HG2471-06DPU-4RSP is a rugged antenna providing broad coverage, low latency, increased network capacity and 6 dBi gain. This 4 port RP-SMA male omnidirectional antenna is suitable for commercial radios and access points in public and private networks that are equipped with RP-SMA female connectors. L-com's HG2471-06DPU-4RSP supports 2.4, 5 and 6 GHz bands.

This WiFi 6e HG2471-06DPU-4RSP omni antenna with 4 RP-SMA male connectors, as well as our wide selection of superior quality RF parts, ships same day. Contact our knowledgeable and friendly technical support and sales staff for your answers on antennas or other L-com products.

Configuration

Design	Omni
Band Type	Multi
Radiation Pattern	Omni Directional
Polarization	Vertical
Cable Type	RG58/U
Connector Type	SMA Male Reverse Polarity

Electrical Specifications

Description	Minimum	Typical	Maximum	Units
Frequency Range	2.4		7.25	GHz
Input VSWR			2:1	
Impedance		50		Ohms
Input Power			50	Watts

Click the following link (or enter part number in "SEARCH" on website) to obtain additional part information including price, inventory and certifications:
[2.4 GHz-2.5 GHz / 5.1 GHz-7.2 GHz, 6/6 dBi WiFi 6e 4x4 MIMO Outdoor Omni Antenna - 4 x RP-SMA Male Connector on 0.9 meter RG58 pigtail](#)

2.4 GHz-2.5 GHz / 5.1 GHz-7.2 GHz, 6/6 dBi WiFi 6e 4x4 MIMO Outdoor
Omni Antenna - 4 x RP-SMA Male Connector on 0.9 meter RG58 pigtail



HG2471-06DPU-4RSP

Specifications by Band

Description	Band 1	Band 2	Band 3	Band 4	Band 5	Units
Range	2,400-2,500	5,150-7,250				MHz
Bandwidth	100	2100				MHz
Gain	6	6				dBi
Horizontal HPBW	360	360				Degrees
Vertical HPBW	45	30				Degrees

Mechanical Specifications

Radome Material	UV Resistant ABS
Size	
Length	7.1 in [180.34 mm]
Width	5.94 in [150.88 mm]
Height	5.94 in [150.88 mm]
Mounting Mast Diameter	1.57 to 1.96 in [39.88 to 49.78 mm]
Weight	3.52 lbs [1.6 kg]

Environmental Specifications

Temperature	
Operating Range	-40 to +70 deg C
Wind Survivability	120 MPH [193.12 KPH]
Humidity	5 to 95 %

Compliance Certifications (see [product page](#) for current document)

Plotted and Other Data

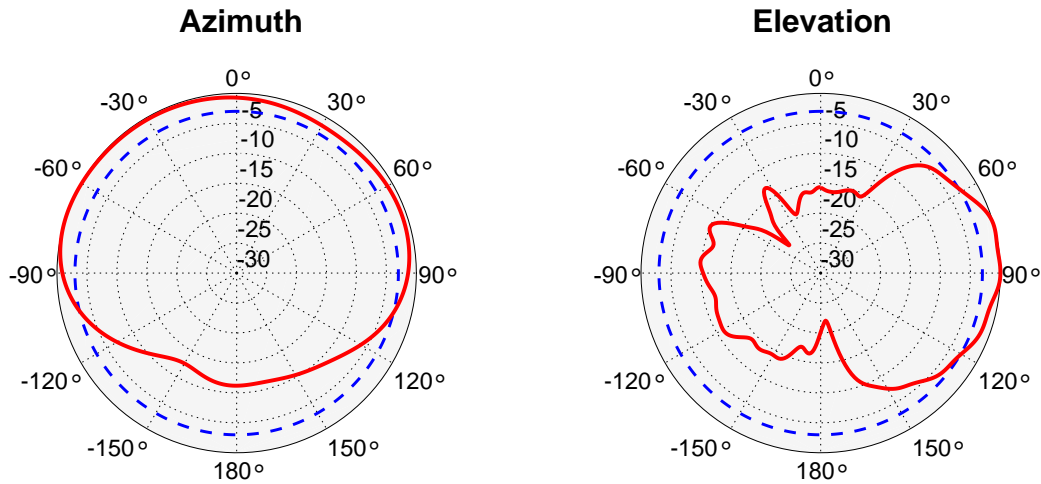
Notes:

2.4 GHz-2.5 GHz / 5.1 GHz-7.2 GHz, 6/6 dBi WiFi 6e 4x4 MIMO Outdoor
Omni Antenna - 4 x RP-SMA Male Connector on 0.9 meter RG58 pigtail



HG2471-06DPU-4RSP

Radiation Patterns of 2450 MHz

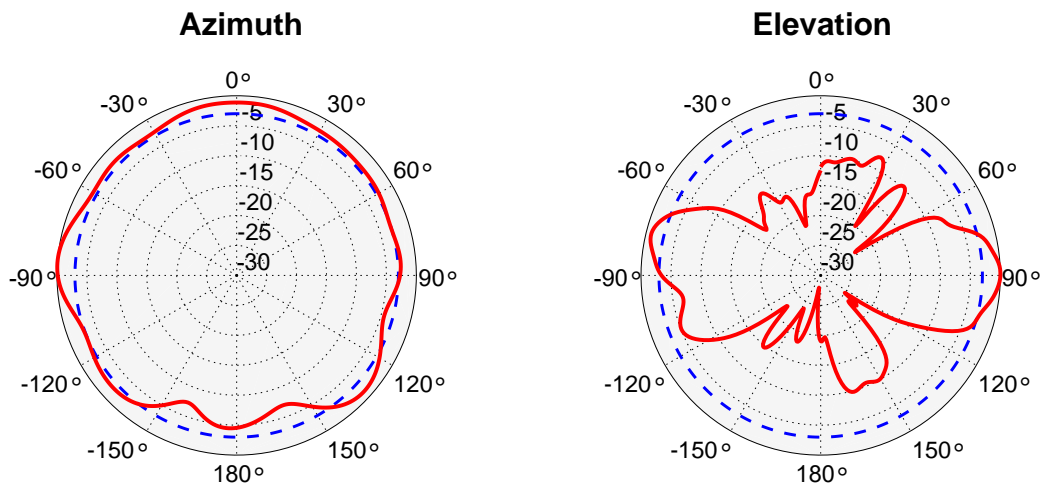


2.4 GHz-2.5 GHz / 5.1 GHz-7.2 GHz, 6/6 dBi WiFi 6e 4x4 MIMO Outdoor
Omni Antenna - 4 x RP-SMA Male Connector on 0.9 meter RG58 pigtail



HG2471-06DPU-4RSP

Radiation Patterns of 5550 MHz

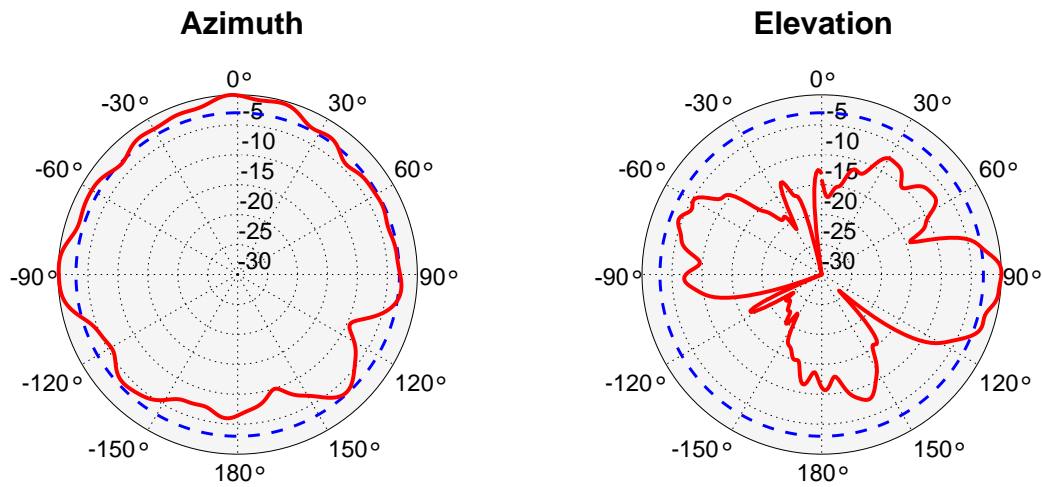


2.4 GHz-2.5 GHz / 5.1 GHz-7.2 GHz, 6/6 dBi WiFi 6e 4x4 MIMO Outdoor Omni Antenna - 4 x RP-SMA Male Connector on 0.9 meter RG58 pigtail



HG2471-06DPU-4RSP

Radiation Patterns of 7125 MHz

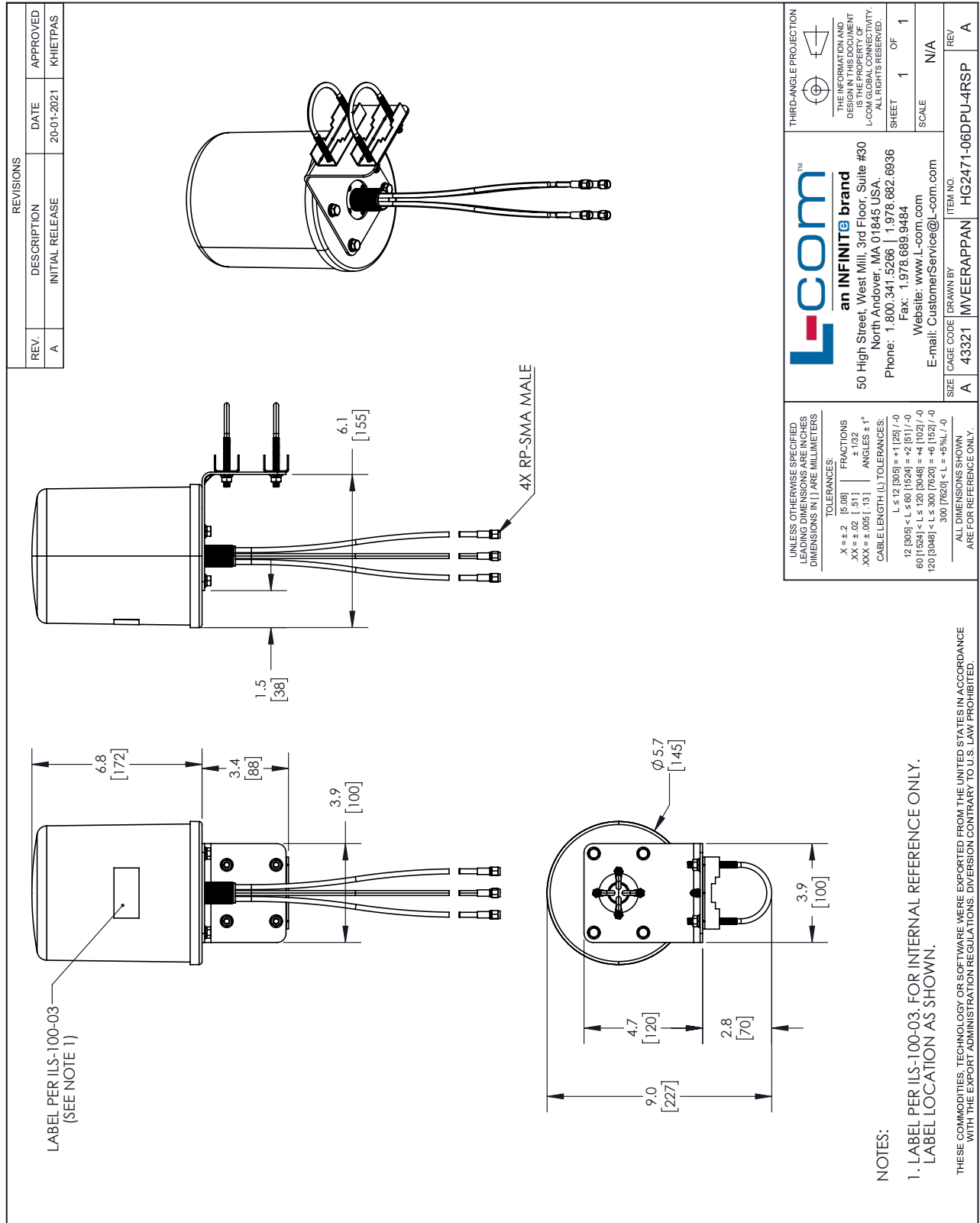


2.4 GHz-2.5 GHz / 5.1 GHz-7.2 GHz, 6/6 dBi WiFi 6e 4x4 MIMO Outdoor Omni Antenna - 4 x RP-SMA Male Connector on 0.9 meter RG58 pigtail from L-com has same day shipment for domestic and International orders. Our portfolio includes coaxial cable assemblies, connectors, adapters and custom products as well as lightning and surge protectors, NEMA rated enclosures, and an RF product line which includes antennas, amplifiers, passive, and active components.

The information contained within this document is accurate to the best of our knowledge and representative of the part described herein. It may be necessary to make modifications to the part and/or the documentation of the part in order to impliment improvements. L-com reserves the right to make such changes as required. Unless otherwise stated, all specifications are nominal. L-com does not make any representation or warranty regarding the suitability of the part described herein for any particular purpose, and L-com does not assume liability arising out of the use of any part or document.

2.4 GHz-2.5 GHz / 5.1 GHz-7.2 GHz, 6/6 dBi WiFi 6e 4x4 MIMO Outdoor Omni Antenna - 4 x RP-SMA Male Connector on 0.9 meter RG58 pigtail

L-com CAD Drawing



NOTES:
1. LABEL PER ILS-100-03. FOR INTERNAL REFERENCE ONLY.
LABEL LOCATION AS SHOWN.

THESE COMMODITIES, TECHNOLOGY OR SOFTWARE WERE EXPORTED FROM THE UNITED STATES IN ACCORDANCE WITH THE EXPORT ADMINISTRATION REGULATIONS. DIVERSION CONTRARY TO U.S. LAW PROHIBITED.

T-Rev.D