

2.4 GHz-2.5 GHz / 5.1 GHz-7.2 GHz, 6/6 dBi WiFi 6e 4x4 MIMO Outdoor Omni Antenna - 4 x Type N Female Connector on 0.9 meter RG58 pigtail



## HG2471-06DPU-4NF

### Features

- N Female Connector
- Outdoor Rated Omnidirectional Antenna
- 4 x Vertical Polarization
- 4x4 MIMO Functionality
- 2.4 GHz, 5 GHz, 6 GHz WiFi Bands
- 6 dBi gain

### Applications

- Infotainment systems, Routers, WiFi hotspots, HD video transmission, Gateways, Dash cameras, Public transportation
- WiFi 6e (802.11ax) networks
- Connected cars or self-driving cars, Fleet management, Logistics
- Public Safety Networks
- IoT, Industrial IoT, Zigbee, Bluetooth, WiFi

### Description

The HG2471-06DPU-4NF WiFi 6e 4x4 MIMO Omni Antenna from L-com is a high performance omnidirectional antenna designed for the 2400 MHz to 7125 MHz bands and is available to ship same day. It features 4 (four) pigtailed terminated with Type N Female connectors for 4X4 MIMO applications. It is a UV protected, outdoor rated antenna with omni-directional pattern. The HG2471-06DPU-4NF is ideally suited for 802.11 protocols including 802.11ax as well as IoT, Zigbee and Bluetooth.

The L-com high performance omni HG2471-06DPU-4NF is a rugged antenna providing broad coverage, low latency, increased network capacity and 6 dBi gain. This 4 port N Type Female omnidirectional antenna is suitable for commercial radios and access points in public and private networks that are equipped with N Male connectors. L-com's HG2471-06DPU-4NF supports 2.4, 5 and 6 GHz bands.

This WiFi 6e HG2471-06DPU-4NF omni antenna with 4 N Type Female connectors, as well as our wide selection of superior quality RF parts, ships same day. Contact our knowledgeable and friendly technical support and sales staff for your answers on antennas or other L-com products.

### Configuration

Design	Omni
Band Type	Multi
Radiation Pattern	Omni Directional
Polarization	Vertical
Cable Type	RG58/U
Connector Type	N Female

### Electrical Specifications

Description	Minimum	Typical	Maximum	Units
Frequency Range	2.4		7.25	GHz
Input VSWR			2:1	
Impedance		50		Ohms
Input Power			50	Watts

Click the following link (or enter part number in "SEARCH" on website) to obtain additional part information including price, inventory and certifications:  
[2.4 GHz-2.5 GHz / 5.1 GHz-7.2 GHz, 6/6 dBi WiFi 6e 4x4 MIMO Outdoor Omni Antenna - 4 x Type N Female Connector on 0.9 meter RG58 pigtail](#)

2.4 GHz-2.5 GHz / 5.1 GHz-7.2 GHz, 6/6 dBi WiFi 6e 4x4 MIMO Outdoor  
Omni Antenna - 4 x Type N Female Connector on 0.9 meter RG58 pigtail



## HG2471-06DPU-4NF

### Specifications by Band

Description	Band 1	Band 2	Band 3	Band 4	Band 5	Units
Range	2,400-2,500	5,150-7,250				MHz
Bandwidth	100	2100				MHz
Gain	6	6				dBi
Horizontal HPBW	360	360				Degrees
Vertical HPBW	45	30				Degrees

### Mechanical Specifications

Radome Material	UV Resistant ABS
<b>Size</b>	
Length	7.1 in [180.34 mm]
Width	5.94 in [150.88 mm]
Height	5.94 in [150.88 mm]
Mounting Mast Diameter	1.57 to 1.96 in [39.88 to 49.78 mm]
Weight	3.52 lbs [1.6 kg]

### Environmental Specifications

<b>Temperature</b>	
Operating Range	-40 to +70 deg C
Wind Survivability	124 MPH [199.56 KPH]
Humidity	5 to 95 %

**Compliance Certifications** (see [product page](#) for current document)

### Plotted and Other Data

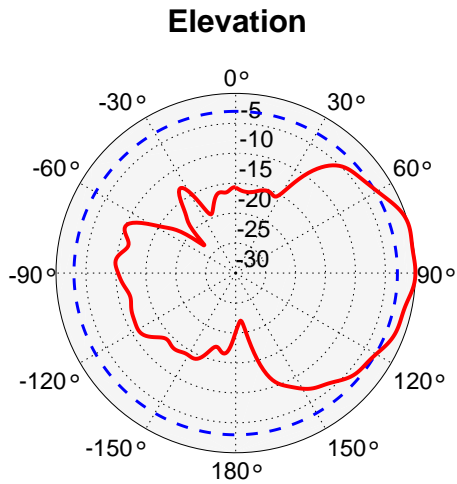
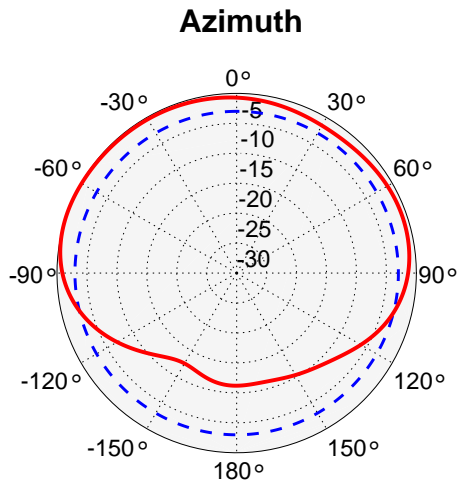
Notes:

2.4 GHz-2.5 GHz / 5.1 GHz-7.2 GHz, 6/6 dBi WiFi 6e 4x4 MIMO Outdoor  
Omni Antenna - 4 x Type N Female Connector on 0.9 meter RG58 pigtail



**HG2471-06DPU-4NF**

**Radiation Patterns of 2450 MHz**

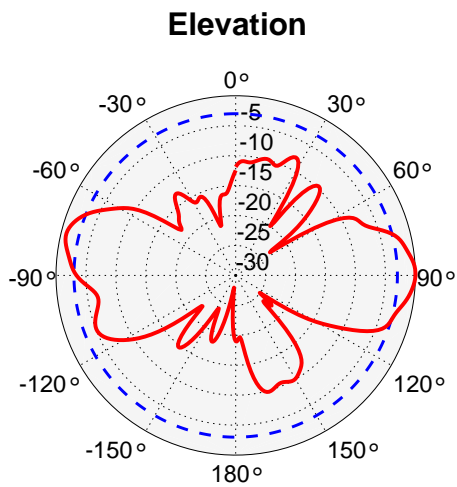
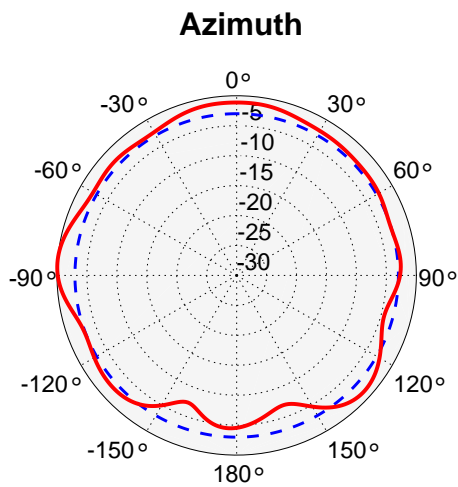


2.4 GHz-2.5 GHz / 5.1 GHz-7.2 GHz, 6/6 dBi WiFi 6e 4x4 MIMO Outdoor  
Omni Antenna - 4 x Type N Female Connector on 0.9 meter RG58 pigtail

**HG2471-06DPU-4NF**



**Radiation Patterns of 5550 MHz**

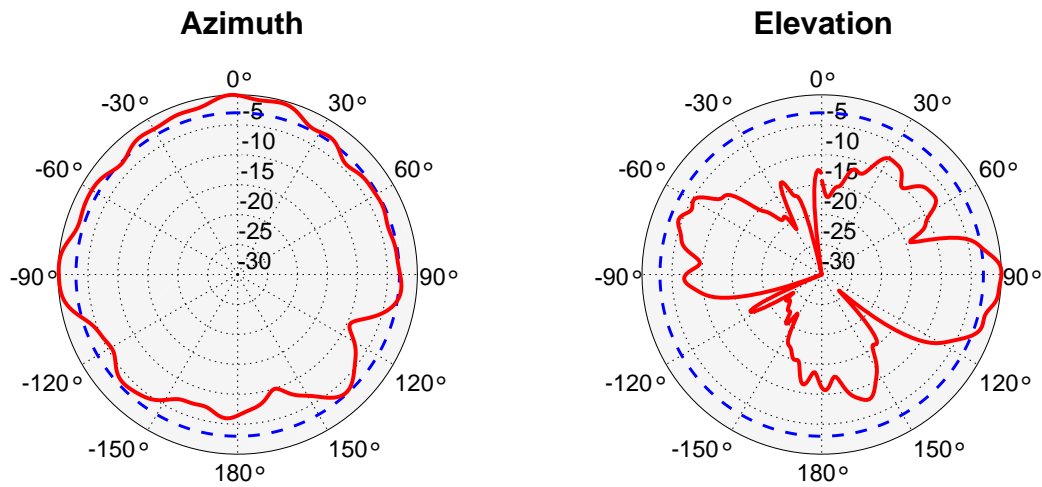


2.4 GHz-2.5 GHz / 5.1 GHz-7.2 GHz, 6/6 dBi WiFi 6e 4x4 MIMO Outdoor Omni Antenna - 4 x Type N Female Connector on 0.9 meter RG58 pigtail



**HG2471-06DPU-4NF**

**Radiation Patterns of 7125 MHz**

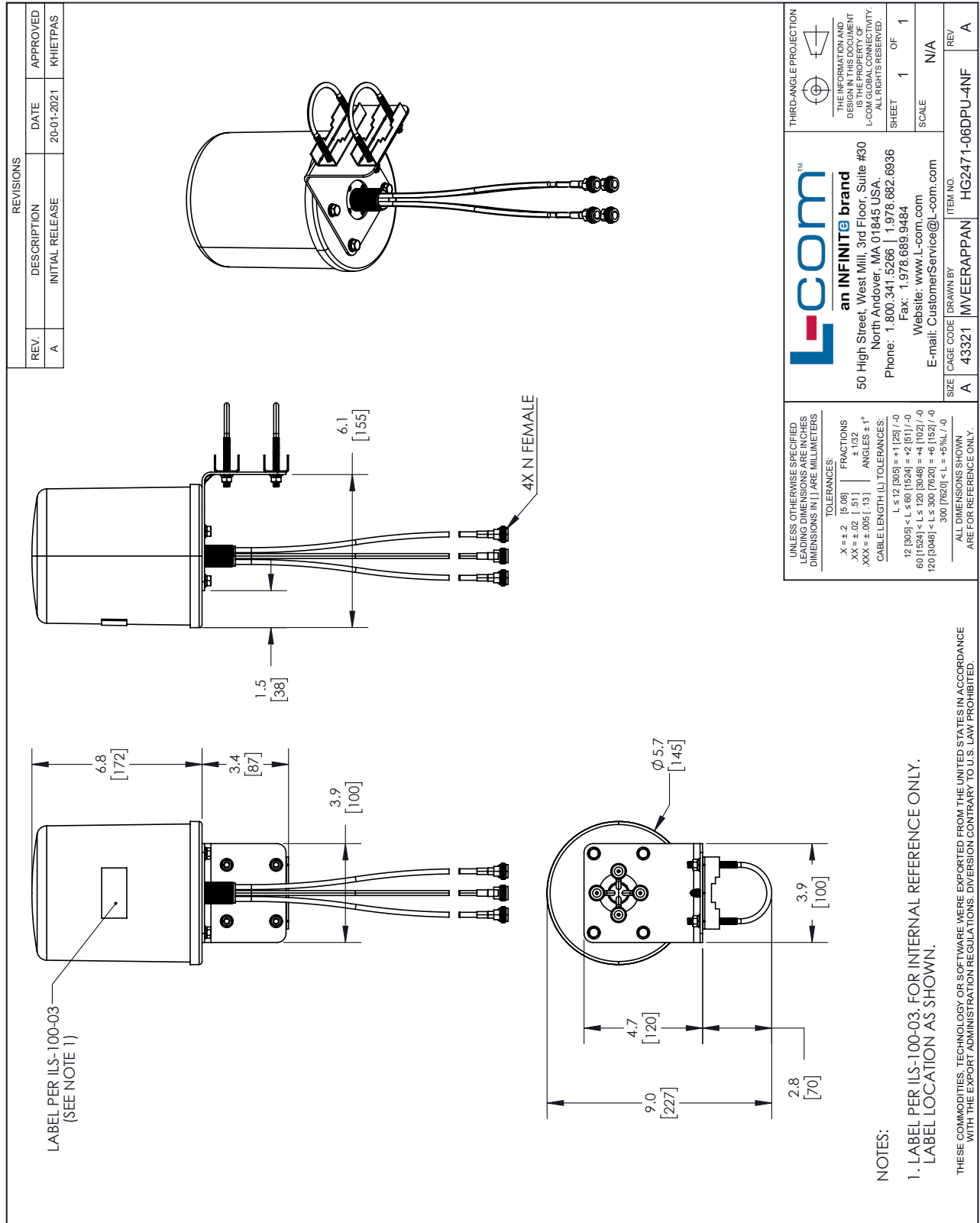


2.4 GHz-2.5 GHz / 5.1 GHz-7.2 GHz, 6/6 dBi WiFi 6e 4x4 MIMO Outdoor Omni Antenna - 4 x Type N Female Connector on 0.9 meter RG58 pigtail from L-com has same day shipment for domestic and International orders. Our portfolio includes coaxial cable assemblies, connectors, adapters and custom products as well as lightning and surge protectors, NEMA rated enclosures, and an RF product line which includes antennas, amplifiers, passive, and active components.

The information contained within this document is accurate to the best of our knowledge and representative of the part described herein. It may be necessary to make modifications to the part and/or the documentation of the part in order to impliment improvements. L-com reserves the right to make such changes as required. Unless otherwise stated, all specifications are nominal. L-com does not make any representation or warranty regarding the suitability of the part described herein for any particular purpose, and L-com does not assume liability arising out of the use of any part or document.

2.4 GHz-2.5 GHz / 5.1 GHz-7.2 GHz, 6/6 dBi WiFi 6e 4x4 MIMO Outdoor Omni Antenna - 4 x Type N Female Connector on 0.9 meter RG58 pigtail

L-com CAD Drawing



**L-com™**  
**an INFINITE brand**  
 50 High Street, West Mill, 3rd Floor, Suite #30  
 North Andover, MA 01845, USA.  
 Phone: 1.800.341.5266 | 1.978.682.6936  
 Fax: 1.978.689.9484  
 Website: www.L-com.com  
 E-mail: CustomerService@L-com.com

THIRD-ANGLE PROJECTION

THE INFORMATION AND DIMENSIONS SHOWN ARE THE PROPERTY OF L-COM GLOBAL CONNECTIVITY. ALL RIGHTS RESERVED.

SHEET 1 OF 1

SCALE N/A

SIZE	CAGE CODE	DRAWN BY	ITEM NO.	REV
A	43321	MVEERAPPAN	HG2471-06DPU-4NF	A

UNLESS OTHERWISE SPECIFIED LEADING DIMENSIONS ARE IN INCHES DIMENSIONS IN [ ] ARE MILLIMETERS  
 TOLERANCES:  
 .X = ±.2 [5.08] FRACTIONS ± 1/32  
 .XX = ±.02 [ .51] ANGLES ± 1°  
 .XXX = ±.005 [ .13]  
 CABLE LENGTH (L) TOLERANCES:  
 L ≤ 12 [305] = ±1 [25] / -0  
 12 [305] < L ≤ 60 [1524] = ±2 [51] / -0  
 60 [1524] < L ≤ 120 [3048] = ±4 [102] / -0  
 120 [3048] < L ≤ 300 [7620] = ±6 [152] / -0  
 300 [7620] < L = +5% / -0  
 ALL DIMENSIONS SHOWN ARE FOR REFERENCE ONLY.