

2.4 GHz-2.5 GHz / 5.1 GHz-7.2 GHz, 6/6 dBi WiFi 6e 4x4 Dual Pol MIMO  
Outdoor Flat Panel Antenna - 4 x Type N Male on 1 meter RG58 pigtail



## HG2471-06DP-4NM

### Features

- N Male Connector
- Outdoor Rated Panel Antenna
- 2 x Vertical + 2 x Horizontal Polarization
- 4x4 MIMO Functionality
- 2.4 GHz, 5 GHz, 6 GHz WiFi Bands
- 6 dBi gain

### Applications

- Infotainment systems, Routers, WiFi hotspots, HD video transmission, Gateways, Dash cameras, Public transportation
- WiFi 6e (802.11ax) networks
- Connected cars or self-driving cars, Fleet management, Logistics
- Public Safety Networks
- IoT, Industrial IoT, Zigbee, Bluetooth, WiFi

### Description

The HG2471-06DP-4NM WiFi 6e 4x4 MIMO Flat Panel Antenna from L-com is a high performance directional antenna designed for the 2400 MHz to 7125 MHz bands and is available to ship same day. It features 4 (four) pigtails terminated with Type N Male connectors for 4x4 MIMO applications. It is a UV protected, outdoor rated antenna with 60 degree horizontal half power beamwidth. The HG2471-06DP-4NM is ideally suited for 802.11 protocols including 802.11ax as well as IoT, Zigbee and Bluetooth.

The L-com high performance flat panel HG2471-06DP-4NM is a rugged antenna providing broad coverage, low latency, increased network capacity and 6 dBi gain. This 4 port N Type Male flat panel directional antenna is suitable for commercial radios and access points in public and private networks and can connect directly to equipment with N Female connectors. L-com's HG2471-06DP-4NM supports 2.4, 5 and 6 GHz bands.

This WiFi 6e HG2471-06DP-4NM 60 degree flat panel antenna with 4 N Type Male connectors, as well as our wide selection of superior quality RF parts, ships same day. Contact our knowledgeable and friendly technical support and sales staff for your answers on antennas or other L-com products.

### Configuration

Design	Flat Panel
Band Type	Dual
Radiation Pattern	Directional
Polarization	Vertical and Horizontal
Cable Type	RG58
Connector Type	N Male

### Electrical Specifications

Description	Minimum	Typical	Maximum	Units
Frequency Range	2.4		7.25	GHz
Input VSWR			2:1	
Impedance		50		Ohms
Port to Port Isolation		28		dB
Input Power			50	Watts

Click the following link (or enter part number in "SEARCH" on website) to obtain additional part information including price, inventory and certifications: [2.4 GHz-2.5 GHz / 5.1 GHz-7.2 GHz, 6/6 dBi WiFi 6e 4x4 Dual Pol MIMO Outdoor Flat Panel Antenna - 4 x Type N Male on 1 meter RG58 pigtail](#)

2.4 GHz-2.5 GHz / 5.1 GHz-7.2 GHz, 6/6 dBi WiFi 6e 4x4 Dual Pol MIMO  
Outdoor Flat Panel Antenna - 4 x Type N Male on 1 meter RG58 pigtail



## HG2471-06DP-4NM

### Specifications by Band

Description	Band 1	Band 2	Band 3	Band 4	Band 5	Units
Range	2,400-2,500	5,150-7,250				MHz
Gain	6	6				dBi
Horizontal HPBW	65	55				Degrees
Vertical HPBW	65	60				Degrees
Front to Back Ratio	20	20				dB

### Mechanical Specifications

Radome Material	UV Resistant ABS
<b>Size</b>	
Length	9.8 in [248.92 mm]
Width	9.8 in [248.92 mm]
Height	1.6 in [40.64 mm]
Mounting Mast Diameter	1.57 to 2.36 in [39.88 to 59.94 mm]
Weight	4.62 lbs [2.1 kg]

### Environmental Specifications

<b>Temperature</b>	
Operating Range	-40 to +70 deg C
Wind Survivability	124 MPH [199.56 KPH]
Humidity	5 to 95 %

**Compliance Certifications** (see [product page](#) for current document)

### Plotted and Other Data

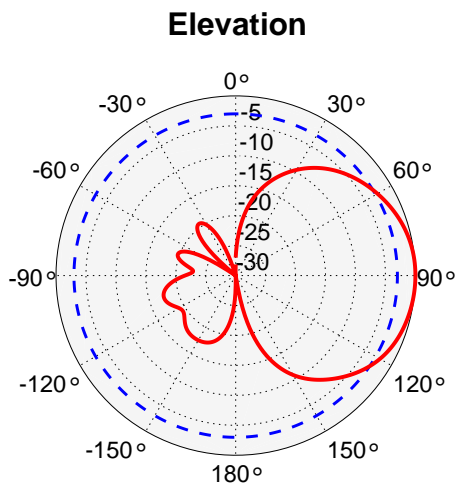
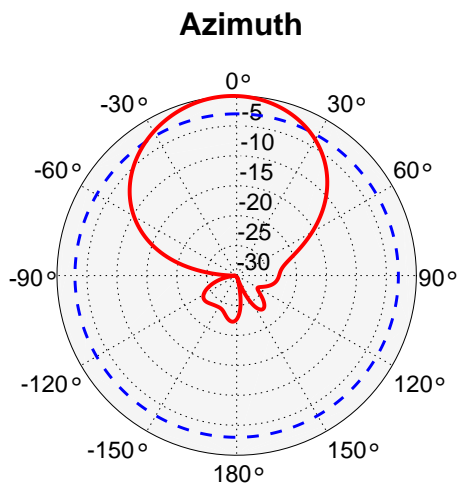
Notes:

2.4 GHz-2.5 GHz / 5.1 GHz-7.2 GHz, 6/6 dBi WiFi 6e 4x4 Dual Pol MIMO  
Outdoor Flat Panel Antenna - 4 x Type N Male on 1 meter RG58 pigtail

**HG2471-06DP-4NM**



**Radiation Patterns of 2450 MHz**

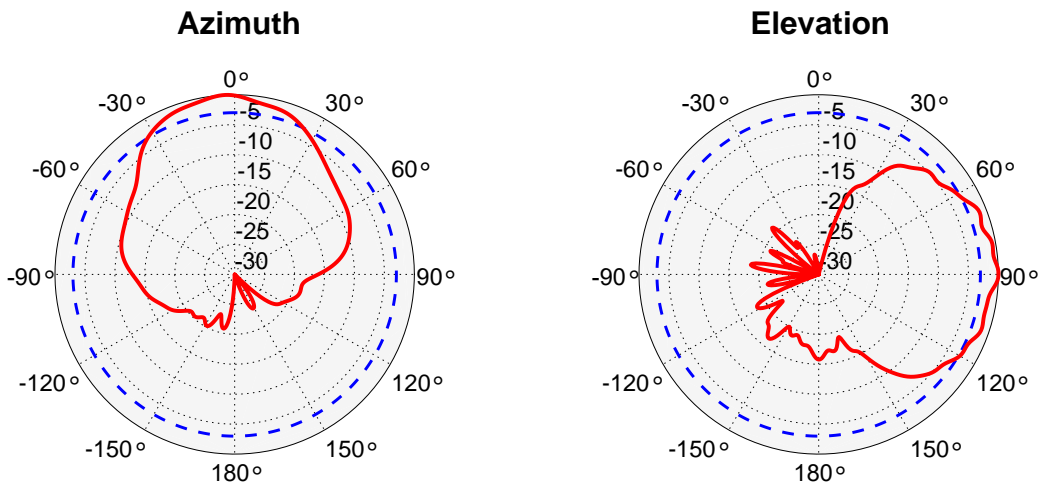


2.4 GHz-2.5 GHz / 5.1 GHz-7.2 GHz, 6/6 dBi WiFi 6e 4x4 Dual Pol MIMO  
Outdoor Flat Panel Antenna - 4 x Type N Male on 1 meter RG58 pigtail



**HG2471-06DP-4NM**

**Radiation Patterns of 5550 MHz**

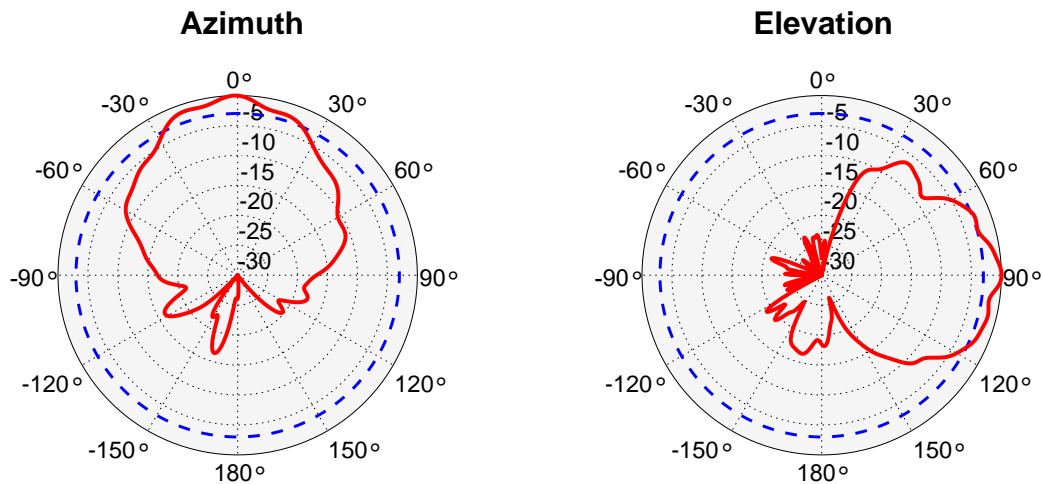


2.4 GHz-2.5 GHz / 5.1 GHz-7.2 GHz, 6/6 dBi WiFi 6e 4x4 Dual Pol MIMO  
Outdoor Flat Panel Antenna - 4 x Type N Male on 1 meter RG58 pigtail

**HG2471-06DP-4NM**



**Radiation Patterns of 7125 MHz**

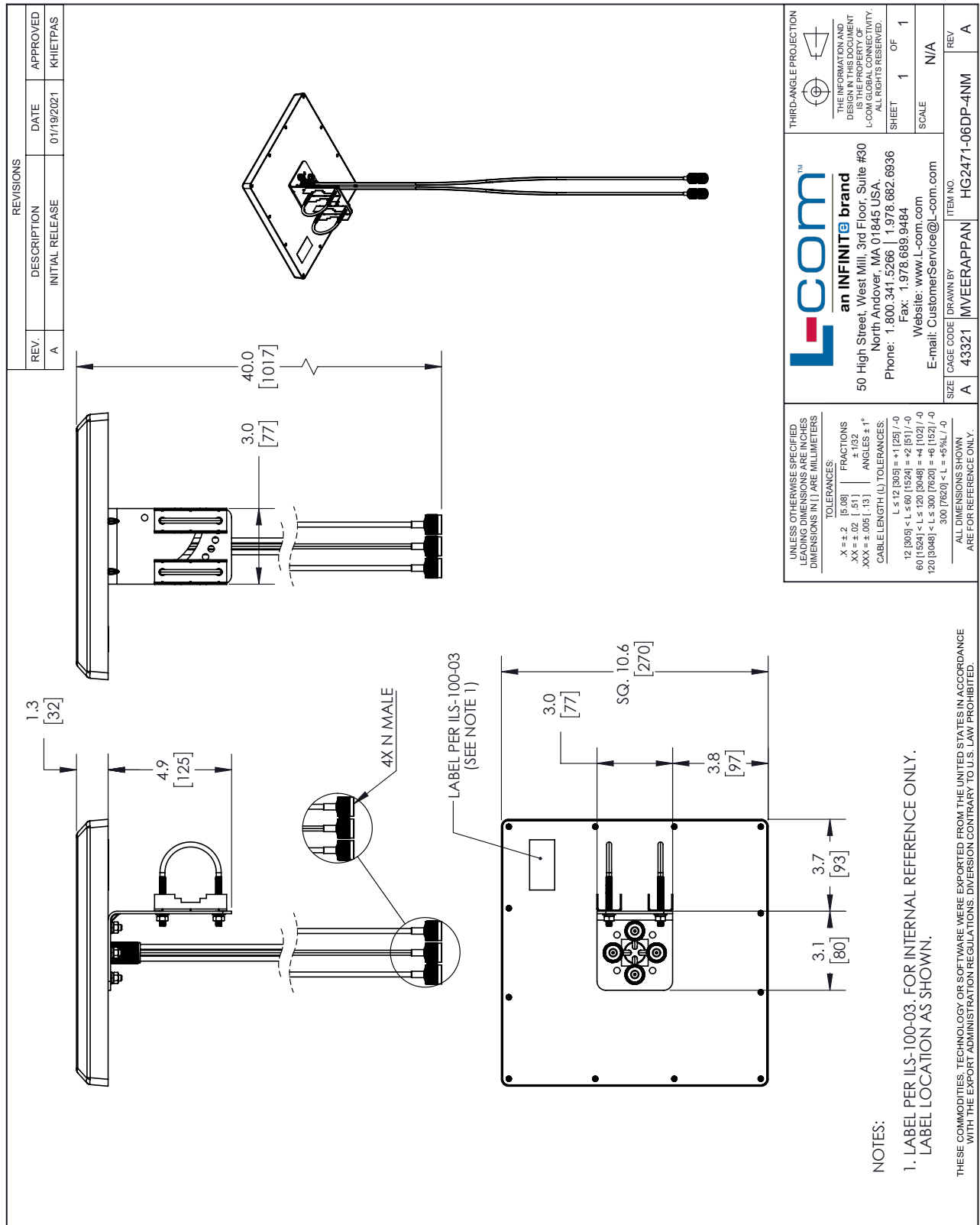


2.4 GHz-2.5 GHz / 5.1 GHz-7.2 GHz, 6/6 dBi WiFi 6e 4x4 Dual Pol MIMO Outdoor Flat Panel Antenna - 4 x Type N Male on 1 meter RG58 pigtail from L-com has same day shipment for domestic and International orders. Our portfolio includes coaxial cable assemblies, connectors, adapters and custom products as well as lightning and surge protectors, NEMA rated enclosures, and an RF product line which includes antennas, amplifiers, passive, and active components.

The information contained within this document is accurate to the best of our knowledge and representative of the part described herein. It may be necessary to make modifications to the part and/or the documentation of the part in order to implement improvements. L-com reserves the right to make such changes as required. Unless otherwise stated, all specifications are nominal. L-com does not make any representation or warranty regarding the suitability of the part described herein for any particular purpose, and L-com does not assume liability arising out of the use of any part or document.

2.4 GHz-2.5 GHz / 5.1 GHz-7.2 GHz, 6/6 dBi WiFi 6e 4x4 Dual Pol MIMO Outdoor Flat Panel Antenna - 4 x Type N Male on 1 meter RG58 pigtail

L-com CAD Drawing



NOTES:  
 1. LABEL PER ILS-100-03. FOR INTERNAL REFERENCE ONLY.  
 LABEL LOCATION AS SHOWN.

THESE COMMODITIES, TECHNOLOGY OR SOFTWARE WERE EXPORTED FROM THE UNITED STATES IN ACCORDANCE WITH THE EXPORT ADMINISTRATION REGULATIONS. DIVERSION CONTRARY TO U.S. LAW PROHIBITED.

T-Rev.D