

2300-2700 MHz 22 dBi Gain Mesh Parabolic 2x2 MIMO
Dish Antenna - 2 x Type N Male Connector



HG-2327DP-22EG-NM

Features

- Low Windload Mesh Design
- +/-45 Slant Polarization
- 22 dBi Gain
- 2x2 MIMO
- Type N Male Connector

Applications

- IEEE 802.11b/g/n wireless LAN, WiFi systems
- Long range directional applications
- 2.4 GHz ISM band
- Point to point and point to multi-point applications
- Wireless bridges and backhaul applications

Description

The L-com HG-2327DP-22EG-NM is a high performance WiFi Mesh Parabolic Dish antenna specifically designed for point to point communication. L-com's HG-2327DP-22EG-NM has 20 to 21 dBi gain and can be used to broadcast 2.4 GHz WiFi or unlicensed signals. The HG-2327DP-22EG-NM operates from 2300 to 2700 MHz which is ideal for Industrial, Medical, Science or other unlicensed applications including IEEE 802.11b/g/n Wireless LAN, Wireless Bridge and Backhaul. The Multiport design of the L-com HG-2327DP-22EG-NM antenna enables 2x2 MIMO applications.

The HG-2327DP-22EG-NM from L-com has directional patterns with Dual Slant ($\pm 45^\circ$) polarization and features 2 x Type N Male connectors. The Type N connectorized HG-2327DP-22EG-NM antenna from L-com is designed specifically for outdoor operation and is ideal for point to point use in large open areas such as base station installations or backhaul. The included mounting bracket and hardware makes this antenna very easy to install. This WiFi Mesh Parabolic Dish antenna just like our wide selection of superior quality RF parts, ship same day. Contact our knowledgeable and friendly technical support and sales staff for your answers on antennas or other L-com products."

Configuration

Design	Grid
Band Type	Single
Radiation Pattern	Directional
Polarization	H/V or 45 Deg. Slant
Connector Type	N Male
Lightning Protection	DC Ground

Electrical Specifications

Description	Minimum	Typical	Maximum	Units
Frequency Range	2,300		2,700	MHz
Input VSWR		2:1	2.5:1	
Impedance		50		Ohms
Gain		22		dBi
Gain			24	dBi
Gain Variation		± 2		dBi
Front to Back Ratio	30			dB

Click the following link (or enter part number in "SEARCH" on website) to obtain additional part information including price, inventory and certifications:
[2300-2700 MHz 22 dBi Gain Mesh Parabolic 2x2 MIMO Dish Antenna - 2 x Type N Male Connector HG-2327DP-22EG-NM](#)

2300-2700 MHz 22 dBi Gain Mesh Parabolic 2x2 MIMO
Dish Antenna - 2 x Type N Male Connector



HG-2327DP-22EG-NM

Horizontal (Azimuth) HPBW	11	Degrees
Vertical (Elevation) HPBW	11	Degrees
Input Power	50	Watts

Mechanical Specifications

Size

Length	24 in [609.6 mm]
Width	24 in [609.6 mm]
Height	12 in [304.8 mm]
Mounting Mast Diameter	1.18 to 1.96 in [29.97 to 49.78 mm]
Weight	4.4 lbs [2 kg]

Environmental Specifications

Temperature

Operating Range	-40 to +70 deg C
Mechanical Tilt	15 Degrees

Compliance Certifications (see [product page](#) for current document)

Plotted and Other Data

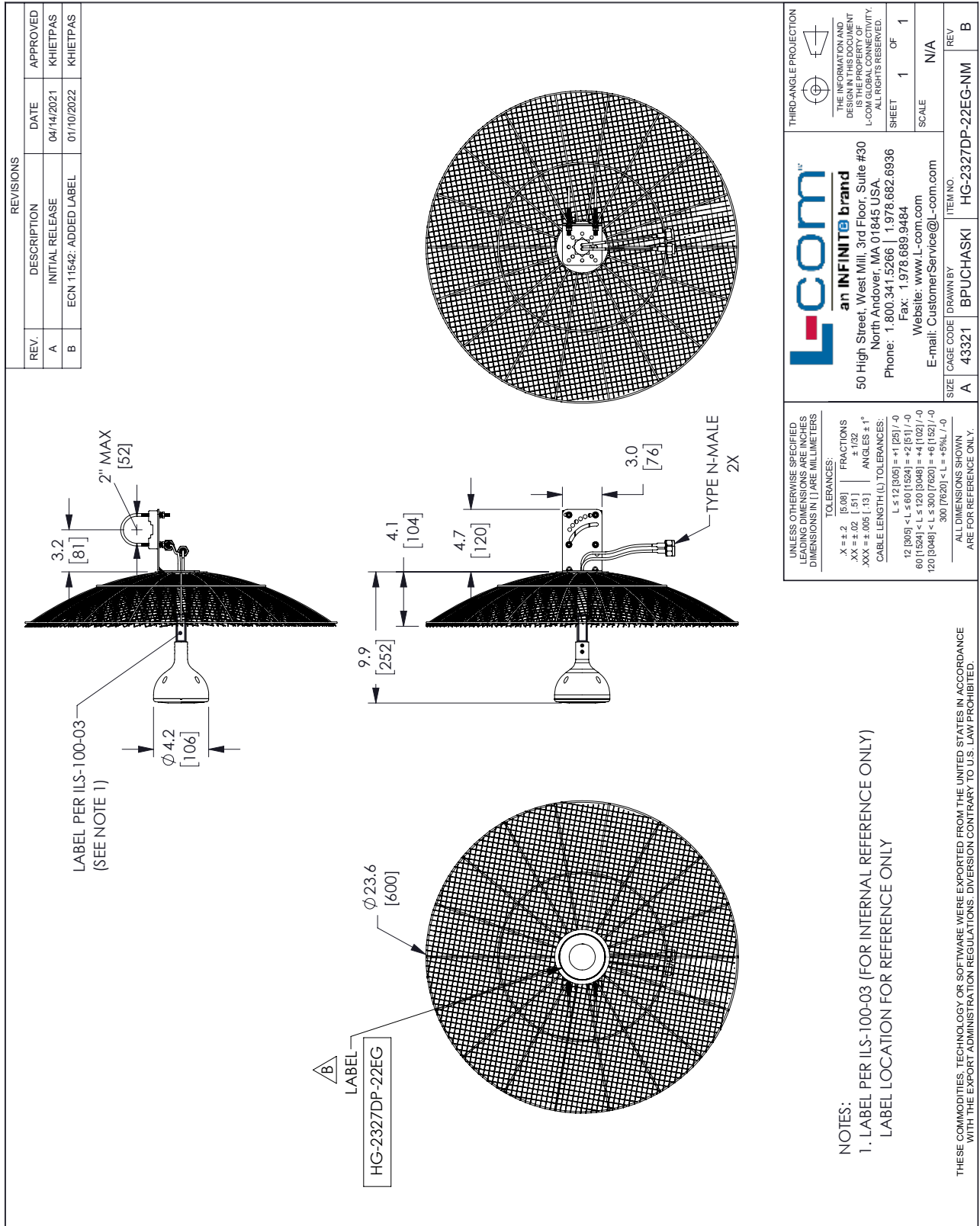
Notes:

2300-2700 MHz 22 dBi Gain Mesh Parabolic 2x2 MIMO Dish Antenna - 2 x Type N Male Connector from L-com has same day shipment for domestic and International orders. Our portfolio includes coaxial cable assemblies, connectors, adapters and custom products as well as lightning and surge protectors, NEMA rated enclosures, and an RF product line which includes antennas, amplifiers, passive, and active components.

The information contained within this document is accurate to the best of our knowledge and representative of the part described herein. It may be necessary to make modifications to the part and/or the documentation of the part in order to impliment improvements. L-com reserves the right to make such changes as required. Unless otherwise stated, all specifications are nominal. L-com does not make any representation or warranty regarding the suitability of the part described herein for any particular purpose, and L-com does not assume liability arising out of the use of any part or document.

2300-2700 MHz 22 dBi Gain Mesh Parabolic 2x2 MIMO Dish Antenna - 2 x Type N Male Connector

L-com CAD Drawing



REVISIONS			
REV.	DESCRIPTION	DATE	APPROVED
A	INITIAL RELEASE	04/14/2021	KHIETPAS
B	ECN 11542: ADDED LABEL	01/10/2022	KHIETPAS

UNLESS OTHERWISE SPECIFIED LEADING DIMENSIONS ARE INCHES DIMENSIONS IN [] ARE MILLIMETERS

TOLERANCES:
 .X = ±.2 [5.08] FRACTIONS ± 1/32
 .XX = ±.02 [.51] ANGLES ± 1°
 .XXX = ±.005 [.13] CABLE LENGTH (L) TOLERANCES:
 L ≤ 12 [305] = ± 1 [25] / -0
 12 [305] < L ≤ 60 [1524] = ± 2 [51] / -0
 60 [1524] < L ≤ 120 [3048] = ± 4 [102] / -0
 120 [3048] < L ≤ 300 [7620] = ± 6 [152] / -0
 300 [7620] < L ≤ +5%L / -0

ALL DIMENSIONS SHOWN ARE FOR REFERENCE ONLY.

THIRD-ANGLE PROJECTION

THE INFORMATION AND DESIGN ARE THE PROPERTY OF L-COM GLOBAL CONNECTIVITY. ALL RIGHTS RESERVED.
 SHEET 1 OF 1
 SCALE N/A

L-com
 an INFINITE brand
 50 High Street, West Mill, 3rd Floor, Suite #30
 North Andover, MA 01845, USA
 Phone: 1.800.341.5266 | 1.978.682.6936
 Fax: 1.978.689.9484
 Website: www.L-com.com
 E-mail: CustomerService@L-com.com

SIZE	CAGE CODE	DRAWN BY	ITEM NO.
A	43321	BPUCHASKI	HG-2327DP-22EG-NM

REV B

NOTES:
 1. LABEL PER ILS-100-03 (FOR INTERNAL REFERENCE ONLY)
 LABEL LOCATION FOR REFERENCE ONLY

THESE COMMODITIES, TECHNOLOGY OR SOFTWARE WERE EXPORTED FROM THE UNITED STATES IN ACCORDANCE WITH THE EXPORT ADMINISTRATION REGULATIONS. DIVERSION CONTRARY TO U.S. LAW PROHIBITED.

T:Rev.D