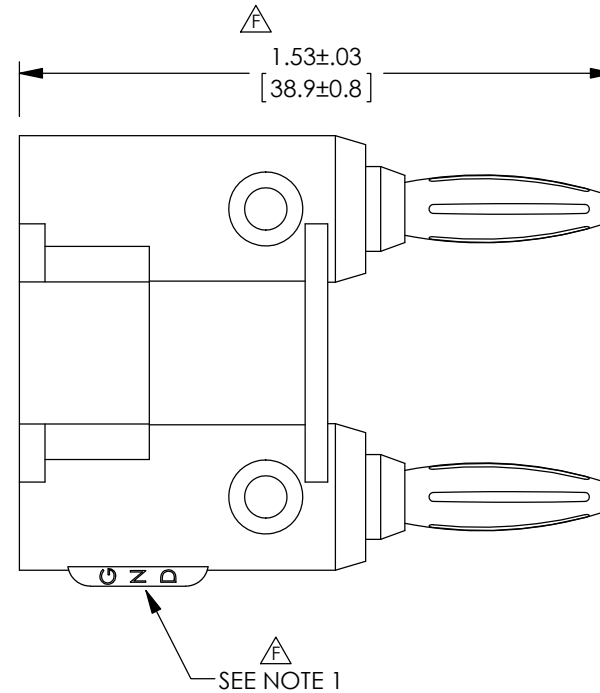
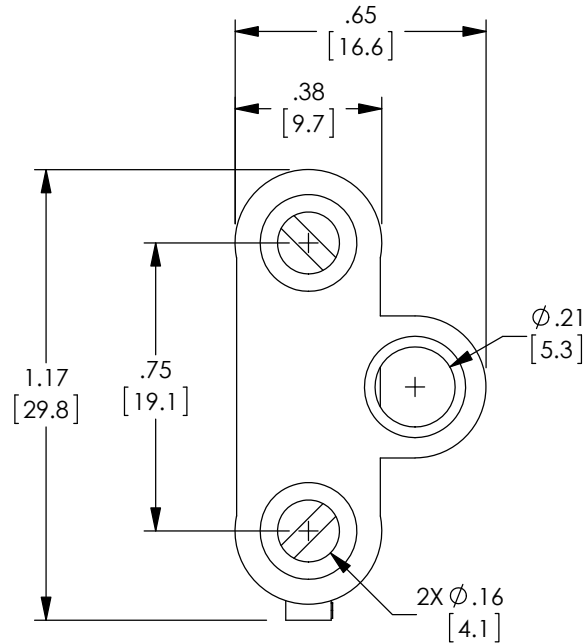


THE INFORMATION CONTAINED IN THIS DRAWING IS THE SOLE PROPERTY OF L-COM, INC. ANY REPRODUCTION IN PART OR WHOLE WITHOUT THE WRITTEN PERMISSION OF L-COM, INC. IS PROHIBITED.

REVISIONS			
REV	DESCRIPTION	DATE	APPROVED
C	ECN 4569: ADDED NOTE 1 AND NEW FORMAT	2/19/10	D.FRISIELLO
D	ECN 7431 ADD NOTES :CONDUCT RESIST,INSUL RESIST,ELECTRICAL TEST	5/8/14	B.PUCHASKI
E	ECN 7465: CHANGED HOUSING MATERIAL FROM POLYETHYLENE TO ABS. UPD PICTORALLY.	6/3/14	D. DESJARDIN
F	ECN7503 MAT. CHANGE COPPER TO ZINC ALLOY,CHANGE LENGTH DIM,ADD CALL OUT	07/01/14	B.PUCHASKI

DESCRIPTION	MATERIAL	FINISH
BODY	ABS	BLACK
PLUGS	ZINC ALLOY	GOLD PLATE



NOTES:

ELECTRICAL:

CONDUCTOR RESISTANCE: 5 OHM MAX

INSULATION RESISTANCE: DC 300V 5Mohm MIN

ELECTRICAL TEST: 100% OPEN SHORT & MISS WIRE TEST

PACKAGING:

COMPONENT SHALL BE INDIVIDUALLY PACKAGED IN ACCORDANCE WITH L-COM SPECIFICATION PS-0031.

MISCELLANEOUS:

1. TAB DENOTES THIS SIDE IS GROUND.
2. ALL DIMENSIONS ARE FOR REFERENCE ONLY.

REGULATORY COMPLIANCE:

CE2011/65/EU(RoHS DIRECTIVE)

UNLESS OTHERWISE SPECIFIED, DIMENSIONS ARE IN INCHES [mm] OVERALL CABLE LENGTH TOLERANCE: ≤12 [305] = +1 [25] / -0 >12 [305] ≤60 [1524] = +2 [51] / -0 >60 [1524] ≤120 [3048] = +4 [102] / -0 >120 [3048] ≤300 [7620] = +6 [152] / -0 >300 [7620] = +5% / -0%	APPROVALS	DATE		45 BEECHWOOD DRIVE NORTH ANDOVER, MA 01845
	DRAWN BY C.MCCORMICK	12/29/2003		CATEGORY COAXIAL
ALL OTHER DIMENSIONAL TOLERANCES: .X = ± .2 [5.08] .XX = ± .02 [1.51] .XXX = ±.005 [1.13]	CHECKED BY D.PARHAM	12/29/2003	PRODUCT DESCRIPTION CONNECTOR DUAL BANANA PLUG	
	APPROVED BY R.CARRICK	12/29/2003		
PROJECTION 	CONFIGURATION DETAILS OF UNDIMENSIONED FEATURES MAY VARY	COLOR VARIATIONS MAY OCCUR	DWG. NO. BP125209	REV. F
SCALE: NONE			CAD FILE: BP125209.SLDDRW	
			SHEET 1 OF 1	