



Digital Video Extender
Low Power, Small Form Factor,
DVI-D Video

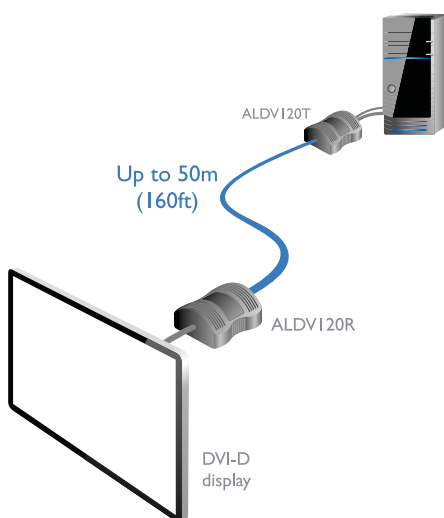
ADDERLink DV120

Digital video extender over a single cable

PRODUCT IN BRIEF

The ADDERLink DV120 is an easy to install, highly compact video extender system that can transmit an HD video stream over a single CATx cable. This allows you to locate your media playback hardware in a secure and temperature controlled environment. Thus, your valuable systems are kept safely away from the display point environment whilst maintaining precisely the same user experience.

The ADDERLink DV120 is ideally suited to the Digital Signage (DOOH - Digital Out-Of-Home) and Audio Visual (AV) industries.



FEATURES

Pixel perfect digital video

The ALDV120 uses an uncompressed communication system whereby the pixels of every frame are sent without loss. Resolutions up to 1920x1200 @60Hz (WUXGA) are supported.

Up to 50 meters over a single CATx cable

Video and power pass along a single cable, providing a maximum of 50 meters extension. The actual achievable extension distance is dependent upon the CATx cable type used and the number of connection breaks for patch panels and wall plates. Please see the table on reverse for details.

Highly energy efficient - No external power supplies are required

The AdderLink DV120 is designed to be highly power efficient, using less than an eighth of the power required by some competing systems. By harvesting power from a standard USB socket, no external PSUs are needed and hence the support infrastructure required is kept to an absolute minimum.

EDID management

The system has intelligent EDID management to allow the true characteristics of the monitor to be passed back to the computer.

Plug and Play

The AdderLink DV120 extenders are delivered in a zero config state so you can connect their two units and start working with them immediately. There's no need for drivers or software to be installed.

Perfect video wall companion

With locking connectors and no power supplies required at the receiver, the ALDV120 makes a perfect companion for video walls where the controller must be located far from the screens.

Built to last

Adder Technology have a well-earned reputation for creating products that perform well and stay the course. AdderLink DV120 is no exception and features tough, yet lightweight ABS enclosures to ensure they can easily withstand everyday treatment. The internal components and external connectors too are selected for their reliability in addition to their performance characteristics.



ADDERLink DVI20

Digital video extender over a single cable

ABOUT ADDER

Adder is a leading developer and thought leader in connectivity solutions. Adder's advanced range of high performance KVM switches, extenders and IP solutions enable the control of local, remote and global IT systems across the enterprise. The company distributes its products in more than 60 countries through a network of distributors, resellers and OEMs. Adder has offices in the United States, United Kingdom, Germany, the Netherlands, Sweden, China and Singapore.

To find out more, visit:
<http://www.adder.com>

TECHNICAL SPECIFICATIONS

Hardware compatibility

All computers with DVI-D and USB connections - requirement dependent

DVI-D interface

The system supports resolutions such as 480p, 720p, 1080P or WUXGA (1920 x 1200) @ 60Hz* and 24 bit color depth

* with reduced blanking

Software compatibility

All known operating systems

Computer connections at transmitter (TX)

DVI-D male,
USB type A (for power only)

Display connections at receiver (RX)

DVI-D male

Power

USB powered, 5VDC -2.5W for both RX and TX units combined

ORDERING INFORMATION

ALDVI20P: Pair including TX and RX units

ADDITIONAL ACCESSORIES

VSCAT7-50: 50 meters of CAT7 Shielded foiled twisted pair cable

PSU-LPV-KIT: External power adapter and USB conversion cable

Physical design

Injection moulded ABS cases:
45mm / 1.8" (w) x 63mm / 2.5" (d) x
21mm / 0.8" (h) with 30cm / 12" pigtails,
Weight 250g / 0.6 lb per pair

Operating temperature

0 to 40°C / 32 to 104°F

Approvals

CE, FCC

RELATED PRODUCTS

Adder offer a vast range of products to suit your needs. Other products you may be interested in include:

ADDERLink LPV154T
ALPV154T



ADDERLink LPV150
ALPV150P; ALPV150R;
ALPV150T



ADDERLink AV100P
ALAV100P; ALAV100R;
ALAV100T; ALAV104T;
ALAV101R



Important extension distance Information

Recommended cables are CAT7 shielded foiled twisted pairs:

Daetwyler 7702 Flexible patch cable
Daetwyler 7120 Bulk cable

Category 6 (or better) shielded twisted pair cable must be used to connect the local and remote units in order to maintain compliance with radio frequency energy emission regulations and ensure a suitably high level of immunity to electromagnetic disturbances.

Resolution	Cable type	Patch connections	Total distance
1920x1200 @60Hz	CAT7	0	50 meters
1920x1200 @60Hz	CAT6a (shielded)	0	50 meters
1920x1200 @60Hz	CAT6a (shielded)	2	40 meters
1920x1200 @60Hz	CAT7	2	40 meters

Note:

Distances are achieved using single lengths of trunk/bulk cable. For each break/patch connection reduce distance by 5 meters. Preferably patch cables should be of type CAT7 and less than 2 meters. Patch cables over 2 meters must be CAT7.

© Copyright 2013 Adder Technology Ltd. All brand names and trademarks are the property of their respective owners. SC-ALDVI20_v2-2 no HDMI.indd