

## Weatherproof 4/8 Ohm Audio System Lightning and Surge Protector Model: AL-D2-AW

### Applications

- 4/8 Ohm audio systems (typical home systems)
- Ideal for use with outdoor pool and patio audio systems

### Features

- Weatherproof ABS enclosure
- Gasketed cover and concealed mounting holes
- Screw terminals for speaker wiring
- Ground clamp provided on outside of enclosure

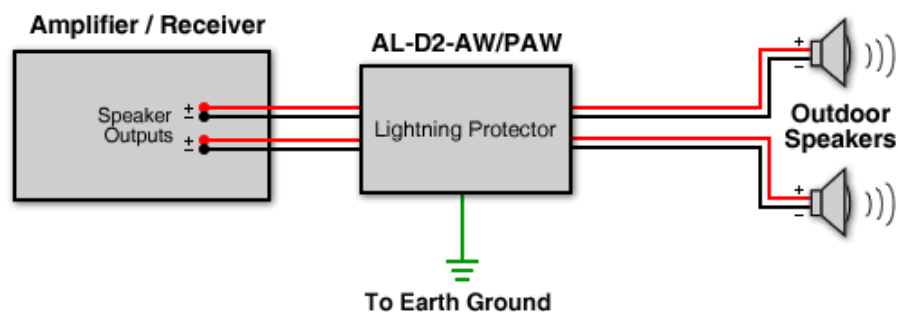


### Description

#### Two Channel Protection for Audio Systems

The AL-D2-AW is a two channel high performance weather-proof two-stage lightning protector capable of protecting a 100 Watt RMS\* stereo receiver or amplifier from surges on its speaker wires. This model provides protection to two pairs of wires. It can also be used with mono systems such as public address systems driving up to two speakers.

The AL-D2-AW is designed for use with 4/8 ohm audio systems (typical home systems) driving outdoor speakers installed in open areas, such as pool and patios.



#### Weather-Proof Construction

The AL-D2-AW features a weatherproof ABS enclosure with gasketed cover and concealed mounting holes. Weather-Proof conduits provide access to internal input and output terminal strips. For maximum protection, a ground clamp provides a tie point for earth ground.



**Specifications**

**Electrical Specifications**

Audio Channels	2
Max Input Power	100 Watt RMS/Channel*
Connectors	Screw Terminal
Stage 1	5 Amp Fuse
Stage 2	82 Volt Varistor Array
*Higher input power ratings are also available. Contact us for more information.	

**Mechanical Specifications**

Enclosure Material	ABS
Enclosure Color	Dark Gray
Grounding Clamp	10 AWG Max.
Operating Temperature	-40°C to +80°C (-40°F to +176°F)
Weight	.38 lb. (.17kg)
Dimensions	6.3 x 3.15 x 2.17 in (160.6 x 80 x 55 mm)
RoHS Compliant	Yes

