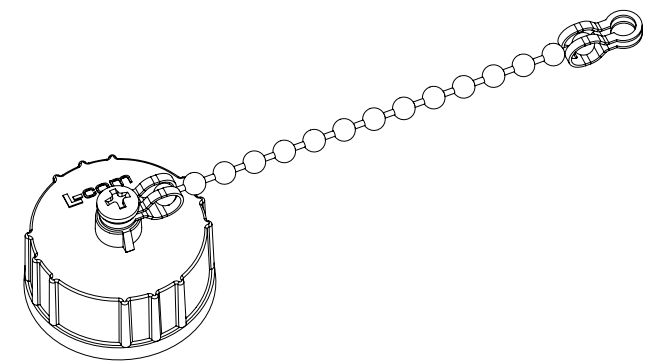
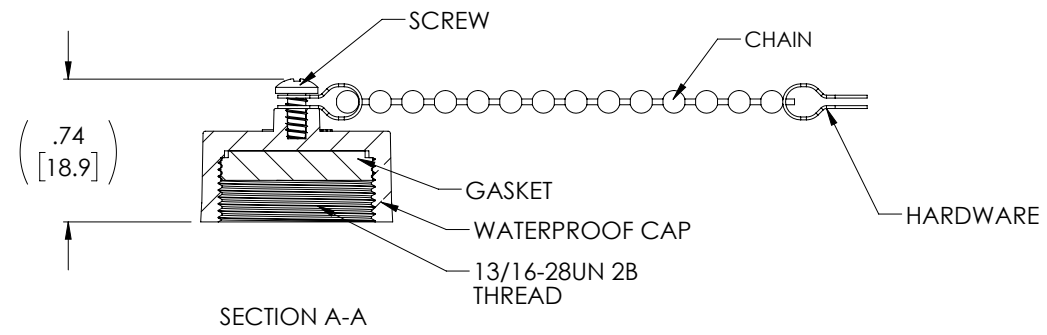
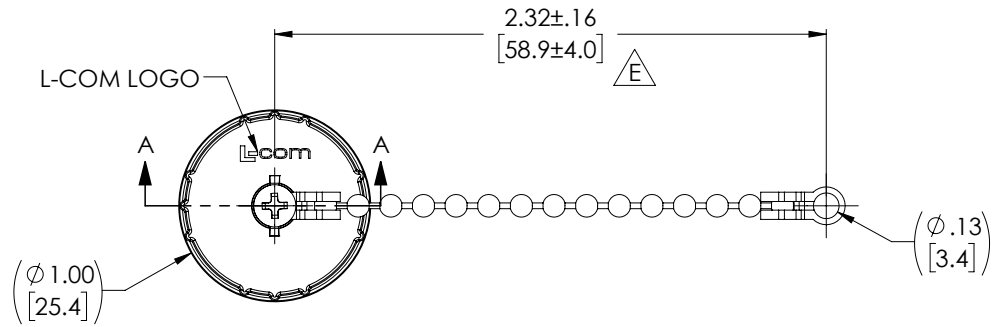


THE INFORMATION CONTAINED IN THIS DRAWING IS THE SOLE PROPERTY OF L-COM, INC. ANY REPRODUCTION IN PART OR WHOLE WITHOUT THE WRITTEN PERMISSION OF L-COM, INC. IS PROHIBITED.

REVISIONS			
REV	DESCRIPTION	DATE	APPROVED
E	ECN 9630:2.32 TOLERANCE FROM .10 CHANGE TO .16 ,REMOVE RoHS	01/17/2019	DCUI



NOTES:

MATERIAL :
 CAP: PC+ABS, BLACK
 GASKET: EPDM, BLACK
 CHAIN: BRASS
 SCREW: STAINLESS STEEL
 HARDWARE: STAINLESS STEEL

FINISH:
 CHAIN: NICKEL PLATED, 40μ INCHES

MISCELLANEOUS:
 INGRESS RATING: IP67(MATED)
 CABLE ASSEMBLY SHALL BE INDIVIDUALLY PACKAGED IN ACCORDANCE WITH L-COM SPECIFICATION PS-0031.

UNLESS OTHERWISE SPECIFIED, DIMENSIONS ARE IN INCHES [mm] OVERALL CABLE LENGTH TOLERANCE: ≤12 [305] = +1 [25] / -0 >12 [305] ≤60 [1524] = +2 [51] / -0 >60 [1524] ≤120 [3048] = +4 [102] / -0 >120 [3048] ≤300 [7620] = +6 [152] / -0 >300 [7620] = +5% / -0% ALL OTHER DIMENSIONAL TOLERANCES: .X = ± .2 [5.08] .XX = ± .02 [5.1] .XXX = ±.005 [1.3]	APPROVALS DRAWN BY CHECKED BY APPROVED BY	DATE 12/09/2003 12/09/2003 12/09/2003	L-com Global Connectivity 50 HIGH STREET NORTH ANDOVER, MA 01845	
	CONFIGURATION DETAILS OF UNDIMENSIONED FEATURES MAY VARY		CATEGORY USB	
	PROJECTION 		PRODUCT DESCRIPTION WATERPROOF CAP, USB	
	COLOR VARIATIONS MAY OCCUR		SIZE A	FSCM NO. 43321
		SCALE: NONE CAD FILE: WPUSB-CVR.SLDDRW		REV. E SHEET 1 OF 1