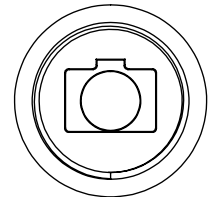
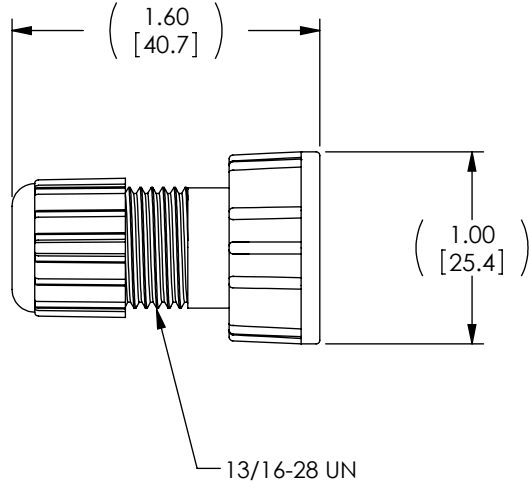


THE INFORMATION CONTAINED IN THIS DRAWING IS THE SOLE PROPERTY OF L-COM, INC. ANY REPRODUCTION IN PART OR WHOLE WITHOUT THE WRITTEN PERMISSION OF L-COM, INC. IS PROHIBITED.

REVISIONS			
REV	DESCRIPTION	DATE	APPROVED
A	INITIAL RELEASE	3/30/10	D.GRIFFIN



**NOTES:**

- MATERIAL:**  
SCREW NUT: NYLON, GLASS FILLED, BLACK  
GASKET: EPDM, BLACK  
HOUSING: NYLON, BLACK.  
SEALING NUT: NYLON, BLACK.
- MISCELLANEOUS:**  
INGRESS PROTECTION RATING: IP67.  
COMPONENT SHALL BE INDIVIDUALLY PACKAGED IN ACCORDANCE WITH L-COM SPEC. PS-0031

UNLESS OTHERWISE SPECIFIED, DIMENSIONS ARE IN INCHES [mm] OVERALL CABLE LENGTH TOLERANCE: ≤12 [305] = +1 [25] / -0 >12 [305] ≤60 [1524] = +2 [51] / -0 >60 [1524] ≤120 [3048] = +4 [102] / -0 >120 [3048] ≤300 [7620] = +6 [152] / -0 >300 [7620] = +3% / -0% ALL OTHER DIMENSIONAL TOLERANCES: .X = ±.2 .XX = ±.02 .XXX = ±.005	APPROVALS DRAWN BY D. CASTRO CHECKED BY D. PARHAM APPROVED BY P. MCNEIL	DATE 3/26/10 3/29/10 3/29/10	45 BEECHWOOD DRIVE NORTH ANDOVER, MA 01845		
	CONFIGURATION DETAILS OF UNDIMENSIONED FEATURES MAY VARY	CATEGORY <b>MODULAR</b>	PRODUCT DESCRIPTION <b>RJ45 IP67 SHORT STRAIN RELIEF</b>		
PROJECTION 	COLOR VARIATIONS MAY OCCUR	SIZE <b>A</b>	FSCM NO. <b>43321</b>	DWG. NO. <b>WPRJ-SSR</b>	REV. <b>A</b>
SCALE: NONE		CAD FILE: WPRJ-SSR.SLDDRW		SHEET 1 OF 1	