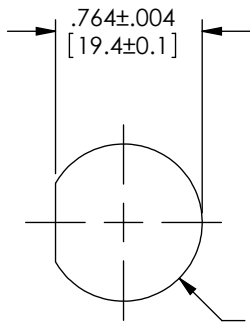


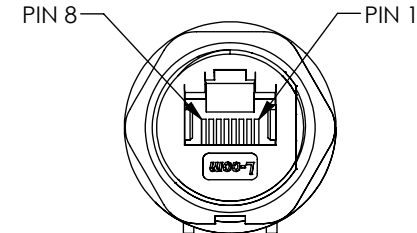
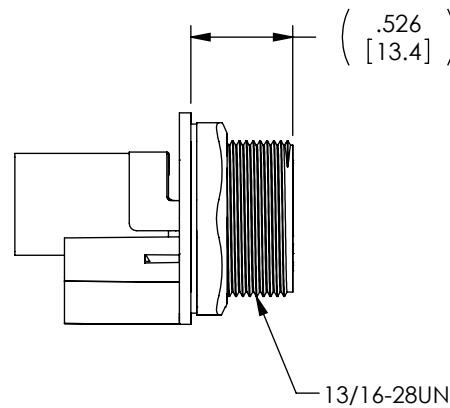
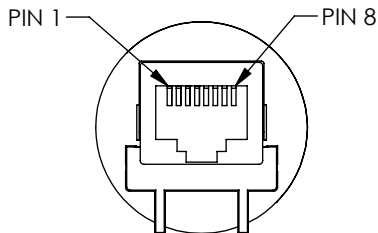
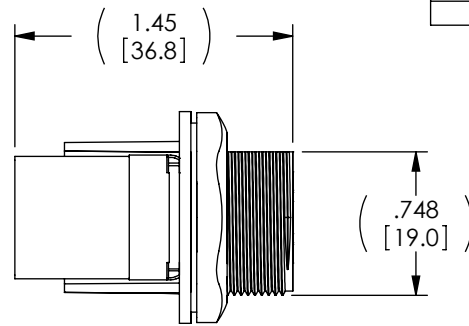
THE INFORMATION CONTAINED IN THIS DRAWING IS THE SOLE PROPERTY OF L-COM, INC. ANY REPRODUCTION IN PART OR WHOLE WITHOUT THE WRITTEN PERMISSION OF L-COM, INC. IS PROHIBITED.

REVISIONS			
REV	DESCRIPTION	DATE	APPROVED
A	INITIAL RELEASE	3/30/10	D.GRIFFIN



RECOMMENDED
PANEL CUTOUT

Ø.819±.004
[20.8±0.1]



NOTES:

1. MATERIAL:

NUT: NYLON, GLASS FILLED BLACK
 GASKET: EPDM, BLACK
 HOUSING: NYLON, GLASS FILLED, BLACK.
 PIN: BRASS, GOLD PLATED.
 PCB: FR-4.
 JACK: PBT POLYESTER, UL94V-0.
 SHIELD: BRASS, NICKEL PLATED.

2. MISCELLANEOUS:

INGRESS PROTECTION RATING: IP67.
 FOR PANEL THICKNESS MAX: .110" [2.8mm].
 USE WITH WATERPROOF CAP OR DUST CAP FOR PANEL THICKNESS: .063" [1.6mm].
 COMPONENT SHALL BE TESTED FOR CONTINUITY.
 COMPONENT SHALL BE INDIVIDUALLY PACKAGED IN ACCORDANCE WITH L-COM SPEC. PS-0031

UNLESS OTHERWISE SPECIFIED, DIMENSIONS ARE IN INCHES [mm] OVERALL CABLE LENGTH TOLERANCE: ≤12 [305] = +1 [25] / -0 >12 [305] ≤60 [1524] = +2 [51] / -0 >60 [1524] ≤120 [3048] = +4 [102] / -0 >120 [3048] ≤300 [7620] = +6 [152] / -0 >300 [7620] = +3% / -0% ALL OTHER DIMENSIONAL TOLERANCES: .X = ±.2 .XX = ±.02 .XXX = ±.005	APPROVALS DRAWN BY D. CASTRO CHECKED BY D. PARHAM APPROVED BY P. MCNEIL	DATE 3/25/10 3/29/10 3/29/10	45 BEECHWOOD DRIVE NORTH ANDOVER, MA 01845			
	CONFIGURATION DETAILS OF UNDIMENSIONED FEATURES MAY VARY			CATEGORY MODULAR		
	PROJECTION 	COLOR VARIATIONS MAY OCCUR	SIZE A	FSCM NO. 43321	DWG. NO. WPRJ-FTCAT5E	REV. A
	SCALE: NONE		CAD FILE: WPRJ-FTCAT5E.SLDDRW		SHEET 1 OF 1	