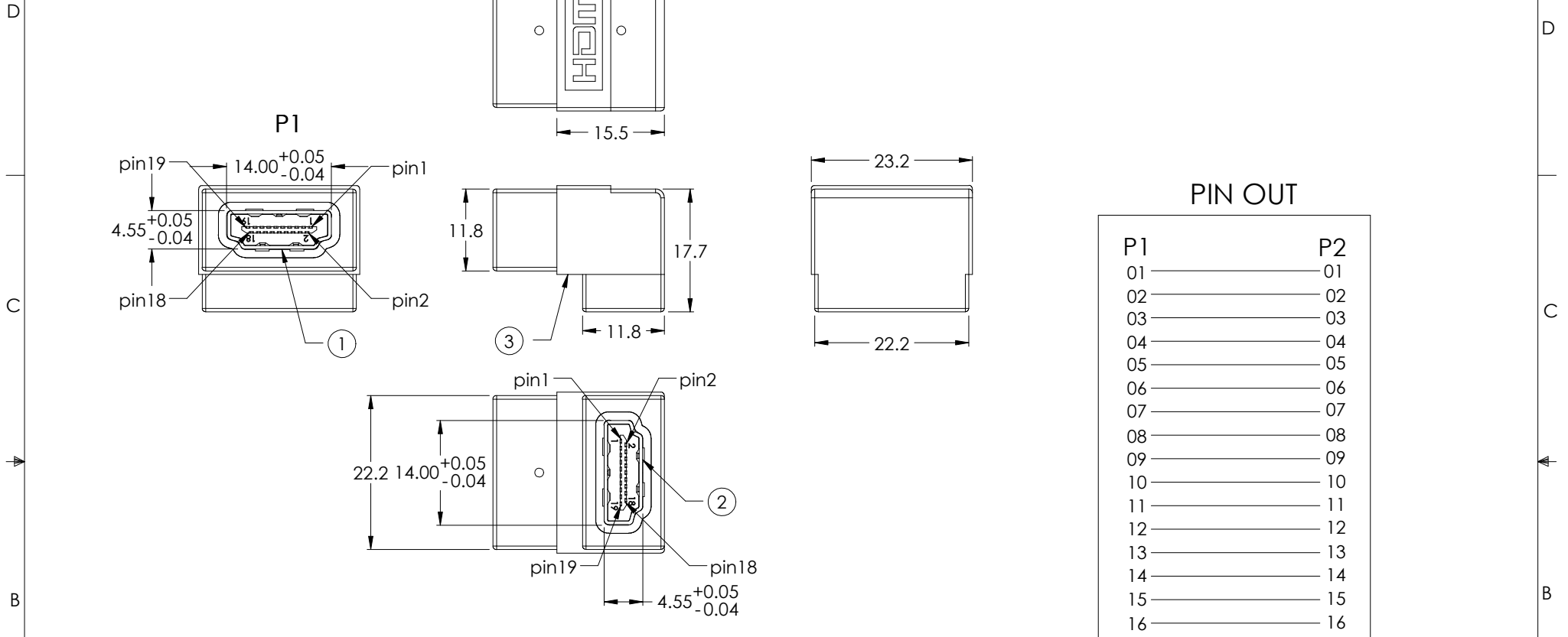


THE INFORMATION CONTAINED IN THIS DRAWING IS THE SOLE PROPERTY OF L-COM, INC. ANY REPRODUCTION IN PART OR WHOLE WITHOUT THE WRITTEN PERMISSION OF L-COM, INC. IS PROHIBITED.

REVISIONS			
REV	DESCRIPTION	DATE	APPROVED
A	INITIAL RELEASE	07/31/17	J.YOU



PIN OUT

P1	P2
01	01
02	02
03	03
04	04
05	05
06	06
07	07
08	08
09	09
10	10
11	11
12	12
13	13
14	14
15	15
16	16
17	17
18	18
19	19
S	S

NOTES:

Electrical Properties:

1. It should be no any open/short, miswiring and intermittent failures.
2. The cable shall be 100% electrical test.
3. Voltage test: DC 300V 10MS;
Insulation resistance: 5.0M ohm/min;
Conductance resistance: 5.0 ohm/max.

Machinery Character:

1. All dimension are "mm" except specified.
2. The cable should be clean, free of oiled/flash/burred.
3. Package:individually packaged in a clear polybag.
4. Cable Ass'y shall be RoHS Compliant.

Item	DESCRIPTION	UNIT	QTY
3	Outer molded: 45P PVC, Color: Black.	G	10
2	Conn: HDMI 19P A Female, shell & pin gold flash, insulaton Black.	PCS	1
1	Conn: HDMI 19P A Female, shell & pin gold flash, insulaton Black.	PCS	1

UNLESS OTHERWISE SPECIFIED, DIMENSIONS ARE IN INCHES [mm] OVERALL CABLE LENGTH TOLERANCE: ≤12 [305] = +1 [25] / -0 >12 [305] ≤60 [1524] = +2 [51] / -0 >60 [1524] ≤120 [3048] = +4 [102] / -0 >120 [3048] ≤300 [7620] = +6 [152] / -0 >300 [7620] = +5% / -0% ALL OTHER DIMENSIONAL TOLERANCES: .X = ± .2 [5.08] .XX = ± .02 [1.51] .XXX = ±.005 [1.13]	APPROVALS DRAWN BY J.YOU CHECKED BY B.GATES APPROVED BY B.GATES	DATE 07/31/17 07/31/17 07/31/17		50 HIGH STREET NORTH ANDOVER, MA 01845	
	CONFIGURATION DETAILS OF UNDIMENSIONED FEATURES MAY VARY		CATEGORY AUDIO/VIDEO	PRODUCT DESCRIPTION HDMI 19P AF TO AF 90°	
	PROJECTION 	COLOR VARIATIONS MAY OCCUR	SIZE A	FSCM NO. 43321	DWG. NO. VHC00007
	SCALE: NONE		CAD FILE: VHC00007.SLDDRW		REV. A