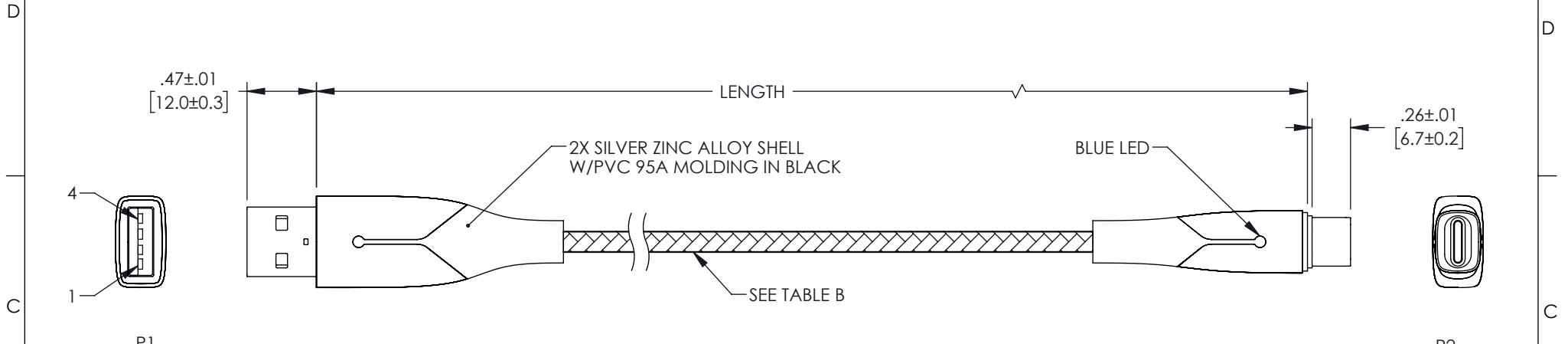


THE INFORMATION CONTAINED IN THIS DRAWING IS THE SOLE PROPERTY OF L-COM, INC. ANY REPRODUCTION IN PART OR WHOLE WITHOUT THE WRITTEN PERMISSION OF L-COM, INC. IS PROHIBITED.

| REVISIONS | | | |
|-----------|-----------------|-----------|-------------|
| REV | DESCRIPTION | DATE | APPROVED |
| A | INITIAL RELEASE | 7/14/2022 | DGUITADAURO |
| | | | |
| | | | |



P1
USB 2.0 A MALE
CONNECTOR

P2
USB 2.0 C MALE
CONNECTOR


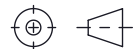
| TABLE B | |
|---------|---|
| LENGTH | CABLE |
| 1M | 30AWG(11/0.08TC*1P)+24AWG(46/0.08TC*2C), JACKET: BLACK PVC WITH BLACK COTTON BRAID |
| 2M | 30AWG(11/0.08TC*1P)+22AWG(43/0.10TC*2C), JACKET: BLACK PVC WITH BLACK COTTON BRAID |
| 3M | 30AWG(11/0.08TC*1P)+20AWG(60/0.10TC*2C), JACKET: BLACK PVC WITH BLACK COTTON BRAID |

| P1 | P2 |
|----|----|
| 1 | 1 |
| 2 | 2 |
| 3 | 3 |
| 4 | 4 |

| PART NUMBER | LENGTH | |
|-----------------|--------|---------|
| | FEET | METERS |
| USBCA2LED-MM-1M | 3.28 | 1.0±.02 |
| USBCA2LED-MM-2M | 6.56 | 2.0±.03 |
| USBCA2LED-MM-3M | 9.84 | 3.0±.03 |

- NOTES:
- CABLE ASSEMBLY SHALL MEET USB 2.0 REQUIREMENTS.
 - CABLE ASSEMBLY SHALL BE TESTED FOR CONTINUITY.
 - CABLE ASSEMBLY SHALL BE INDIVIDUALLY PACKAGED IN ACCORDANCE WITH L-COM SPECIFICATION PS-0031.

REGULATORY COMPLIANCE:
EU RoHS DIRECTIVE (MOST RECENT RELEASED VERSION)

| | | | |
|--|---|---|---|
| UNLESS OTHERWISE SPECIFIED, DIMENSIONS ARE IN INCHES [mm] OVERALL CABLE LENGTH TOLERANCE: ≤12 [305] = +1 [25] / -0 >12 [305] ≤60 [1524] = +2 [51] / -0 >60 [1524] ≤120 [3048] = +4 [102] / -0 >120 [3048] ≤300 [7620] = +6 [152] / -0 >300 [7620] = +5% / -0 ALL OTHER DIMENSIONAL TOLERANCES: .X = ±.2 [5] FRACTIONS ± 1/32 .XX = ±.02 [.5] ANGLES ± 1° .XXX = ±.005 [1.3] | APPROVALS DRAWN BY DMAY CHECKED BY HBAKKE APPROVED BY DGUITADAURO | DATE 6/21/2022 7/13/2022 7/14/2022 |  an INFINITO brand 50 High Street, West Mill, North Andover, MA 01845 USA. Phone: 1.800.341.5266 1.978.682.6936 |
| | THIRD-ANGLE PROJECTION  | CONFIGURATION DETAILS OF UNDIMENSIONED FEATURES MAY VARY COLOR VARIATIONS MAY OCCUR | PRODUCT DESCRIPTION USB2.0 LED A MALE TO C MALE CABLE WITH COTTON BRAID |
| SIZE A | | CAGE CODE 43321 | ITEM NO. USBCA2LED-MM |
| SCALE: NONE | | CAD FILE: USBCA2LED-MM.SLDDRW | REV. A SHEET 1 OF 1 |