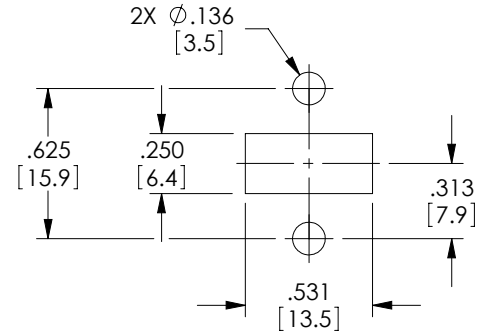
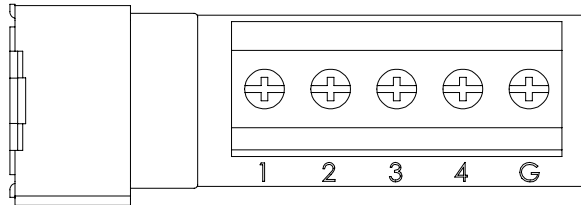


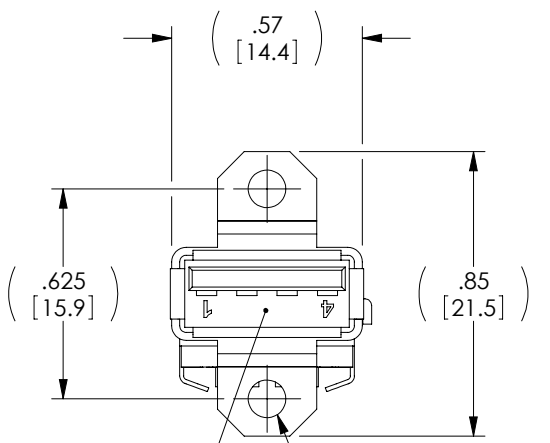
THE INFORMATION CONTAINED IN THIS DRAWING IS THE SOLE PROPERTY OF L-COM, INC. ANY REPRODUCTION IN PART OR WHOLE WITHOUT THE WRITTEN PERMISSION OF L-COM, INC. IS PROHIBITED.

REVISIONS			
REV	DESCRIPTION	DATE	APPROVED
A	INITIAL RELEASE	11/18/09	D.GRIFFIN
A	ECN 99999: CHANGED SCREW HEADS TO PHILLIPS/SLOTTED	11/25/09	D. CASTRO
B	ECN4842: ADDED SIGNAL COLUMN TO WIRE MAP. MOFIFIED NOTE 3.	06/16/10	DFO

WIRE MAP		
"J1"	"J2"	SIGNAL
1	1	CABLE POWER
2	2	DATA-
3	3	DATA+
4	4	CABLE GROUND
GND	GND	CONNECTOR SHELL

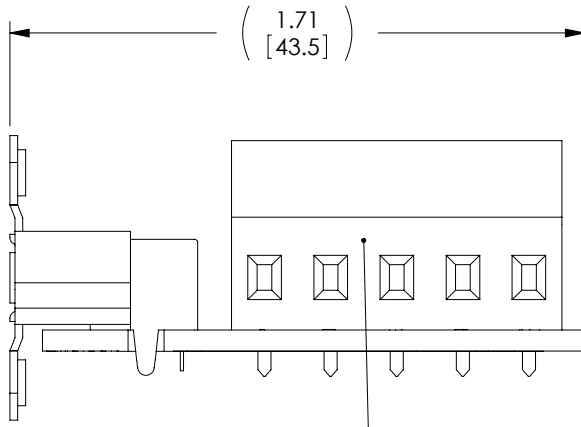


RECOMMENDED  
PANEL MOUNTING  
(FOR PANELS .11 THICK OR LESS)

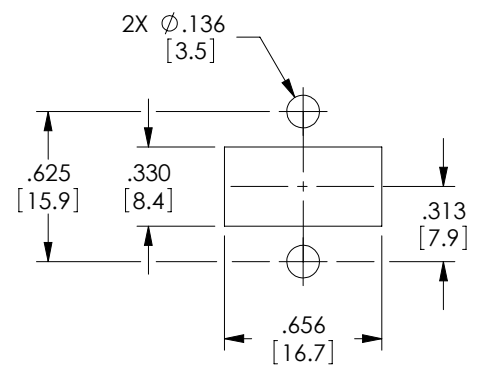


SERIES "A"  
USB FEMALE  
CONNECTOR  
"J1"

2X #4-40 UNC-2B



5 POSITION  
.197 [5.00mm] PITCH  
TERMINAL BLOCK  
"J2"



RECOMMENDED  
PANEL MOUNTING  
(FOR PANELS .12 THICK OR MORE)

**RoHS Compliant** ✓

**NOTES:**

- INCLUDE MOUNTING HARDWARE (2) #4-40 UNC-2A X .37 [9.5mm] LONG PHILLIPS PAN HD SCREWS.
- ASSEMBLY SHALL BE TESTED FOR CONTINUITY.
- ASSEMBLY SHALL BE INDIVIDUALLY PACKAGED IN ACCORDANCE WITH L-COM SPECIFICATION PS-0031.

UNLESS OTHERWISE SPECIFIED, DIMENSIONS ARE IN INCHES [mm] OVERALL CABLE LENGTH TOLERANCE: ≤12 [305] = +1 [25] / -0 >12 [305] ≤60 [1524] = +2 [51] / -0 >60 [1524] ≤120 [3048] = +4 [102] / -0 >120 [3048] ≤300 [7620] = +6 [152] / -0 >300 [7620] = +3% / -0%	APPROVALS	DATE	<b>L-com</b> Global Connectivity 45 BEECHWOOD DRIVE NORTH ANDOVER, MA 01845
	DRAWN BY D. CASTRO	7/23/09	
ALL OTHER DIMENSIONAL TOLERANCES: .X = ±.2 .XX = ±.02 .XXX = ±.005	CHECKED BY D. PARHAM	7/23/09	CATEGORY <b>USB</b>
	APPROVED BY S. SMITH	7/23/09	PRODUCT DESCRIPTION <b>CONN USB A FEM FIELD TERM</b>
PROJECTION 	CONFIGURATION DETAILS OF UNDIMENSIONED FEATURES MAY VARY	COLOR VARIATIONS MAY OCCUR	SIZE <b>A</b>
			FSCM NO. <b>43321</b>
			DWG. NO. <b>USBAFT</b>
			REV. <b>B</b>
			SCALE: NONE
			CAD FILE: USBAFT.SLDDRW
			SHEET 1 OF 1