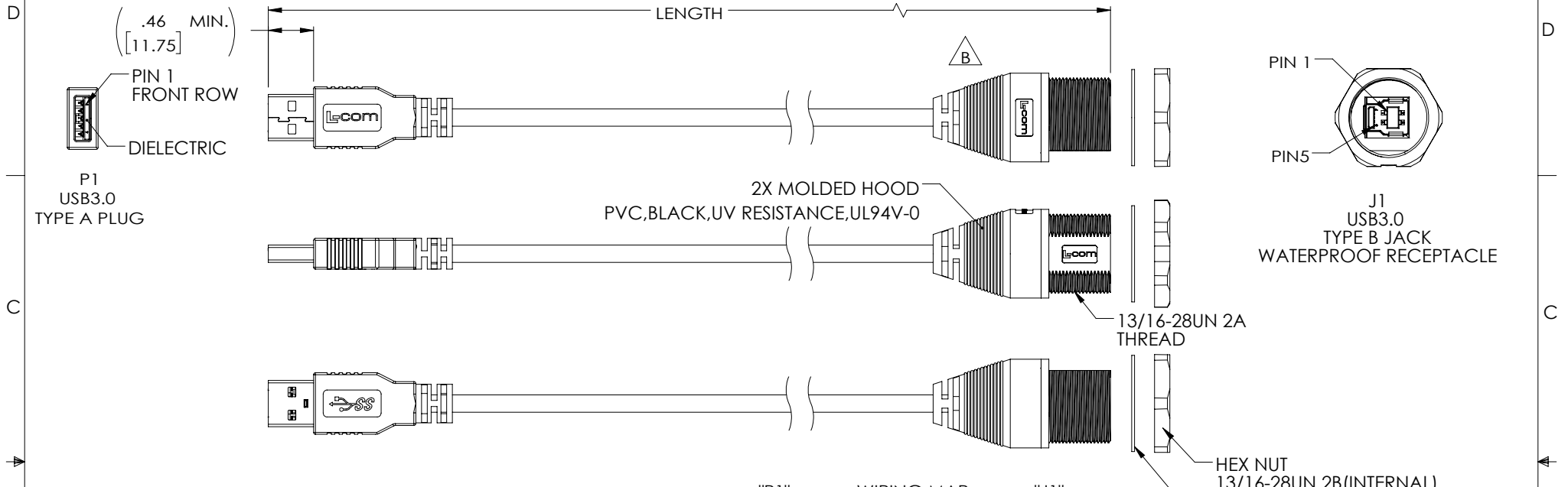


THE INFORMATION CONTAINED IN THIS DRAWING IS THE SOLE PROPERTY OF L-COM, INC.. ANY REPRODUCTION IN PART OR WHOLE WITHOUT THE WRITTEN PERMISSION OF L-COM, INC. IS PROHIBITED.

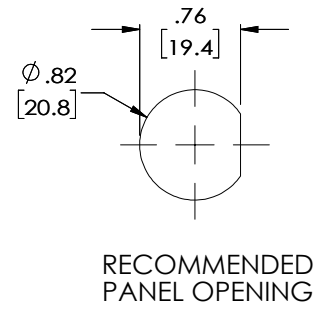
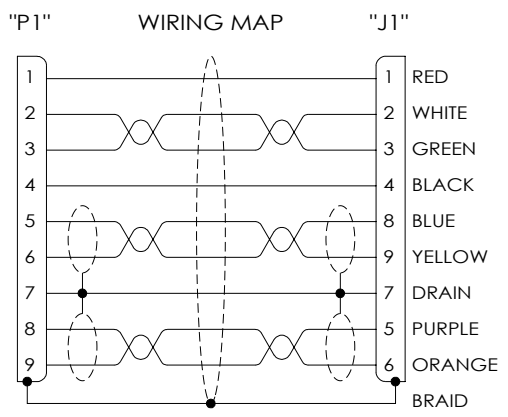
REVISIONS			
REV	DESCRIPTION	DATE	APPROVED
A	CN INITIAL RELEASE	01/28/2019	BGATES
B	ECN 10042 :REMOVED LOGO DESCRIPTION	08/20/19	DGUTTSDAURO



PART NUMBER	LENGTH	
	METER	FEET
U3A00019-05M	0.5	1.64
U3A00019-1M	1.0	3.28
U3A00019-105M	1.5	4.92

CABLE:
 TWO TWISTED PAIR, 30AWG WITH ALUM/POLY FOIL SHIELD AND DRAIN WIRE
 ONE UNSHIELDED TWISTED PAIR, 30AWG.
 TWO CONDUCTORS, 24AWG.OVERALL BRAID SHIELD
 JACKET:PVC,BLACK,UV RESISTANCE,NOM. DIAM. .217[5.50]
 OPERATING TEMPERATURE RANGE: -20°C TO +80°C(STATIC)

NOTES:
 1. INGRESS PROTECTION RATING IS IP67 (J1 ONLY ,MATED)
 2. CONNECTOR CONTACTS HAVE 30 μINCHES GOLD PLATING OVER NICKEL PLATING
 3. CABLE ASSEMBLY SHALL BE TESTED FOR CONTINUITY
 4. CABLE ASSEMBLY MUST MEET USB 3.0 REQUIREMENTS
 5. CABLE ASSEMBLY SHALL BE INDIVIDUALLY PACKAGED IN ACCORDANCE WITH L-COM SPECIFICATION PS-0031.



UNLESS OTHERWISE SPECIFIED, DIMENSIONS ARE IN INCHES [mm] OVERALL CABLE LENGTH TOLERANCE: ≤ 12 [305] = +1 [25] / -0 > 12 [305] ≤ 60 [1524] = +2 [51] / -0 > 60 [1524] ≤ 120 [3048] = +4 [102] / -0 > 120 [3048] ≤ 300 [7620] = +6 [152] / -0 > 300 [7620] = +3% / -0% ALL OTHER DIMENSIONAL TOLERANCES: .X = ± .2 [5.08] .XX = ± .02 [1.51] .XXX = ± .005 [1.3]	APPROVALS DRAWN BY DCUI CHECKED BY SPAN APPROVED BY BGATES	DATE 01/25/2019 01/25/2019 01/25/2019	50 HIGH STREET NORTH ANDOVER, MA 01845	
	CONFIGURATION DETAILS OF UNDIMENSIONED FEATURES MAY VARY			CATEGORY USB 3.0
	COLOR VARIATIONS MAY OCCUR			PRODUCT DESCRIPTION CA, USB 3.0 A-M TO WATERPROOF B-F
	PROJECTION 	SIZE A		FSCM NO. 43321
		SCALE: NONE	CAD FILE: U3A00019.SLDDRW	
		SHEET 1 OF 1		