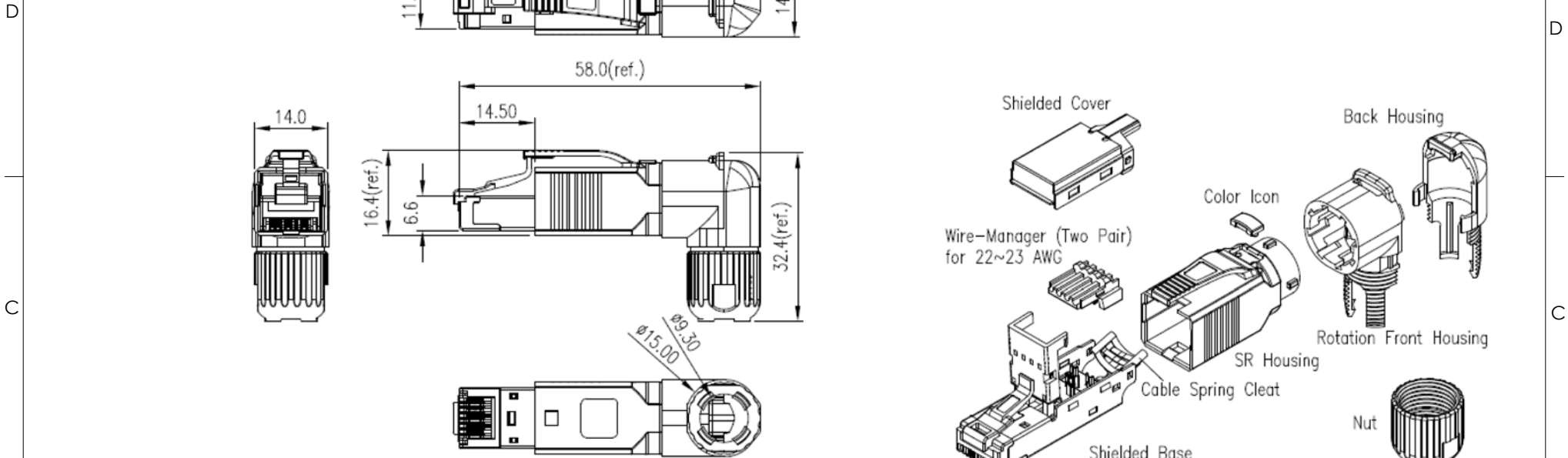


THE INFORMATION CONTAINED IN THIS DRAWING IS THE SOLE PROPERTY OF L-COM, INC. ANY REPRODUCTION IN PART OR WHOLE WITHOUT THE WRITTEN PERMISSION OF L-COM, INC. IS PROHIBITED.

REVISIONS			
REV	DESCRIPTION	DATE	APPROVED
A	INITIAL RELEASE	12/05/2017	DFRISIELLO
B	ECN 9420: CHANGED COLOR CODE PROFINET TO T568B	09/13/2018	DFRISIELLO



SPECIFICATIONS

QUALIFIED SCREENED CLASS 6A CONNECTING HARDWARE
 COMPILED OF ANSI/TIA-568-C.2
 IEC 60603-7-51
 ISO/IEC 11801 2.2 EDITION
 CENELEC EN 50173-1:2011

ELECTRICAL

CURRENT RATING: 1.5 AMPS MAXIMUM
 CONTACT RESISTANCE: 20 mOhm MINIMUM, AT 100 mA MAX. 50 mV MAX.
 INSULATION RESISTANCE: 500 MOHM MINIMUM, AT 500V DC
 DIELECTRIC WITHSTANDING VOLTAGE: 1000 V AC RMS 60 HZ, 1 MINUTE

MECHANICAL

DURABILITY: 1000 MATING CYCLES
 CABLE TO PLUG TENSILE STRENGTH: 20 lbs. (89N) MIN.
 TEMPERATURE: -40° C TO +70° C

MATERIAL/FINISH

HOUSING: NYLON
 PLUG-BODY: POLYCARBONATE (PC), UL 94V-0
 WIRE-HOLDER: PBT + 10%GF
 PLUG-CONTACT: THICKNESS = 0.35mm PHOSPHOR BRONZE
 CONTACT AREA: GOLD OVER NICKEL PLATING.
 IDC-CONTACT: THICKNESS = 0.4 mm PHOSPHOR BRONZE,
 Sn OVER NICKEL PLATING.
 SHIELDED-BASE: THICKNESS 0.5mm BRASS, NICKEL PLATING.
 SHIELDED-COVER: 0.3mm PHOSPHOR BRONZE, NICKEL PLATING.
 ACCEPTABLE CABLE: #26-22AWG SOLID WIRE. OUTER DIAMETER 6.0 - 8.5

NOTES:

PLUG ASSEMBLY SHALL BE INDIVIDUALLY PACKAGED IN ACCORDANCE WITH L-COM SPECIFICATION PS-0031.

REGULATORY COMPLIANCE:

CE2011/65/EU(RoHS DIRECTIVE)



IDC T568B COLOR CODE COLOR ICON

UNLESS OTHERWISE SPECIFIED, DIMENSIONS ARE IN INCHES [mm] OVERALL CABLE LENGTH TOLERANCE: ≤12 [305] = +1 [25] / -0 >12 [305] ≤60 [1524] = +2 [51] / -0 >60 [1524] ≤120 [3048] = +4 [102] / -0 >120 [3048] ≤300 [7620] = +6 [152] / -0 >300 [7620] = +5% / -0%	APPROVALS	DATE	50 HIGH STREET NORTH ANDOVER, MA 01845	
	DRAWN BY DFRISIELLO	11/21/2017		
ALL OTHER DIMENSIONAL TOLERANCES: .X = ±.2 [5.08] .XX = ±.02 [1.51] .XXX = ±.005 [1.13]	CHECKED BY DGUTTADAURO	12/05/2017	CATEGORY RJ45 FIELD-TERM C6A SHLD 90°	
	APPROVED BY DGUTTADAURO	12/05/2017		
PROJECTION 	CONFIGURATION DETAILS OF UNDIMENSIONED FEATURES MAY VARY		PRODUCT DESCRIPTION TSPFTC6AS-RA	
	COLOR VARIATIONS MAY OCCUR	SIZE A	FSCM NO. 43321	DWG. NO. TSPFTC6AS-RA
		SCALE: NONE	CAD FILE: TSPFTC6AS-RA.SLDDRW	SHEET 1 OF 1