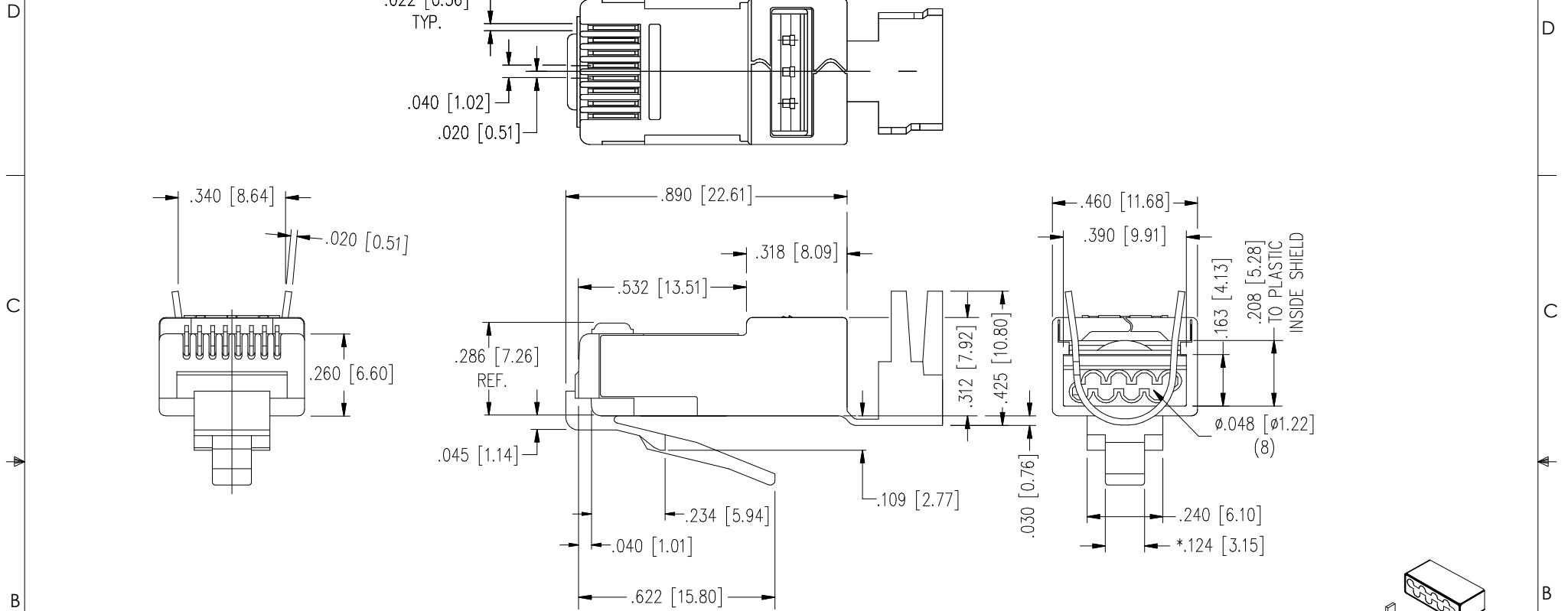


THE INFORMATION CONTAINED IN THIS DRAWING IS THE SOLE PROPERTY OF L-COM, INC. ANY REPRODUCTION IN PART OR WHOLE WITHOUT THE WRITTEN PERMISSION OF L-COM, INC. IS PROHIBITED.

REVISIONS			
REV	DESCRIPTION	DATE	APPROVED
A	INITIAL RELEASE	10/16/12	D.GRIFFIN
B	ECN 8521: REVISED CONTACT NOTE TO CLEARLY STATE 50μI ² GOLD.	10/21/16	D. DESJARDIN



SPECIFICATIONS:

PERFORMANCE:

MEETS OR EXCEEDS CATEGORY 6 ANSI/EIA 568-C.2 PERFORMANCE TUNED TO CABLES MEETING CATEGORY 6 SPECIFICATIONS.

CONTACT MATERIAL:

PHOSPHOR BRONZE - .012
50μINCHES OF GOLD IN CONTACT AREA
OVER 100μINCHES MINIMUM NICKEL PLATE.

CONTACT PLATING:

CDA-260 1/4 HARD BRASS
100% TIN 100-150μINCHES TIN PLATE

SHIELD MATERIAL:

UL94V-0
-40°C TO +85°C

SHIELD PLATING:

1000 CYCLES

PLUG MATERIAL:

POLYCARBONATE

PLUG DIMENSIONS/TOLERANCES:

COMPLY WITH ANSI/TIA-1096-A REQUIREMENTS

FLAME AUTO EXTINGUISH:

10 MILLIOHMS MAX.

OPERATING TEMPERATURE:

30VAC/42VDC AT 1.5 AMPS

INSERTION/EXTRACTION LIFE:

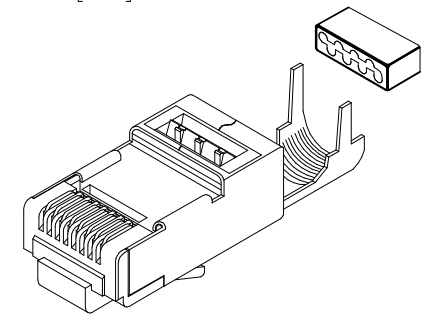
CURRENT/VOLTAGE:

NOTES:

- EIGHT CONDUCTOR MODULAR PLUG
- FOR HIGH SPEED APPLICATION
- FOR CONDUCTORS WITH AN O.D. RANGE OF .044 - .048"
- USE FOR SOLID OR STRANDED CONDUCTORS
- PRODUCT REQUIRES A CONDUCTIVE LOAD BAR
- FOR CABLE DIAMETERS UP TO .310"
- COMPONENT SHALL BE INDIVIDUALLY PACKAGED IN ACCORDANCE WITH L-COM SPECIFICATION PS-0031

REGULATORY COMPLIANCE:

CE2011/65/EU(RoHS DIRECTIVE)



UNLESS OTHERWISE SPECIFIED, DIMENSIONS ARE IN INCHES [mm] OVERALL CABLE LENGTH TOLERANCE: $\leq 12 [305] = +1 [25] / -0$ $> 12 [305] \leq 60 [1524] = +2 [51] / -0$ $> 60 [1524] \leq 120 [3048] = +4 [102] / -0$ $> 120 [3048] \leq 300 [7620] = +6 [152] / -0$ $> 300 [7620] = +5\% / -0\%$	APPROVALS	DATE		50 HIGH STREET NORTH ANDOVER, MA 01845
	DRAWN BY D.FRISIELLO	10/16/12		CATEGORY
ALL OTHER DIMENSIONAL TOLERANCES: .X = ± .2 [5.08] .XX = ± .02 [51] .XXX = ± .005 [13]	CHECKED BY D.GUITADAURO	10/16/12	PRODUCT DESCRIPTION CAT 6 SHIELDED MODULAR PLUG, RJ45 (8P8C), FOR LARGE OD CONDUCTORS	
PROJECTION 	APPROVED BY D.GUITADAURO	10/16/12	SIZE A	FSCM NO. 43321
	CONFIGURATION DETAILS OF UNDIMENSIONED FEATURES MAY VARY		DWG. NO. TSP8048C5S	REV. B
	COLOR VARIATIONS MAY OCCUR		SCALE: NONE	CAD FILE: TSP8048C5S.SLDDRW
			SHEET 1 OF 1	