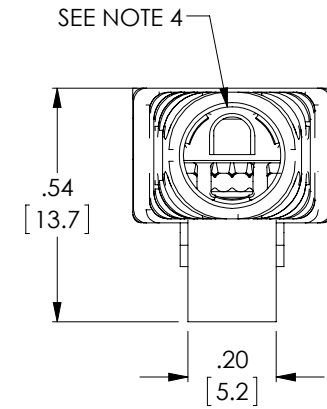
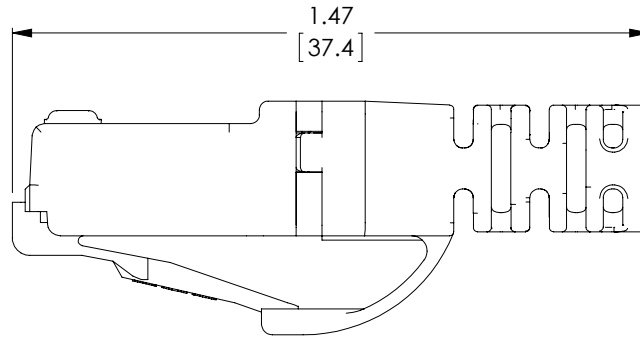
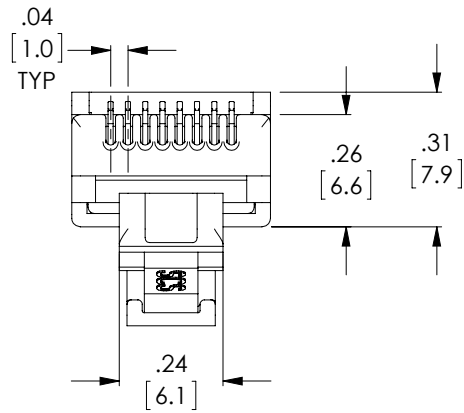
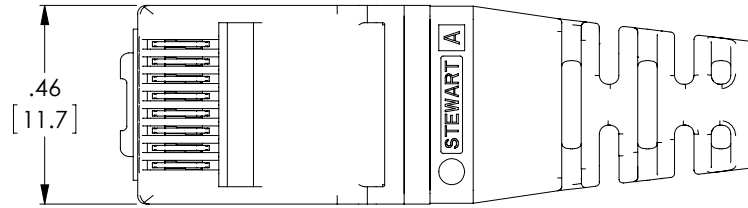


THE INFORMATION CONTAINED IN THIS DRAWING IS THE SOLE PROPERTY OF L-COM, INC. ANY REPRODUCTION IN PART OR WHOLE WITHOUT THE WRITTEN PERMISSION OF L-COM, INC. IS PROHIBITED.

**RoHS Compliant** ✓

REVISIONS			
REV	DESCRIPTION	DATE	APPROVED
A	INITIAL RELEASE	12/27/12	D.GRIFFIN



**NOTES:**

1. PLUG KIT CONSISTS OF:  
PRE-INSERTED PLUG BODY  
LOAD BAR  
LOAD BAR  
STRAIN RELIEF
2. MATERIAL:  
PLUG BODY: CLEAR POLYCARBONATE, UL 94-V0  
LOAD BAR: CLEAR POLYCARBONATE, UL 94-V0  
STRAIN RELIEF: CLEAR POLYCARBONATE, UL 94-V0  
CONTACTS: COPPER ALLOY, 50 μINCHES SELECTIVE GOLD PLATING
3. CONTACTS TERMINATE SOLID OR STRANDED CONDUCTORS BETWEEN .037 [0.94] TO .042 [1.07] OUTSIDE DIAMETER OF INSULATION.
4. STRAIN RELIEF IS FOR CABLES WITH OUTSIDE DIAMETER OF .220 [5.59] TO .230 [5.84].
5. PLUG SPECIFICATION: FOR CATEGORY 6 APPLICATIONS.
6. ALL DIMENSIONS ARE FOR REFERENCE ONLY
7. COMPONENT SHALL BE BULK PACKAGED IN QUANTITIES OF 50

UNLESS OTHERWISE SPECIFIED, DIMENSIONS ARE IN INCHES [mm] OVERALL CABLE LENGTH TOLERANCE: ≤12 [305] = +1 [25] / -0 >12 [305] ≤60 [1524] = +2 [51] / -0 >60 [1524] ≤120 [3048] = +4 [102] / -0 >120 [3048] ≤300 [7620] = +6 [152] / -0 >300 [7620] = +3% / -0%	APPROVALS	DATE		45 BEECHWOOD DRIVE NORTH ANDOVER, MA 01845
	DRAWN BY D. DESJARDIN	12/27/12		
ALL OTHER DIMENSIONAL TOLERANCES: .X = ±.2 .XX = ±.02 .XXX = ±.005	CHECKED BY D. FRISIELLO	12/27/12	CATEGORY <b>TELECOM/MODULAR</b>	
	APPROVED BY M. MARTINEZ	12/27/12	PRODUCT DESCRIPTION <b>PLUG RJ45(8X8) CAT6</b>	
PROJECTION 	COLOR VARIATIONS MAY OCCUR	SIZE <b>A</b>	FSCM NO. <b>43321</b>	DWG. NO. <b>TSP4288C6</b>
1AD01-007		SCALE: NONE	CAD FILE: TSP4288C6.SLDDRW	
			SHEET 1 OF 1	