

6

5

4

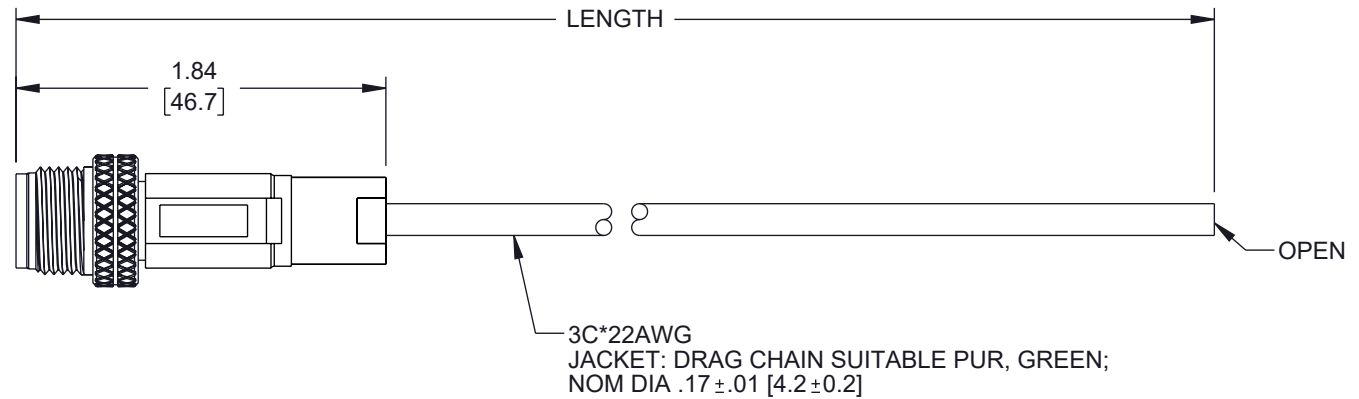
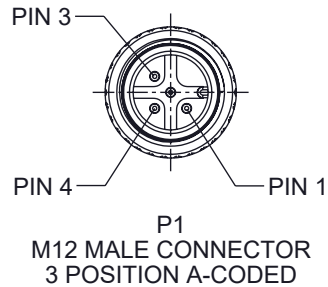
3

2

1

## REVISION

ZONE	REV	DESCRIPTION	DATE	CHANGED BY	APPROVED
	B	UPDATED PER ECO-14008	11/14/2024	HBAKKE	GUTTADAURO



P1	WIRE MAP	OPEN
1	—————	BROWN
3	—————	BLUE
4	—————	BLACK

## NOTES:

## ELECTRICAL:

- NOMINAL VOLTAGE: 300V
- OPERATING VOLTAGE: 60VDC
- OPERATING CURRENT PER CONTACT: 0.5A MAX.

## APPLICATION:

- INGRESS PROTECTION RATING IS IP67 (MATED)
- RECOMMENDED TORQUE VALUE: 0.6Nm
- BEND RADIUS FIXED: 33.6mm
- BEND RADIUS MOBILE: 63mm
- TORSION STRESS: ±180°/meter.

## ENVIRONMENTAL:

- TEMPERATURE RANGE FIXED: -25°C TO +80°C
- TEMPERATURE RANGE MOBILE: -25°C TO +70°C
- CABLE JACKET RESISTANCE: OIL
- CABLE JACKET FLAME RATING: HB (UL 94).

## MISCELLANEOUS

- CABLE ASSEMBLY TO BE TESTED FOR CONTINUITY
- CABLE ASSEMBLY SHALL BE INDIVIDUALLY PACKAGED.

THE INFORMATION CONTAINED IN THIS DRAWING IS THE SOLE PROPERTY OF INFINITE ELECTRONICS, INC. ANY REPRODUCTION IN PART OR WHOLE WITHOUT THE WRITTEN PERMISSION OF INFINITE ELECTRONICS, INC. IS PROHIBITED. THESE COMMODITIES, TECHNOLOGY OR SOFTWARE WERE EXPORTED FROM THE UNITED STATES IN ACCORDANCE WITH THE EXPORT ADMINISTRATION REGULATIONS. DIVERSION CONTRARY TO U.S. LAW PROHIBITED.

ITEM NO	LENGTH [TOL.]	
	METERS [mm]	FEET [IN]
TRGA304-P2N-05M	0.5 [+35/-15]	1.64 [+1.38/- .59]
TRGA304-P2N-1M	1 [+35/-20]	3.28 [+1.38/- .79]
TRGA304-P2N-2M	2 [+35/-30]	6.56 [+1.38/- 1.18]
TRGA304-P2N-3M	3 [+35/-30]	9.84 [+1.38/- 1.18]
TRGA304-P2N-5M	5 [±60]	16.40 [±2.36]
TRGA304-P2N-10M	10 [±80]	32.81 [±3.15]
TRGA304-P2N-15M	15 [±80]	49.21 [±3.15]

UNLESS OTHERWISE SPECIFIED  
LEADING DIMENSIONS ARE INCHES  
DIMENSIONS IN [ ] ARE MILLIMETERS

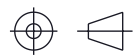
TOLERANCES:  
X = ±.2 [5]      FRACTIONS ± 1/32  
.XX = ±.02 [0.5]      ANGLES ± 1°  
.XXX = ±.005 [0.13]

CABLE LENGTH TOLERANCES:  
≤12 [305] = +1 [25] / -0  
>12 [305] ≤ 60 [1524] = +2 [51] / -0  
>60 [1524] ≤ 120 [3048] = +4 [102] / -0  
>120 [3048] ≤ 300 [7620] = +6 [152] / -0  
>300 [7620] = +5% / -0

ALL DIMENSIONS ARE FOR REFERENCE ONLY  
AND SUBJECT TO CHANGE WITHOUT NOTICE.  
UN-DIMENSIONED/NON-CRITICAL FEATURES  
MAY VARY IN SIZE AND LOCATION  
COLORS MAY VARY

**L-com**  
an INFINIT® brand

Website: [www.L-com.com](http://www.L-com.com)  
Phone: 1.800.341.5266 | 1.978.682.6936



INTERPRET ALL DIMENSIONS AND  
TOLERANCES PER ASME Y14.5

SCALE SHEET

NONE 1 OF 1

## DESCRIPTION

M12 3 POLE A CODE, 22AWG, PUR, MO, GRN

SIZE	CAGE CODE	DRAWN BY	ITEM NO.	REV
A	43321	DZINN	TRGA304-P2N	B

6

5

4

3

2

1