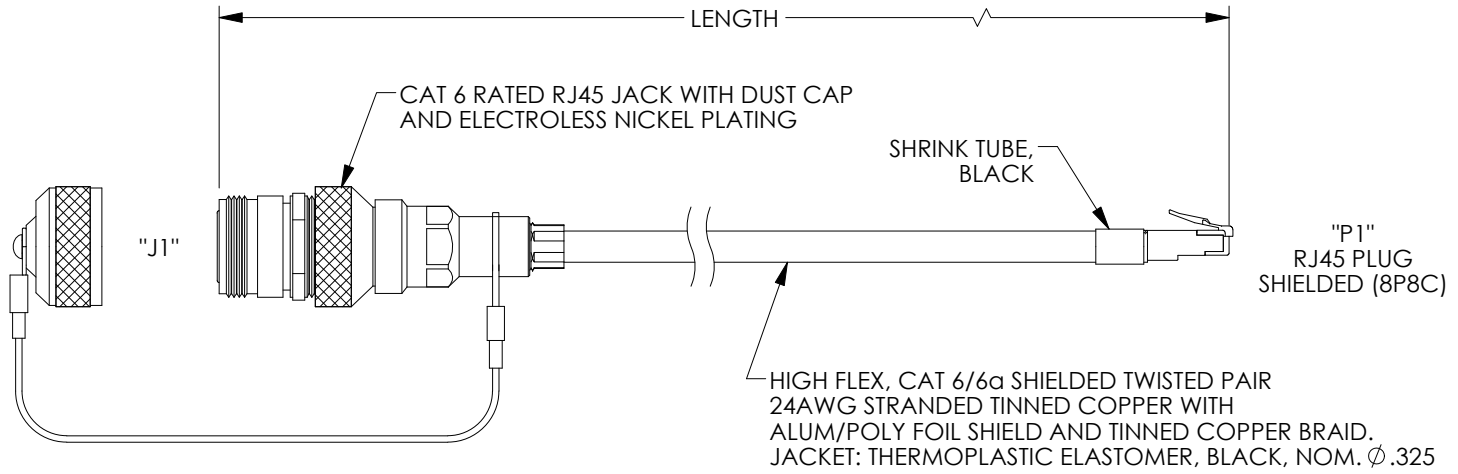


THE INFORMATION CONTAINED IN THIS DRAWING IS THE SOLE PROPERTY OF L-COM, INC. ANY REPRODUCTION IN PART OR WHOLE WITHOUT THE WRITTEN PERMISSION OF L-COM, INC. IS PROHIBITED.

REVISIONS			
REV	DESCRIPTION	DATE	APPROVED
A	INITIAL RELEASE	03/12/2021	GUTTADAURO



NOTES:

JACKET PROPERTIES:
 JACKET IS SUNLIGHT RESISTANT, WELD SPLATTER RESISTANT,
 AND CUTTING/MACHINING OIL RESISTANT.
 TEMPERATURE RANGE: -40° C TO +75° C

FLEX LIFE:
 1 MILLION CYCLE TEST (10X CABLE O.D. MINIMUM RADIUS)
 10 MILLION CYCLE TEST (20X CABLE O.D. MINIMUM RADIUS)

AGENCY APPROVALS:
 NEC (UL) TYPE CMX OUTDOOR - CM
 CEC C(UL) TYPE CMX OUTDOOR - CM
 UL AWM STYLE 2463

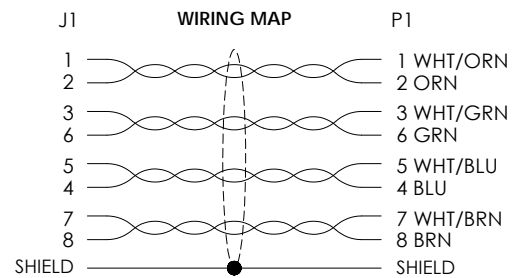
VOLTAGE RATING: 600 V MAX.


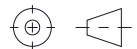
CABLE ASSEMBLY SHALL BE TESTED FOR CONTINUITY.

CABLE ASSEMBLY SHALL BE INDIVIDUALLY PACKAGED IN ACCORDANCE WITH L-COM SPECIFICATION PS-0031.

REGULATORY COMPLIANCE:
 EU RoHS DIRECTIVE (MOST RECENT RELEASED VERSION)

MODEL NUMBER	LENGTH METERS [FEET]
TRG695RG5-05M	0.5 [1.64]
TRG695RG5-1M	1.0 [3.28]
TRG695RG5-2M	2.0 [6.56]
TRG695RG5-3M	3.0 [9.84]
TRG695RG5-5M	5.0 [16.41]
TRG695RG5-10M	10.0 [32.81]



UNLESS OTHERWISE SPECIFIED, DIMENSIONS ARE IN INCHES [mm]	APPROVALS	DATE	 50 High Street, West Mill, North Andover, MA 01845 USA. Phone: 1.800.341.5266 1.978.682.6936
	DRAWN BY DFRISIELLO	03/12/2021	
OVERALL CABLE LENGTH TOLERANCE: ≤12 [305] = +1 [25] / -0 >12 [305] ≤60 [1524] = +2 [51] / -0 >60 [1524] ≤120 [3048] = +4 [102] / -0 >120 [3048] ≤300 [7620] = +6 [152] / -0 >300 [7620] = +5% / -0	CHECKED BY GUTTADAURO	03/12/2021	CATEGORY TELECOM/MODULAR
	APPROVED BY GUITA DAURO	03/12/2021	
ALL OTHER DIMENSIONAL TOLERANCES: .X = ± .2 [5] FRACTIONS ± 1/32 .XX = ± .02 [.5] ANGLES ± 1° .XXX = ± .005 [.13]	CONFIGURATION DETAILS OF UNDIMENSIONED FEATURES MAY VARY	COLOR VARIATIONS MAY OCCUR	SIZE A CAGE CODE 43321 ITEM NO. TRG695RG5 REV. A
THIRD-ANGLE PROJECTION 	SCALE: NONE CAD FILE: TRG695RG5.SLDDRW		SHEET 1 OF 1