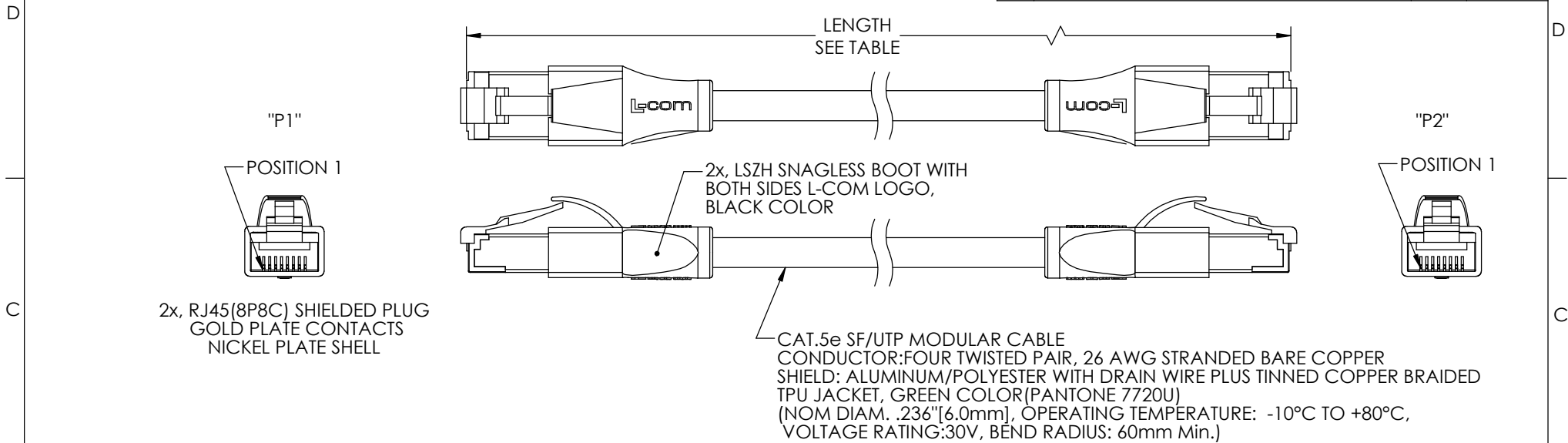


THE INFORMATION CONTAINED IN THIS DRAWING IS THE SOLE PROPERTY OF L-COM, INC. ANY REPRODUCTION IN PART OR WHOLE WITHOUT THE WRITTEN PERMISSION OF L-COM, INC. IS PROHIBITED.

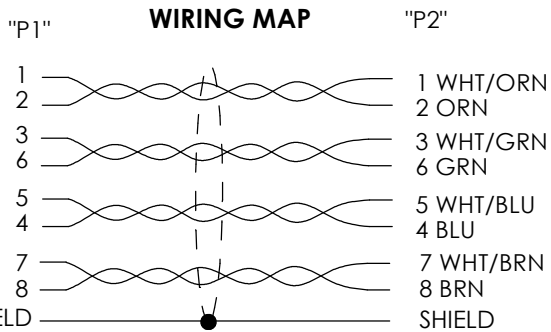
REVISIONS			
REV	DESCRIPTION	DATE	APPROVED
A	INITIAL RELEASE	01/26/2021	D.GUTTADAURO



2x, RJ45(8P8C) SHIELDED PLUG
GOLD PLATE CONTACTS
NICKEL PLATE SHELL

2x, LSZH SNAGLESS BOOT WITH
BOTH SIDES L-COM LOGO,
BLACK COLOR

CAT.5e SF/UTP MODULAR CABLE
CONDUCTOR:FOUR TWISTED PAIR, 26 AWG STRANDED BARE COPPER
SHIELD: ALUMINUM/POLYESTER WITH DRAIN WIRE PLUS TINNED COPPER BRAIDED
TPU JACKET, GREEN COLOR(PANTONE 7720U)
(NOM DIAM. .236"[6.0mm], OPERATING TEMPERATURE: -10°C TO +80°C,
VOLTAGE RATING:30V, BEND RADIUS: 60mm Min.)



PART NUMBER	LENGTH(CM)	PART NUMBER	LENGTH(M)
TRD815DZ-SF-GRN-15CM	15	TRD815DZ-SF-GRN-1M	1.0
TRD815DZ-SF-GRN-20CM	20	TRD815DZ-SF-GRN-1.5M	1.5
TRD815DZ-SF-GRN-25CM	25	TRD815DZ-SF-GRN-2M	2.0
TRD815DZ-SF-GRN-30CM	30	TRD815DZ-SF-GRN-3M	3.0
TRD815DZ-SF-GRN-45CM	45	TRD815DZ-SF-GRN-4M	4.0
TRD815DZ-SF-GRN-60CM	60	TRD815DZ-SF-GRN-5M	5.0
TRD815DZ-SF-GRN-80CM	80	TRD815DZ-SF-GRN-7.5M	7.5
		TRD815DZ-SF-GRN-10M	10.0

NOTES:

- 1.PLUG CONFORMS TO TIA-1096
- 2.CABLES TO BE TESTED FOR CONTINUITY.
- 3.CABLES TO BE INDIVIDUALLY PACKAGED IN ACCORDANCE WITH L-COM SPECIFICATION PS-0031.

UNLESS OTHERWISE SPECIFIED, DIMENSIONS ARE IN INCHES [mm] OVERALL CABLE LENGTH TOLERANCE: ≤ 12 [305] ≤ 60 [1524] = +1 [25] / -0 > 12 [305] ≤ 60 [1524] = +2 [51] / -0 > 60 [1524] ≤ 120 [3048] = +4 [102] / -0 > 120 [3048] ≤ 300 [7620] = +6 [152] / -0 > 300 [7620] = +5% / -0 ALL OTHER DIMENSIONAL TOLERANCES: .X = ± .2 [5] FRACTIONS .XX = ± .02 [5] ± 1/32 .XXX = ± .005 [13] ANGLES ± 1°	APPROVALS DRAWN BY B.ZHANG CHECKED BY D.GUTTADAURO APPROVED BY D.GUTTADAURO	DATE 01/12/2021 01/12/2021 01/12/2021	an INFINITI® brand 50 High Street, West Mill, North Andover, MA 01845 USA. Phone: 1.800.341.5266 1.978.682.6936	
	CONFIGURATION DETAILS OF UNDIMENSIONED FEATURES MAY VARY COLOR VARIATIONS MAY OCCUR	CATEGORY TELCOM/MODULAR		PRODUCT DESCRIPTION Cat5e RJ45 SF/UTP HF-TPU SHORT FLEX GRN
THIRD-ANGLE PROJECTION 	SIZE A	CAGE CODE 43321	DWG. NO. TRD815DZ-SF-GRN	REV. A
SCALE: NONE		CAD FILE: TRD815DZ-SF-GRN.SLDDRW		SHEET 1 OF 1