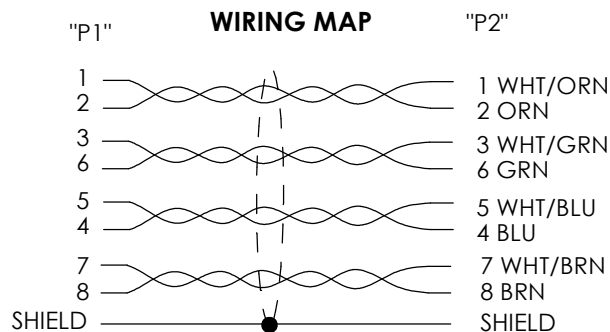
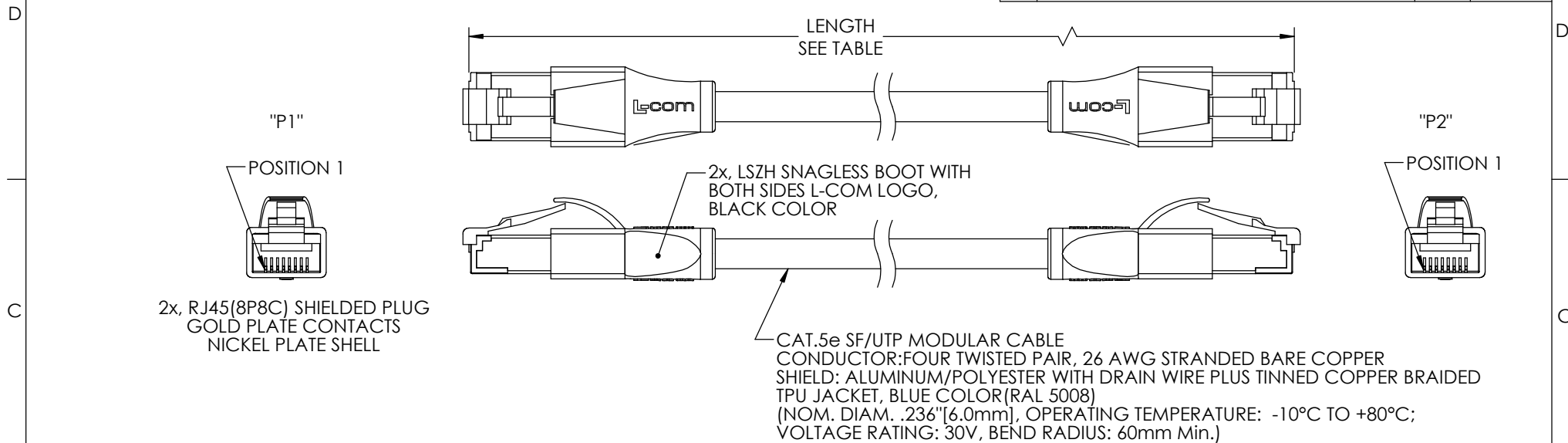


THE INFORMATION CONTAINED IN THIS DRAWING IS THE SOLE PROPERTY OF L-COM, INC. ANY REPRODUCTION IN PART OR WHOLE WITHOUT THE WRITTEN PERMISSION OF L-COM, INC. IS PROHIBITED.

REVISIONS			
REV	DESCRIPTION	DATE	APPROVED
A	INITIAL RELEASE	01/26/2021	D.GUTTADAURO



PART NUMBER	LENGTH(CM)	PART NUMBER	LENGTH(M)
TRD815DS-SF-BLU-15CM	15	TRD815DS-SF-BLU-1M	1.0
TRD815DS-SF-BLU-20CM	20	TRD815DS-SF-BLU-1.5M	1.5
TRD815DS-SF-BLU-25CM	25	TRD815DS-SF-BLU-2M	2.0
TRD815DS-SF-BLU-30CM	30	TRD815DS-SF-BLU-3M	3.0
TRD815DS-SF-BLU-45CM	45	TRD815DS-SF-BLU-4M	4.0
TRD815DS-SF-BLU-60CM	60	TRD815DS-SF-BLU-5M	5.0
TRD815DS-SF-BLU-80CM	80	TRD815DS-SF-BLU-7.5M	7.5
		TRD815DS-SF-BLU-10M	10.0

**NOTES:**

- 1.PLUG CONFORMS TO TIA-1096
- 2.CABLES TO BE TESTED FOR CONTINUITY.
- 3.CABLES TO BE INDIVIDUALLY PACKAGED IN ACCORDANCE WITH L-COM SPECIFICATION PS-0031.

UNLESS OTHERWISE SPECIFIED, DIMENSIONS ARE IN INCHES [mm] OVERALL CABLE LENGTH TOLERANCE: $\leq 12$ [305] $\leq +1$ [25] / -0 $> 12$ [305] $\leq 60$ [1524] $\leq +2$ [51] / -0 $> 60$ [1524] $\leq 120$ [3048] $\leq +4$ [102] / -0 $> 120$ [3048] $\leq 300$ [7620] $\leq +6$ [152] / -0 $> 300$ [7620] $\leq +5\%$ / -0 ALL OTHER DIMENSIONAL TOLERANCES: .X $\pm$ .2 [5]      FRACTIONS .XX $\pm$ .02 [5] $\pm$ 1/32 .XXX $\pm$ .005 [13]      ANGLES $\pm$ 1° THIRD-ANGLE PROJECTION 	APPROVALS DRAWN BY B.ZHANG CHECKED BY D.GUTTADAURO APPROVED BY D.GUTTADAURO	DATE 01/12/2021 01/12/2021 01/12/2021	 an INFINITI brand 50 High Street, West Mill, North Andover, MA 01845 USA. Phone: 1.800.341.5266 1.978.682.6936
	CONFIGURATION DETAILS OF UNDIMENSIONED FEATURES MAY VARY COLOR VARIATIONS MAY OCCUR	CATEGORY <b>TELCOM/MODULAR</b>	PRODUCT DESCRIPTION <b>Cat5e RJ45 SF/UTP TPU SHORT FLEX BLU</b>
SIZE <b>A</b>	CAGE CODE <b>43321</b>	DWG. NO. TRD815DS-SF-BLU	REV. <b>A</b>