

6

5

4

3

2

1

REVISION					
ZONE	REV	DESCRIPTION	DATE	CHANGED BY	APPROVED
	B	ECO-14180	1/28/2025	DMAY	GUTTADAURO

F

F

E

E

D

D

C

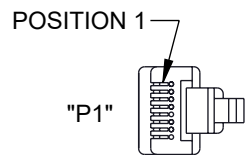
C

B

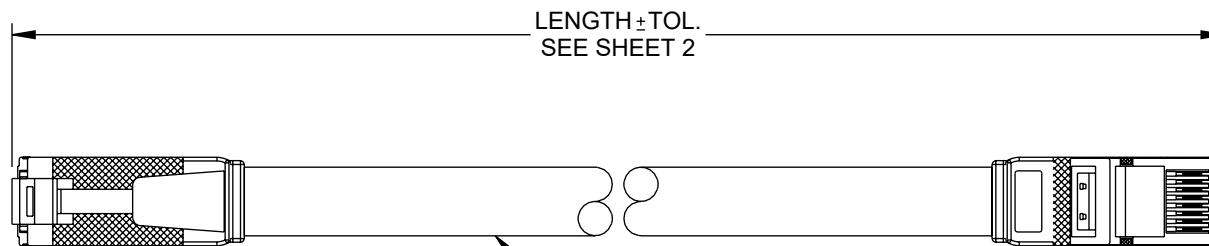
B

A

A

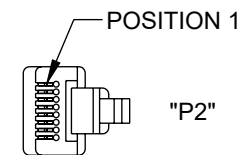


"P1"



2X SHIELDED
RJ45 PLUG
(8P8C)

CAT 7
4 TP 30AWG STRANDED BARE COPPER WITH
INDIVIDUAL ALUM/POLY FOIL SHIELDS AND
SINGLE COPPER DRAIN WIRE
JACKET: CM PVC, BLACK
NOM. DIA: .34 [8.5] X .11 [2.8]



"P2"

NOTES:**PHYSICAL CHARACTERISTICS:**

- CABLE TYPE: CAT7 U/FTP
- TEMPERATURE RATING:
 - INSTALLATION: 0°C~50°C
 - OPERATION: -20°C~60°C
- VOLTAGE RATING: 30V

MECHANICAL CHARACTERISTICS:

- CONTACT MATERIAL: COPPER ALLOY, 50U" GOLD PLATING

ELECTRICAL CHARACTERISTICS:

- CONDUCTOR DC RESISTANCE: 38.5Ω/100M (MAXIMUM)
- IMPEDANCE: 100Ω
- CAPACITANCE: 5600pf/100M
- PROPAGATION DELAY: 545ns/100M (MAXIMUM)
- DELAY SKEW: 45ns/100M (MAXIMUM)
- PASS FLUKE DSX 8000 CHANNEL TEST (5% TEST)
- BANDWIDTH: 600MHz

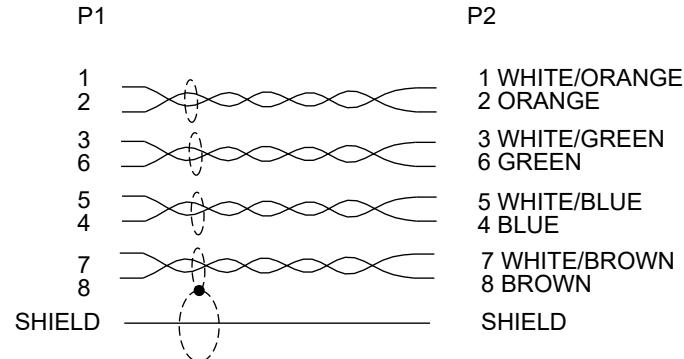
MISCELLANEOUS:

- CABLE ASSEMBLY TO BE TESTED FOR CONTINUITY.
- CABLE ASSEMBLY SHALL BE INDIVIDUALLY PACKAGED IN ACCORDANCE WITH L-COM SPECIFICATION PS-0031.

REGULATORY COMPLIANCE:

EU RoHS DIRECTIVE (MOST RECENT RELEASED VERSION)

THE INFORMATION CONTAINED IN THIS DRAWING IS THE SOLE PROPERTY OF INFINITE ELECTRONICS, INC. ANY REPRODUCTION IN PART OR WHOLE WITHOUT THE WRITTEN PERMISSION OF INFINITE ELECTRONICS, INC. IS PROHIBITED. THESE COMMODITIES, TECHNOLOGY OR SOFTWARE WERE EXPORTED FROM THE UNITED STATES IN ACCORDANCE WITH THE EXPORT ADMINISTRATION REGULATIONS. DIVERSION CONTRARY TO U.S. LAW PROHIBITED.

WIRING MAP

UNLESS OTHERWISE SPECIFIED
LEADING DIMENSIONS ARE INCHES
DIMENSIONS IN [] ARE MILLIMETERS

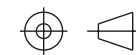
TOLERANCES:
 .X = ±.2 [5] FRACTIONS
 .XX = ±.02 [0.5] ± 1/32
 .XXX = ±.005 [0.13] ANGLES ± 1°

CABLE LENGTH TOLERANCES:
 ≤12 [305] = +1 [25] / -0
 >12 [305] ≤ 60 [1524] = +2 [51] / -0
 >60 [1524] ≤ 120 [3048] = +4 [102] / -0
 >120 [3048] ≤ 300 [7620] = +6 [152] / -0
 >300 [7620] = +5% / -0

ALL DIMENSIONS ARE FOR REFERENCE ONLY
AND SUBJECT TO CHANGE WITHOUT NOTICE.
UN-DIMENSIONED/NON-CRITICAL FEATURES
MAY VARY IN SIZE AND LOCATION
COLORS MAY VARY

L-com
an INFINIT@ brand

Website: www.L-com.com
Phone: 1.800.341.5266 | 1.978.682.6936



INTERPRET ALL DIMENSIONS AND
TOLERANCES PER ASME Y14.5

SCALE	SHEET
NONE	1 OF 2

DESCRIPTION				
C7 FLAT U/FTP 30AWG CM PVC				
SIZE	CAGE CODE	DRAWN BY	ITEM NO.	REV
A	43321	DFRISIELLO	TRD730FLAT	B

6

5

4

3

2

1

6

5

4

3

2

1

F

F

E

E

D

D

C

C

B

B

A

A

PART NUMBER	COLOR	LENGTH FEET [METERS]	TOLERANCE INCH [mm]
TRD730FLAT-BLK-05F	BLACK	0.5 [0.15]	+1.38/--.59 [+35/-15]
TRD730FLAT-BLK-1F	BLACK	1.0 [0.30]	+1.38/--.59 [+35/-15]
TRD730FLAT-BLK-3F	BLACK	3.0 [0.91]	+1.38/--.59 [+35/-15]
TRD730FLAT-BLK-5F	BLACK	5.0 [1.52]	+1.38/--.79 [+35/-20]
TRD730FLAT-BLK-7F	BLACK	7.0 [2.13]	+1.38/-1.18 [+35/-30]
TRD730FLAT-BLK-10F	BLACK	10.0 [3.04]	+1.38/-1.18 [+35/-30]
TRD730FLAT-BLK-15F	BLACK	15.0 [4.57]	+1.38/-1.18 [+35/-30]
TRD730FLAT-BLK-25F	BLACK	25.0 [7.62]	± 2.36 [60]
TRD730FLAT-BLK-35F	BLACK	35.0 [9.14]	± 3.15 [80]
TRD730FLAT-BLK-50F	BLACK	50.0 [15.24]	± 3.15 [80]
TRD730FLAT-BLK-65F	BLACK	65.0 [19.81]	± 3.15 [80]

L-com[®]
an INFINIT[®] brand

Website: www.L-com.com
Phone: 1.800.341.5266 | 1.978.682.6936



INTERPRET ALL DIMENSIONS AND
TOLERANCES PER ASME Y14.5

SCALE	SHEET
NONE	2 OF 2

DESCRIPTION

C7 FLAT U/FTP 30AWG CM PVC

THE INFORMATION CONTAINED IN THIS DRAWING IS THE SOLE PROPERTY OF INFINITE ELECTRONICS, INC. ANY REPRODUCTION IN PART OR WHOLE WITHOUT THE WRITTEN PERMISSION OF INFINITE ELECTRONICS, INC. IS PROHIBITED. THESE COMMODITIES, TECHNOLOGY OR SOFTWARE WERE EXPORTED FROM THE UNITED STATES IN ACCORDANCE WITH THE EXPORT ADMINISTRATION REGULATIONS. DIVERSION CONTRARY TO U.S. LAW PROHIBITED.

ALL DIMENSIONS ARE FOR REFERENCE ONLY
AND SUBJECT TO CHANGE WITHOUT NOTICE.
UN-DIMENSIONED/NON-CRITICAL FEATURES
MAY VARY IN SIZE AND LOCATION
COLORS MAY VARY

SIZE	CAGE CODE	DRAWN BY	ITEM NO.	REV
A	43321	DFRISIELLO	TRD730FLAT	B

6

5

4

3

2

1