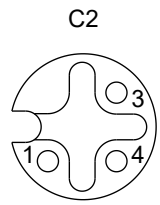
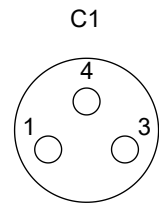
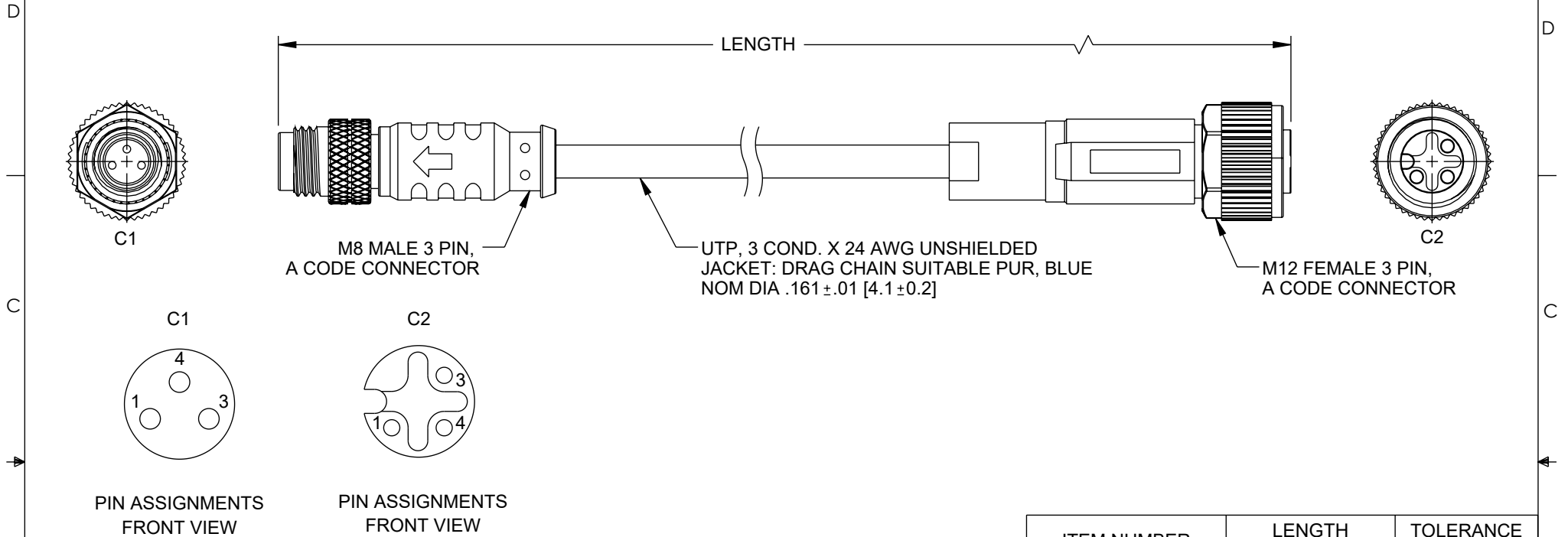


THE INFORMATION CONTAINED IN THIS DRAWING IS THE SOLE PROPERTY OF L-COM, INC. ANY REPRODUCTION IN PART OR WHOLE WITHOUT THE WRITTEN PERMISSION OF L-COM, INC. IS PROHIBITED.

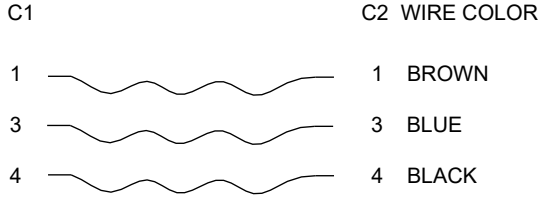
REVISION					
ZONE	REV	DESCRIPTION	DATE	CHANGED BY	APPROVED
	A	INITIAL RELEASE	09/26/2023	VTHANGARAJ	GUTTADAURO



PIN ASSIGNMENTS FRONT VIEW

PIN ASSIGNMENTS FRONT VIEW

WIRING MAP



NOTES:

ELECTRICAL:

- NOMINAL VOLTAGE: 300V
- OPERATING VOLTAGE: 60V DC MAX.
- OPERATING CURRENT PER CONTACT: 0.5A MAX.

APPLICATION:

- INGRESS PROTECTION RATING IS IP67 (MATED)
- RECOMMENDED TORQUE VALUE: 0.6 Nm
- BEND RADIUS FIXED: 32.8 mm MIN.
- BEND RADIUS MOBILE: 61.5 mm MIN.
- TORSION STRESS: ±180°/meter.

ENVIRONMENTAL:

- TEMPERATURE RANGE FIXED: -25°C TO +80°C
- TEMPERATURE RANGE MOBILE: -25°C TO +70°C
- CABLE JACKET RESISTANCE: OIL
- CABLE JACKET FLAME RATING: HB (UL 94).

MISCELLANEOUS

- CABLE ASSEMBLY TO BE TESTED FOR CONTINUITY.
- CABLE ASSEMBLY SHALL BE INDIVIDUALLY PACKAGED.

ITEM NUMBER	LENGTH METERS [FEET]	TOLERANCE INCH [mm]
TR8GA320-P4L-05M	0.5 [1.64]	+ 1.38 [35] - 0.59 [15]
TR8GA320-P4L-1M	1.0 [3.28]	+ 1.38 [35] - 0.79 [20]
TR8GA320-P4L-2M	2.0 [6.56]	+ 1.38 [35] - 1.18 [30]
TR8GA320-P4L-3M	3.0 [9.84]	+ 1.38 [35] - 1.18 [30]
TR8GA320-P4L-5M	5.0 [16.4]	±2.36 [±60]
TR8GA320-P4L-10M	10.0 [32.8]	±2.36 [±60]
TR8GA320-P4L-15M	15.0 [49.2]	±3.15 [±80]

UNLESS OTHERWISE SPECIFIED, DIMENSIONS ARE IN INCHES [mm] OVERALL CABLE LENGTH TOLERANCE: ≤12 [305] = +1 [25] / -0 >12 [305] ≤60 [1524] = +2 [51] / -0 >60 [1524] ≤120 [3048] = +4 [102] / -0 >120 [3048] ≤300 [7620] = +6 [152] / -0 >300 [7620] = +5% / -0 ALL OTHER DIMENSIONAL TOLERANCES: .X = ±.2 [5] FRACTIONS ± 1/32 .XX = ±.02 [5] ANGLES ±1° .XXX = ±.005 [1.3]	APPROVALS DRAWN BY VTHANGARAJ CHECKED BY DGUST APPROVED BY GUTTADAURO	DATE 09/26/2023 09/26/2023 09/26/2023	50 High Street, West Mill, North Andover, MA 01845 USA. Phone: 1.800.341.5266 1.978.682.6936
	CONFIGURATION DETAILS OF UNDIMENSIONED FEATURES MAY VARY COLOR VARIATIONS MAY OCCUR	CATEGORY TELECOM/MODULAR	
THIRD-ANGLE PROJECTION 	SIZE A	CAGE CODE 43321	ITEM NO. TR8GA320-P4L
SCALE: NONE		CAD FILE: TR8GA320-P4L.SLDDRW	SHEET 1 OF 1