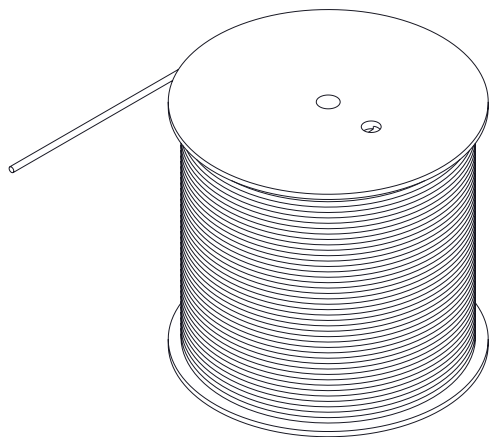
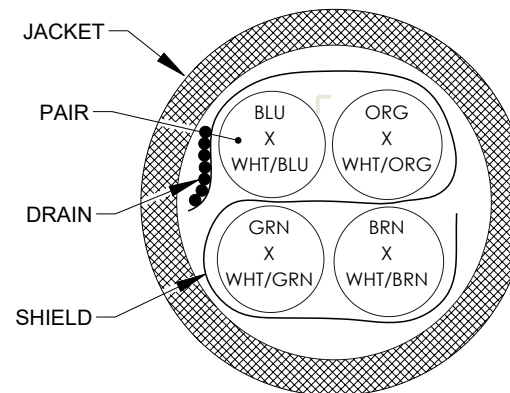


TFCRC6A CONSISTS OF 1000 FEET OF CONTINUOUS LENGTH OF BULK CABLE



REVISION					
ZONE	REV	DESCRIPTION	DATE	CHANGED BY	APPROVED
	B	UPDATED PER ECO-14084	12/19/2024	HBAKKE	GUTTADAURO

CROSS-SECTIONAL VIEW



COLOR CODE
 BLUE x WHITE/BLUE
 ORANGE x WHITE/ORANGE
 GREEN x WHITE/GREEN
 BROWN x WHITE/BROWN

NOTES:

1. CONSTRUCTION:

CONDUCTOR: 26 AWG 7/34 STRANDED TINNED COPPER
 INSULATION: HIGH DENSITY POLYETHYLENE, .011" NOM. WALL THICKNESS
 PAIRS: COLOR CODED SINGLES TWISTED INTO PAIRS
 CABLE: (4) TWISTED PAIRS TWISTED TOGETHER
 SHIELD: AN ALUMINIZED POLYESTER FOIL SHIELD (100% COVERAGE) WITH 7 ENDS OF 34AWG TINNED COPPER DRAIN WIRE IN CONTACT WITH METALIZED SURFACE SHALL BE APPLIED OVER THE CABLE CORE
 JACKET: POLYVINYLCHLORIDE, COLOR: SEE CHART 1, .024" NOM. WALL THICKNESS
 OVERALL CABLE DIAMETER

NOM. DIA.
 .019"
 .0405"
 .081"
 .177"
 .185"
 .233" NOM.
 (BY PI TAPE)

2. PHYSICAL PROPERTIES:

TEMPERATURE RATING, MAX: +75 ° C
 TEMPERATURE RATING, MIN: -20 ° C
 WT./M', NOM.,NET.: 23.6 LBS.

3. ELECTRICAL CHARACTERISTICS: SEE SHEET 2

4. AGENCY APPROVALS:

NEC (UL) TYPE CMR/CMG
 CEC C(UL) TYPE CMR/CMG
 EU CE MARK: MEETS EU DIRECTIVE 2011/65/EU (RoHS II)

5. APPLICATION:

SHIELDED FLEXIBLE PATCH/JUMPER CABLE TO SUPPORT SCREENED 568.2-D CATEGORY 6a APPLICATIONS.

6. PRINT: (WHITE INK ON BLACK JACKET, ALL OTHERS BLACK INK) QUABBIN DATAMAX 6a F/UTP 100 OHM PATCH CORD P/N (QWC P/N PER CHART 1) -- TYPE CMR C(UL)US CMG 4 PR 26 AWG SHIELDED 75C --FT4/IEEE 1202 -- CAT 6a TIA-568.2-D -- CE RoHS -- (LOT DESIGNATOR) (SEQUENTIAL FOOTAGE)

7. PACKAGING:

CABLE SHIPPED ON A REEL

PART NUMBER	JACKET COLOR
TFCRC6A-BLK-1000F	BLACK
TFCRC6A-BLU-1000F	BLUE
TFCRC6A-GRY-1000F	GRAY
TFCRC6A-VLT-1000F	VIOLET
TFCRC6A-WHT-1000F	WHITE
TFCRC6A-YLW-1000F	YELLOW
TFCRC6A-RED-1000F	RED

UNLESS OTHERWISE SPECIFIED LEADING DIMENSIONS ARE INCHES DIMENSIONS IN [] ARE MILLIMETERS

TOLERANCES:

X = ±.2 [5]	FRACTIONS
.XX = ±.02 [0.5]	± 1/32
.XXX = ±.005 [0.13]	ANGLES ± 1°

CABLE LENGTH TOLERANCES:

≤12 [305] = +1 [25] / -0
>12 [305] ≤ 60 [1524] = +2 [51] / -0
>60 [1524] ≤ 120 [3048] = +4 [102] / -0
>120 [3048] ≤ 300 [7620] = +6 [152] / -0
>300 [7620] = +5% / -0

ALL DIMENSIONS ARE FOR REFERENCE ONLY AND SUBJECT TO CHANGE WITHOUT NOTICE. UN-DIMENSIONED/NON-CRITICAL FEATURES MAY VARY IN SIZE AND LOCATION. COLORS MAY VARY



Website: www.L-com.com
 Phone: 1.800.341.5266 | 1.978.682.6936



INTERPRET ALL DIMENSIONS AND TOLERANCES PER ASME Y14.5

SCALE	SHEET
NONE	1 OF 2

DESCRIPTION				
C6a F/UTP CMR CMG 26AWG 1KFT				
SIZE	CAGE CODE	DRAWN BY	ITEM NO.	REV
A	43321	DFRISIELLO	TFCRC6A	B

3. ELECTRICAL CHARACTERISTICS:

CAPACITANCE, MUTUAL, NOM.	13.5PF/FT AT 1MHz
DIELECTRIC WITHSTANDING, MIN.	1500V RMS
VOLTAGE RATING, MAX.	300V
D.C. RESISTANCE, MAX.	42.6 OHM/1,000 FT(14.0 OHM/100m)

NOTE: TESTING FOR THE FOLLOWING IS CONDUCTED OFF THE REEL (FOR 100m CABLE)

IMPEDANCE, NOM.	100 ± 15 OHM 1-100 MHz	
	100 ± 20 OHM 100-500 MHz	
RETURN LOSS	1 ≤ f < 10 MHz	20 + 5 LOG(f) dB MIN
	10 ≤ f < 20 MHz	25 dB MIN
	20 ≤ f ≤ 500 MHz	25 - 8.6 LOG(f/20) dB MIN
PS NEXT	1 ≤ f ≤ 500 MHz	42.3- 15 LOG(f/100) dB MIN
NEXT	1 ≤ f ≤ 500 MHz	44.3 - 15 LOG(f/100) dB MIN
PS ACRF	1 ≤ f ≤ 500 MHz	24.8 - 20 LOG(f/100) dB MIN
ACRF	1 ≤ f ≤ 500 MHz	27.8 - 20 LOG(f/100) dB MIN
INSERTION LOSS	1 ≤ f ≤ 500 MHz	1.5[1.82SqRt(f) + 0.0091(f) + 0.25/SqRt(f)] dB MAX
DELAY	1 ≤ f ≤ 500 MHz	534 + 36/SqRt(f) ns MAX
DELAY SKEW	1 ≤ f ≤ 500 MHz	< 45 ns
PS ANEXT LOSS (6 AROUND 1)	1 ≤ f ≤ 500 MHz	62.5 - 15 LOG(f/100) dB 50-500 MHz 67 dB 1-50 MHz
PS AFEXT (6 AROUND 1)	1 ≤ f ≤ 500 MHz	38.2 - 20 LOG(f/100) dB, 67 dB MIN
TCL	1 ≤ f ≤ 500 MHz	30 - 10 LOG(f/100) dB MIN, 40 dB MIN
ELTCTL	1 ≤ f ≤ 30 MHz	35 - 20 LOG(f) dB MIN
VELOCITY OF PROPAGATION	68%	



an INFINIT® brand

Website: www.L-com.com

Phone: 1.800.341.5266 | 1.978.682.6936



INTERPRET ALL DIMENSIONS AND TOLERANCES PER ASME Y14.5

SCALE

NONE

SHEET

2 OF 2

DESCRIPTION

C6a F/UTP CMR CMG 26AWG 1KFT

THE INFORMATION CONTAINED IN THIS DRAWING IS THE SOLE PROPERTY OF INFINITE ELECTRONICS, INC. ANY REPRODUCTION IN PART OR WHOLE WITHOUT THE WRITTEN PERMISSION OF INFINITE ELECTRONICS, INC. IS PROHIBITED. THESE COMMODITIES, TECHNOLOGY OR SOFTWARE WERE EXPORTED FROM THE UNITED STATES IN ACCORDANCE WITH THE EXPORT ADMINISTRATION REGULATIONS. DIVERSION CONTRARY TO U.S. LAW PROHIBITED.

ALL DIMENSIONS ARE FOR REFERENCE ONLY AND SUBJECT TO CHANGE WITHOUT NOTICE. UN-DIMENSIONED/NON-CRITICAL FEATURES MAY VARY IN SIZE AND LOCATION. COLORS MAY VARY.

SIZE	CAGE CODE	DRAWN BY	ITEM NO.	REV
A	43321	DFRISIELLO	TFCRC6A	B