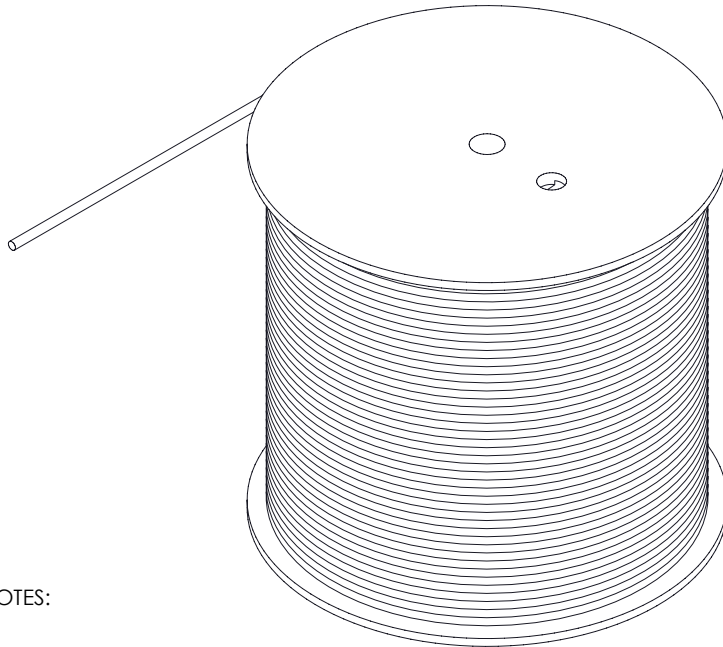


THE INFORMATION CONTAINED IN THIS DRAWING IS THE SOLE PROPERTY OF L-COM, INC. ANY REPRODUCTION IN PART OR WHOLE WITHOUT THE WRITTEN PERMISSION OF L-COM, INC. IS PROHIBITED.

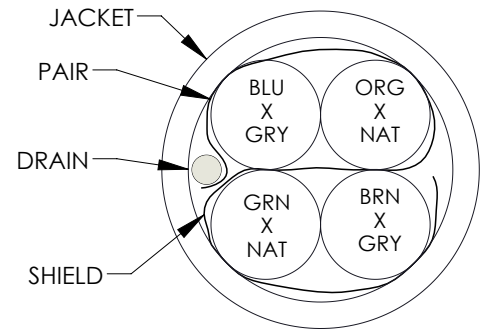
REVISIONS			
REV	DESCRIPTION	DATE	APPROVAL
A	REV A DRAWING RELEASED	04/01/2019	DFRISIELLO

TFC628P-BLU

TFC628P-BLU CONSISTS OF 1000 FEET OF CONTINUOUS LENGTH BULK CABLE



CROSS-SECTIONAL VIEW



COLOR CODE:
 1) NATURAL x ORANGE
 2) GRAY x BROWN
 3) NATURAL x GREEN
 4) GRAY x BLUE

NOTES:

1.CONSTRUCTION:

CONDUCTOR: 28 AWG 7/36 STRANDED TINNED COPPER
 INSULATION: FOAMED FEP, .008" NOM. WALL THICKNESS
 PAIRS: COLOR CODED SINGLES TWISTED INTO PAIRS
 CABLE: (4) TWISTED PAIRS TWISTED TOGETHER TO FORM A CABLE CORE
 SHIELD: AN ALUMINUM POLYESTER ALUMINUFOIL SHIELD (100% COVERAGE) SHALL BE APPLIED OVER THE CABLE CORE AND SHALL INCLUDE A 28AWG STRANDED TINNED COPPER DRAIN WIRE IN CONTACT WITH THE OUTER SURFACE
 JACKET: POLYVINYLCHLORIDE, (COLOR, BLUE), .021" NOM. WALL THICKNESS
 OVERALL CABLE DIAMETER

NOM. DIA.
 .015"
 .031"
 .062"

.145"
 .191" NOM.

2.PHYSICAL PROPERTIES:

TEMPERATURE RATING, MAX. 105°C
 TEMPERATURE RATING, MIN. -20°C
 WT./M', NOM., NET. 16.5 LBS.

3.AGENCY APPROVALS:

NEC (UL) TYPE CMP
 CEC C (UL) TYPE CMP

4.APPLICATION:

MEETS TIA 568.2-D CAT 6 CHANNEL REQUIREMENTS AT 54 METERS. 4.7 METERS OF PATCH CABLE WITH A 90 METERS PERMANENT LINK (94.7 METER CHANNEL) OR 10 METERS OF PATCH CABLE WITH AN 79 METER PERMANENT LINK (89 METER CHANNEL). SUPPORTS CAT 6 APPLICATIONS. PATENT PENDING.

5.PRINT: (BLACK INK)

QUABBIN DATAMAX MINI-6 F/UTP PATCH CORD P/N (MANUFACTURER P/N) -- PATENT PENDING -- C(ETL)US TYPE CMP 28 AWG 105C -- RoHS -- (LOT DESIGNATOR) (SEQUENTIAL FOOTAGE)

6. ELECTRICAL CHARACTERISTICS: (FOR 100m OF CABLE)

CAPACITANCE, MUTUAL, NOM. 13.5 PF/FT. AT 1 MHz
 DIELECTRIC WITHSTANDING, MIN. 1500V RMS
 VOLTAGE RATING, MAX. 300V
 D.C. RESISTANCE, NOM. 22.4 OHM (68.2 Ω/1000')
 IMPEDANCE 100 +/- 15 Ω 1-500 MHz
 IMPEDANCE, SMOOTHED 100 +/- 10 Ω TYPICAL 5 - 500 MHz

RETURN LOSS:

1 ≤ f < 2 MHz 17 + 9.5 LOG (f) dB MIN
 2 ≤ f < 10 MHz 20 + 5 LOG (f) dB MIN
 10 ≤ f < 20 MHz 25 dB MIN
 20 ≤ f ≤ 500 MHz 25- 8.6 LOG(f/20) dB MIN

7.PACKAGING:

CABLE SHIPPED ON A REEL

UNLESS OTHERWISE SPECIFIED, DIMENSIONS ARE IN INCHES [mm] OVERALL CABLE LENGTH TOLERANCE: ≤12 [305] = +1 [25] / -0 >12 [305] - 60 [1524] = +2 [51] / -0 >60 [1524] - 120 [3048] = +4 [102] / -0 >120 [3048] - 300 [7620] = +6 [152] / -0 >300 [7620] = +5% / -0% ALL OTHER DIMENSIONAL TOLERANCES: .X = .2 [5.08] .XX = .02 [51] .XXX = .005 [13]	APPROVALS	DATE	50 HIGH STREET NORTH ANDOVER, MA 01845	
	DRAWN BY DFRISIELLO	03/19/2019		
PROJECTION 	CHECKED BY DGUTTADAURO	03/27/2019	CATEGORY TELECOM/MODULAR	
	APPROVED BY DGUTTADAURO	03/27/2019	PRODUCT DESCRIPTION C6 F/UTP 4PR/28 STR CMP +105°C BLU	
	CONFIGURATION DETAILS OF UNDIMENSIONED FEATURES MAY VARY		SIZE A	FSCM NO. 43321
	COLOR VARIATIONS MAY OCCUR		DWG. NO. TFC628P-BLU	REV. A
			SCALE: 1:4	CAD FILE: TFC628P-BLU.SLDDRW
				SHEET 1 OF 1