

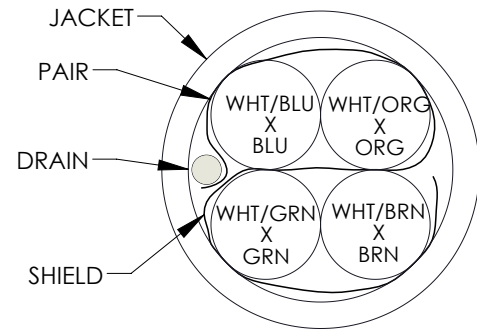
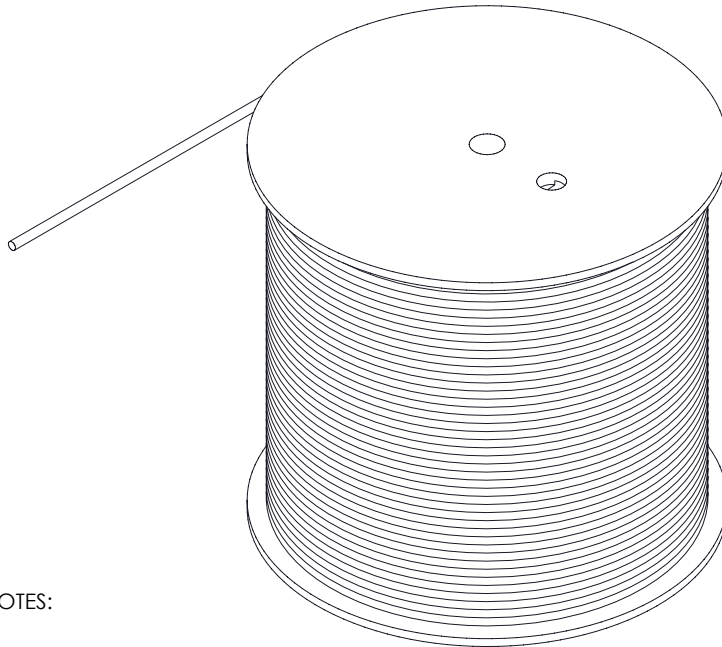
THE INFORMATION CONTAINED IN THIS DRAWING IS THE SOLE PROPERTY OF L-COM, INC. ANY REPRODUCTION IN PART OR WHOLE WITHOUT THE WRITTEN PERMISSION OF L-COM, INC. IS PROHIBITED.

REVISIONS			
REV	DESCRIPTION	DATE	APPROVAL
A	INITIAL RELEASE	01/27/2016	DFRISIELLO
B	ECN 9547: REVISED CROSS SECTIONAL VIEW	12/05/2018	DFRISIELLO

TFC628A-BL

TFC628A-BL CONSISTS OF 1000 FEET OF CONTINUOUS LENGTH BULK CABLE

CROSS-SECTIONAL VIEW



COLOR CODE
 1) WHITE/ORANGE X ORANGE
 2) WHITE/BROWN X BROWN
 3) WHITE/GREEN X GREEN
 4) WHITE/BLUE X BLUE

NOTES:

1. CONSTRUCTION:
 CONDUCTOR: 28 AWG 7/36 STRANDED TINNED COPPER
 INSULATION: HIGH DENSITY POLYETHYLENE, .008" NOM. WALL THICKNESS
 PAIRS: COLOR CODED SINGLES TWISTED INTO PAIRS
 CABLE: (4) TWISTED PAIRS TWISTED TOGETHER TO FORM A CABLE CORE
 SHIELD: AN ALUMINUM POLYESTER ALUMINUM FOIL SHIELD (100% COVERAGE) SHALL BE APPLIED OVER THE CABLE CORE AND SHALL INCLUDE A 28AWG STRANDED TINNED COPPER DRAIN WIRE IN CONTACT WITH THE OUTER SURFACE
 JACKET: POLYVINYLCHLORIDE, (COLOR, BLUE), .020" NOM. WALL THICKNESS
 OVERALL CABLE DIAMETER

NOM. DIA.
 .015"
 .031" MIN
 .0322" MAX
 .064"

.146"

.186" NOM
 .191" MAX

2. PHYSICAL PROPERTIES:
 TEMPERATURE RATING, MAX. 75°C
 TEMPERATURE RATING, MIN. -20°C
 WT./M', NOM., NET. 15.2 LBS.

3. AGENCY APPROVALS:
 NEC (UL) TYPE CMR
 CEC C(UL) TYPE CMR

4. APPLICATION:
 MEETS TIA 568 C.2 CHANNEL REQUIREMENTS AT 56 METERS. 7.8 METERS OF PATCH CABLE WITH A 90 METERS PERMANENT LINK (97.8 METER CHANNEL) OR 10 METERS OF PATCH CABLE WITH AN 86 METER PERMANENT LINK (94 METER CHANNEL).

5. PRINT: (BLACK INK)
 (MANUFACTURER NAME) DATAMAX MINI-6a F/UTP PATCH CORD P/N (MANUFACTURER P/N) -- PATENT PENDING -- C(UL) US TYPE CMR 28 AWG 75C -- RoHS -- (LOT DESIGNATOR) (SEQUENTIAL FOOTAGE)

6. ELECTRICAL CHARACTERISTICS: (FOR 100m OF CABLE)
 CAPACITANCE, MUTUAL, NOM. 13.5 PF/FT. AT 1 MHZ
 DIELECTRIC WITHSTANDING, MIN. 1500V RMS
 VOLTAGE RATING, MAX. 300V
 D.C. RESISTANCE, NOM. 68.2 Ω/1000'
 IMPEDANCE 100 +/- 15 Ω 1-500 MHZ
 IMPEDANCE, SMOOTHED 100 +/- 10 Ω TYPICAL 5 - 500 MHZ
 RETURN LOSS
 1 ≤ f < 10 MHZ 20 + 5 LOG (f) dB MIN
 10 ≤ f < 20 MHZ 25 dB MIN
 20 ≤ f ≤ 500 MHZ 25- 8.6 LOG(f/20) dB MIN

7. PACKAGING:
 CABLE SHIPPED ON A REEL

REGULATORY COMPLIANCE:
 CE2011/65/EU (RoHS DIRECTIVE)

UNLESS OTHERWISE SPECIFIED, DIMENSIONS ARE IN INCHES [mm] OVERALL CABLE LENGTH TOLERANCE: ≤12 [305] = +1 [25] / -0 >12 [305] - 60 [1524] = +2 [51] / -0 >60 [1524] - 120 [3048] = +4 [102] / -0 >120 [3048] - 300 [7620] = +6 [152] / -0 >300 [7620] = +5% / -0% ALL OTHER DIMENSIONAL TOLERANCES: .X = .2 [5.08] .XX = .02 [51] .XXX = .005 [13]	APPROVALS	DATE	Global Connectivity 50 HIGH STREET NORTH ANDOVER, MA 01845		
	DRAWN BY DCUI	01/27/2016		CATEGORY TELECOM/MODULAR	
	CHECKED BY BZHANG	01/27/2016			
	APPROVED BY SPAN	01/27/2016			
PROJECTION	CONFIGURATION DETAILS OF UNDIMENSIONED FEATURES MAY VARY		PRODUCT DESCRIPTION C6A FTP 4PR/28 STR PVC BL		
	COLOR VARIATIONS MAY OCCUR	SIZE A	FSCM NO. 43321	DWG. NO. TFC628A-BL	REV. B
		SCALE: 1:4	CAD FILE: TFC628A-BL.SLDDRW	SHEET 1 OF 1	