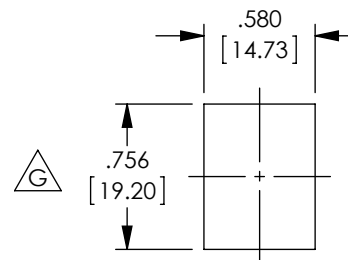
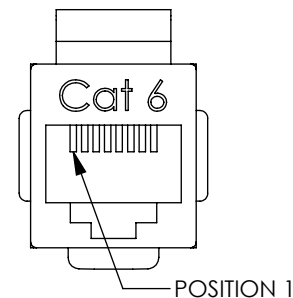
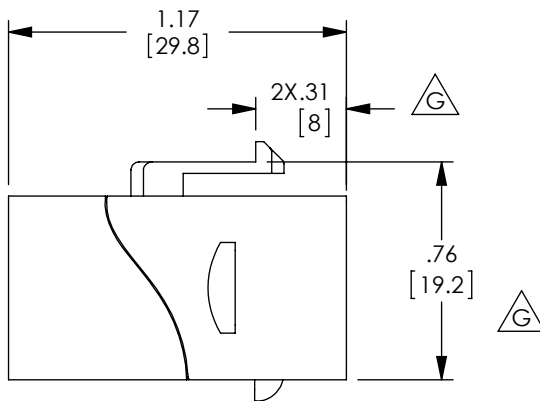
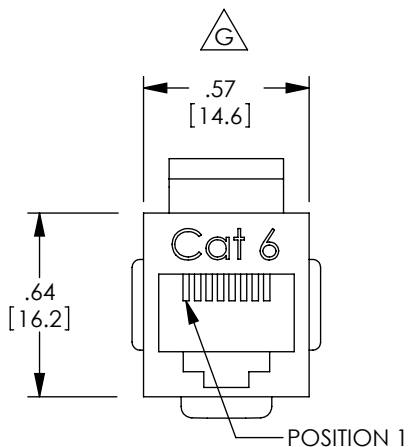


THE INFORMATION CONTAINED IN THIS DRAWING IS THE SOLE PROPERTY OF L-COM, INC. ANY REPRODUCTION IN PART OR WHOLE WITHOUT THE WRITTEN PERMISSION OF L-COM, INC. IS PROHIBITED.

REVISIONS			
REV	DESCRIPTION	DATE	APPROVED
F	ECN 6881: REVISED PANEL OPENING. UPD DIMENSIONS. ADDED COMPLIANCE	6/14/13	D. DESJARDIN
G	ECN 7409: UPDATED PER NEW SUPPLIER SPEC	5/19/14	D. CASTRO



RECOMMENDED
PANEL OPENING

NOTES:

MATERIAL:
HOUSING: PC UL94V-0
COLOR: BLACK.
CONTACTS: PHOSPHOR BRONZE, 50 μINCHES GOLD PLATE OVER
100 μINCHES NICKEL PLATE.

ELECTRICAL:
DC CURRENT RATING: 1.5 AMP
DIELECTRIC WITHSTANDING VOLTAGE: 1000 VOLTS AC.

MISCELLANEOUS:
WIRING: STRAIGHT THROUGH
OPERATING TEMPERATURE RANGE: -10°C TO +60°C.
APPLICATION: CATEGORY 6.
PANEL THICKNESS: .06" [1.6mm] MAX.

COMPONENT SHALL BE INDIVIDUALLY PACKAGED IN ACCORDANCE WITH L-COM SPECIFICATION PS-0031.

ALL DIMENSIONS ARE FOR REFERENCE ONLY.

REGULATORY COMPLIANCE:
CE2011/65/EU(RoHS DIRECTIVE)

UNLESS OTHERWISE SPECIFIED, DIMENSIONS ARE IN INCHES [mm] OVERALL CABLE LENGTH TOLERANCE: ≤12 [305] = +1 [25] / -0 >12 [305] ≤60 [1524] = +2 [51] / -0 >60 [1524] ≤120 [3048] = +4 [102] / -0 >120 [3048] ≤300 [7620] = +6 [152] / -0 >300 [7620] = +5% / -0%	APPROVALS	DATE	L-com Global Connectivity	45 BEECHWOOD DRIVE NORTH ANDOVER, MA 01845
	DRAWN BY B.MAZEJKA	06/16/2003		
ALL OTHER DIMENSIONAL TOLERANCES: .X = ± .2 [5.08] .XX = ± .02 [5.1] .XXX = ±.005 [1.3]	CHECKED BY D.PARHAM	07/03/2003	CATEGORY TELECOM/MODULAR	
	APPROVED BY R.CARRICK	07/03/2003	PRODUCT DESCRIPTION CAT 6 KEYSTONE FEED-THRU CPLR	
PROJECTION 	CONFIGURATION DETAILS OF UNDIMENSIONED FEATURES MAY VARY	COLOR VARIATIONS MAY OCCUR	SIZE A	FSCM NO. 43321
			DWG. NO. TDG1026KC6	REV. G
			SCALE: NONE	CAD FILE: TDG1026KC6.SLDDRW
				SHEET 1 OF 1