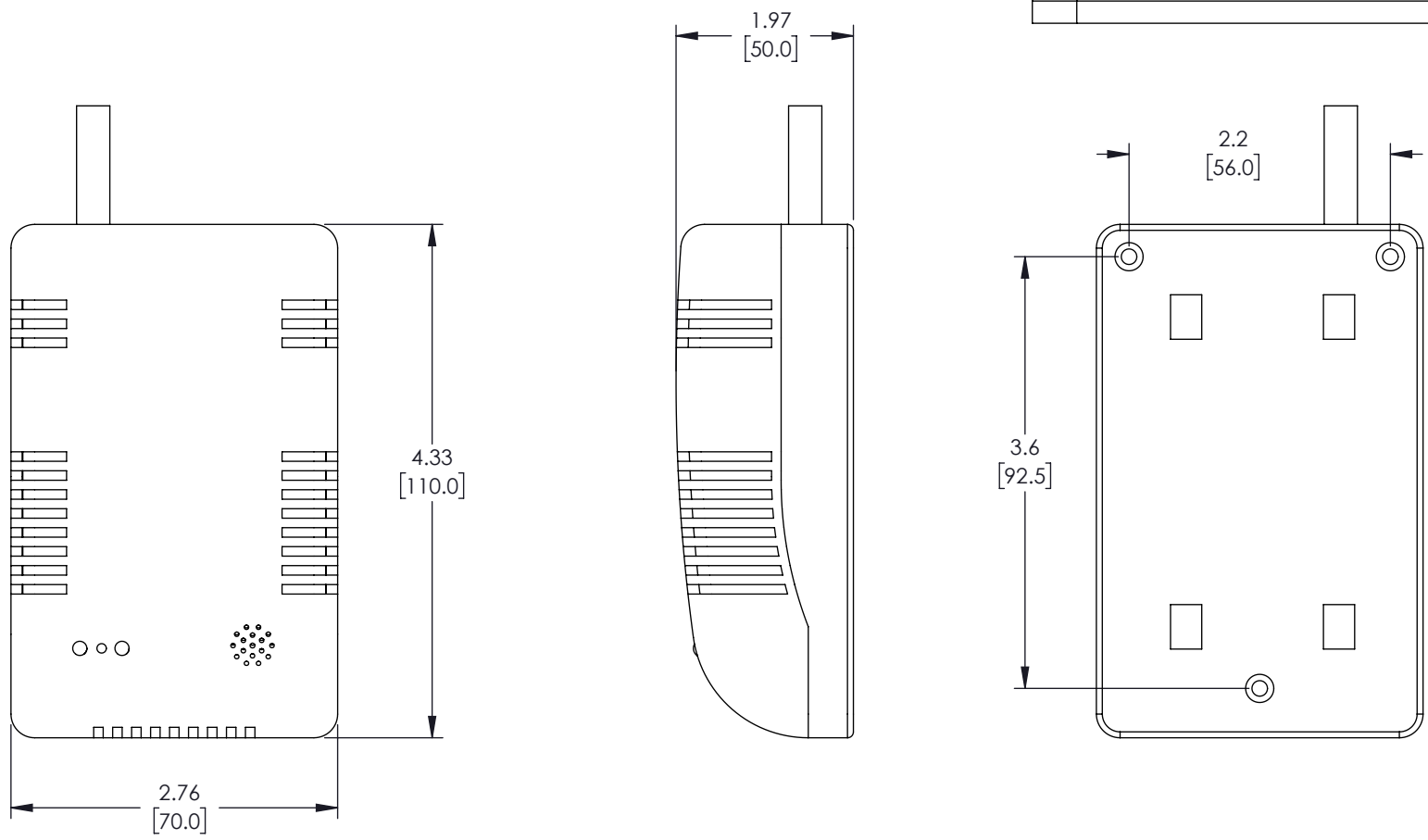

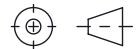


THE INFORMATION CONTAINED IN THIS DRAWING IS THE SOLE PROPERTY OF L-COM, INC. ANY REPRODUCTION IN PART OR WHOLE WITHOUT THE WRITTEN PERMISSION OF L-COM, INC. IS PROHIBITED.

REVISIONS			
REV	DESCRIPTION	DATE	APPROVED
A	INITIAL RELEASE	5/6/2022	THOUGHTON



NOTES:  
 1. COMPONENT SHALL BE INDIVIDUALLY PACKAGED IN ACCORDANCE WITH L-COM SPECIFICATION PS-0031.

UNLESS OTHERWISE SPECIFIED, DIMENSIONS ARE IN INCHES [mm] OVERALL CABLE LENGTH TOLERANCE: ≤12 [305] = +1 [25] / -0 >12 [305] ≤60 [1524] = +2 [51] / -0 >60 [1524] ≤120 [3048] = +4 [102] / -0 >120 [3048] ≤300 [7620] = +6 [152] / -0 >300 [7620] = +5% / -0 ALL OTHER DIMENSIONAL TOLERANCES: .X = ± .2 [5]   FRACTIONS ± 1/32 .XX = ± .02 [.5]   ANGLES ± 1° .XXX = ± .005 [.13]	APPROVALS DRAWN BY DMAY CHECKED BY HBAKKE APPROVED BY THOUGHTON	DATE 4/20/2022 04/20/2022 5/6/2022	 an INFINITO brand 50 High Street, West Mill, North Andover, MA 01845 USA. Phone: 1.800.341.5266 1.978.682.6936	
	CONFIGURATION DETAILS OF UNDIMENSIONED FEATURES MAY VARY COLOR VARIATIONS MAY OCCUR			CATEGORY <b>SENSORS</b> PRODUCT DESCRIPTION <b>OZONE GAS TRANSMITTER (Mq131),          O3 10-1000PPB, PWM 0~3.3V OUTPUT</b>
THIRD-ANGLE PROJECTION 	SIZE <b>A</b>	CAGE CODE <b>43321</b>	ITEM NO. <b>SRAQ-G200</b>	REV. <b>A</b>
SCALE: NONE		CAD FILE: SRAQ-G200.SLDDRW		SHEET 1 OF 1