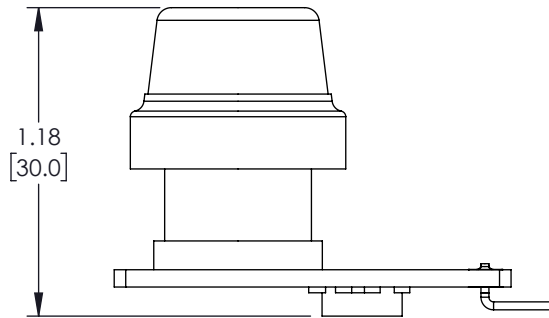
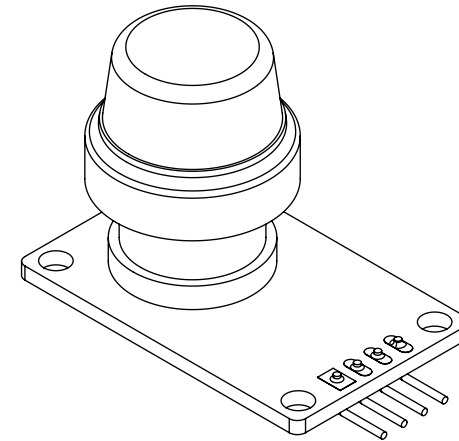
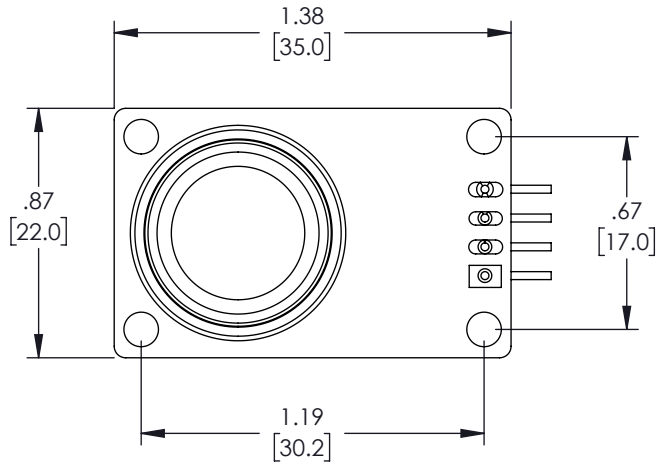



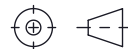
THE INFORMATION CONTAINED IN THIS DRAWING IS THE SOLE PROPERTY OF L-COM, INC. ANY REPRODUCTION IN PART OR WHOLE WITHOUT THE WRITTEN PERMISSION OF L-COM, INC. IS PROHIBITED.

| REVISIONS | | | |
|-----------|-----------------|----------|-----------|
| REV | DESCRIPTION | DATE | APPROVED |
| A | INITIAL RELEASE | 5/6/2022 | THOUGHTON |
| | | | |
| | | | |



NOTES:

1. COMPONENT SHALL BE INDIVIDUALLY PACKAGED IN ACCORDANCE WITH L-COM SPECIFICATION PS-0031.
2. NOT ALL COMPONENTS SHOWN FOR CLARITY.

| | | | |
|--|----------------------------|------------------------------|--|
| UNLESS OTHERWISE SPECIFIED, DIMENSIONS ARE IN INCHES [mm] OVERALL CABLE LENGTH TOLERANCE: ≤12 [305] = +1 [25] / -0 >12 [305] ≤60 [1524] = +2 [51] / -0 >60 [1524] ≤120 [3048] = +4 [102] / -0 >120 [3048] ≤300 [7620] = +6 [152] / -0 >300 [7620] = +5% / -0 ALL OTHER DIMENSIONAL TOLERANCES: .X = ± .2 [5] FRACTIONS ± 1/32 .XX = ± .02 [.5] ANGLES ± 1° .XXX = ± .005 [.13] | APPROVALS | DATE |  50 High Street, West Mill, North Andover, MA 01845 USA. Phone: 1.800.341.5266 1.978.682.6936 |
| | DRAWN BY DMAY | 4/12/2022 | |
| THIRD-ANGLE PROJECTION  | CHECKED BY HBAKKE | 04/12/2022 | CATEGORY SENSORS |
| | APPROVED BY THOUGHTON | 5/6/2022 | PRODUCT DESCRIPTION VOC SENSOR MODULE (Mq138) |
| CONFIGURATION DETAILS OF UNDIMENSIONED FEATURES MAY VARY | COLOR VARIATIONS MAY OCCUR | SIZE A | CAGE CODE 43321 |
| | | ITEM NO. SRAQ-G020 | REV. A |
| | | SCALE: NONE | CAD FILE: SRAQ-G020.SLDDRW |
| | | | SHEET 1 OF 1 |