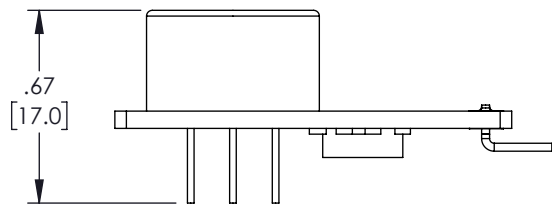
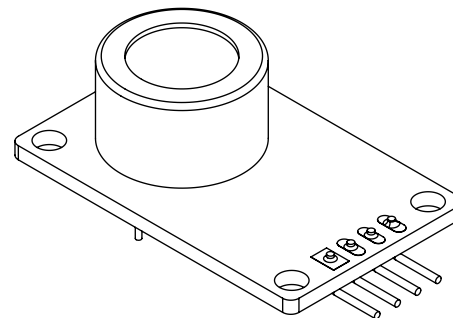
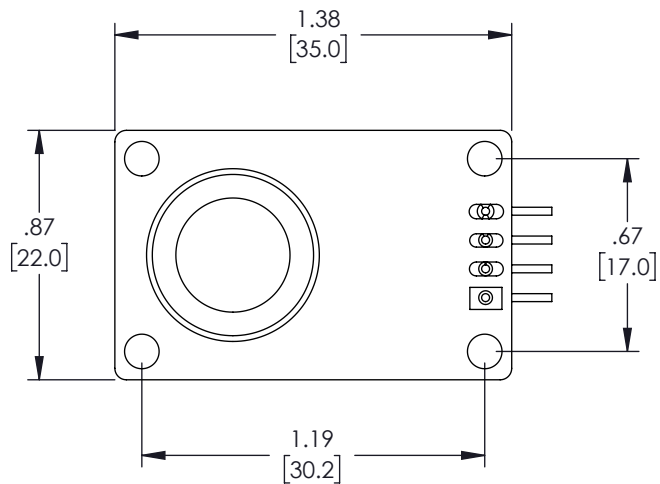



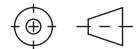
THE INFORMATION CONTAINED IN THIS DRAWING IS THE SOLE PROPERTY OF L-COM, INC. ANY REPRODUCTION IN PART OR WHOLE WITHOUT THE WRITTEN PERMISSION OF L-COM, INC. IS PROHIBITED.

| REVISIONS |                 |          |           |
|-----------|-----------------|----------|-----------|
| REV       | DESCRIPTION     | DATE     | APPROVED  |
| A         | INITIAL RELEASE | 5/6/2022 | THOUGHTON |
|           |                 |          |           |
|           |                 |          |           |



NOTES:

1. COMPONENT SHALL BE INDIVIDUALLY PACKAGED IN ACCORDANCE WITH L-COM SPECIFICATION PS-0031.
2. NOT ALL COMPONENTS SHOWN FOR CLARITY.

|  |                            |                              |  |
|--|----------------------------|------------------------------|--|
| UNLESS OTHERWISE SPECIFIED, DIMENSIONS ARE IN INCHES [mm]<br>OVERALL CABLE LENGTH TOLERANCE:<br>≤12 [305] = +1 [25] / -0<br>>12 [305] ≤60 [1524] = +2 [51] / -0<br>>60 [1524] ≤120 [3048] = +4 [102] / -0<br>>120 [3048] ≤300 [7620] = +6 [152] / -0<br>>300 [7620] = +5% / -0<br>ALL OTHER DIMENSIONAL TOLERANCES:<br>.X = ± .2 [5]   FRACTIONS ± 1/32<br>.XX = ± .02 [.5]   ANGLES ± 1°<br>.XXX = ± .005 [1.3] | APPROVALS                  | DATE                         | <br>50 High Street, West Mill,<br>North Andover, MA 01845 USA.<br>Phone: 1.800.341.5266<br>1.978.682.6936 |
|  | DRAWN BY<br>DMAY           | 4/12/2022                    |  |
| THIRD-ANGLE PROJECTION<br>  | CHECKED BY<br>HBAKKE       | 04/12/2022                   | CATEGORY<br><b>SENSORS</b>   |
|  | APPROVED BY<br>THOUGHTON   | 5/6/2022                     | PRODUCT DESCRIPTION<br><b>FLAMMABLE GAS SENSOR MODULE (Mq9)</b>  |
| CONFIGURATION DETAILS OF UNDIMENSIONED FEATURES MAY VARY   | COLOR VARIATIONS MAY OCCUR | SIZE<br><b>A</b>             | CAGE CODE<br><b>43321</b>  |
|  |                            | ITEM NO.<br><b>SRAQ-G014</b> | REV.<br><b>A</b>   |
|  |                            | SCALE: NONE                  | CAD FILE: SRAQ-G014_2D.SLDDRW  |
|  |                            | SHEET 1 OF 1                 |  |