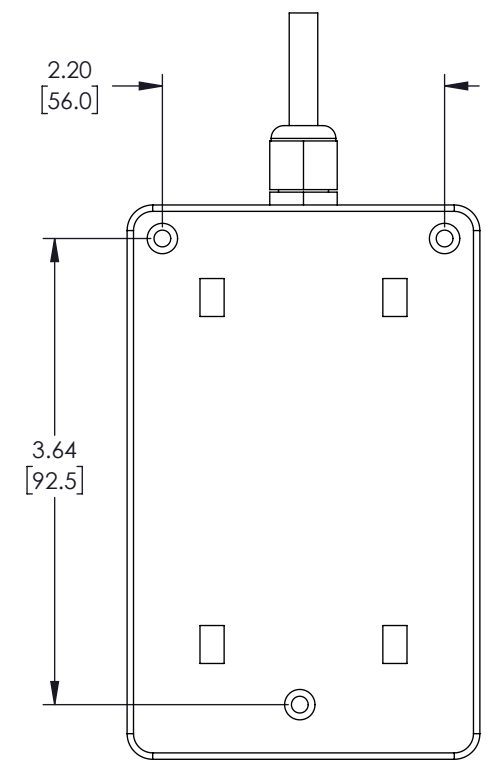
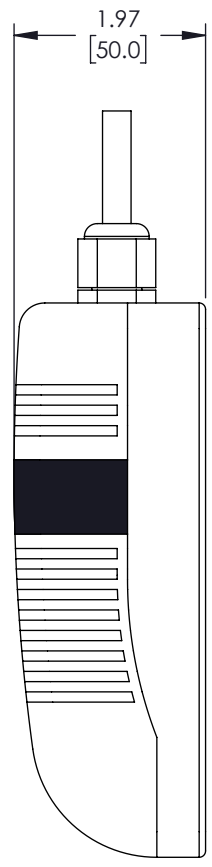
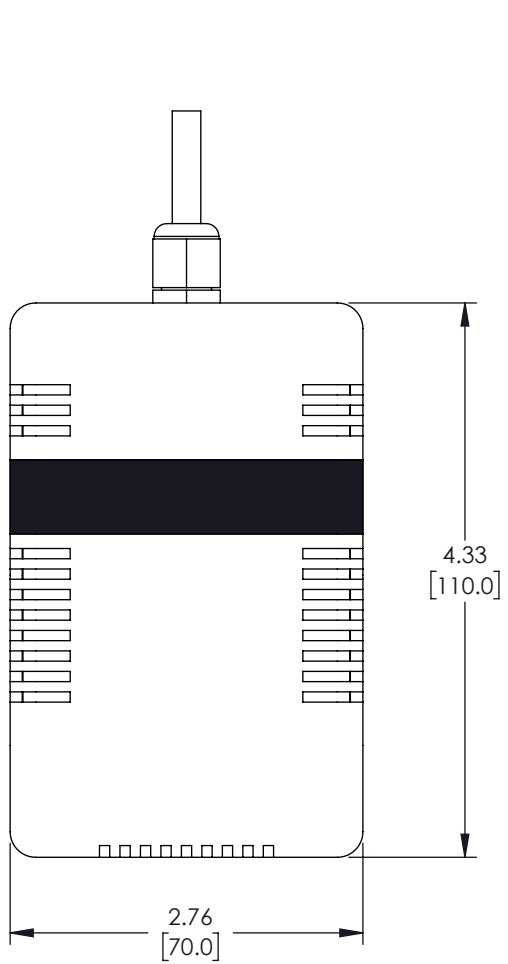


THE INFORMATION CONTAINED IN THIS DRAWING IS THE SOLE PROPERTY OF L-COM, INC. ANY REPRODUCTION IN PART OR WHOLE WITHOUT THE WRITTEN PERMISSION OF L-COM, INC. IS PROHIBITED.

REVISIONS			
REV	DESCRIPTION	DATE	APPROVED
A	INITIAL RELEASE	5/6/2022	THOUGHTON



NOTES:
1. COMPONENT SHALL BE INDIVIDUALLY PACKAGED IN ACCORDANCE WITH L-COM SPECIFICATION PS-0031.

<p>UNLESS OTHERWISE SPECIFIED, DIMENSIONS ARE IN INCHES [mm]</p> <p>OVERALL CABLE LENGTH TOLERANCE: ≤12 [305] = +1 [25] / -0 >12 [305] ≤60 [1524] = +2 [51] / -0 >60 [1524] ≤120 [3048] = +4 [102] / -0 >120 [3048] ≤300 [7620] = +6 [152] / -0 >300 [7620] = +5% / -0</p> <p>ALL OTHER DIMENSIONAL TOLERANCES: .X = ± .2 [5] FRACTIONS ± 1/32 .XX = ± .02 [.5] ANGLES ± 1° .XXX = ± .005 [.13]</p> <p>THIRD-ANGLE PROJECTION</p>	APPROVALS	DATE	<p>50 High Street, West Mill, North Andover, MA 01845 USA. Phone: 1.800.341.5266 1.978.682.6936</p>	
	DRAWN BY DMAY	4/20/2022		
	CHECKED BY HBAKKE	04/20/2022		
	APPROVED BY THOUGHTON	5/6/2022		
CONFIGURATION DETAILS OF UNDIMENSIONED FEATURES MAY VARY	<p>CATEGORY</p> <p>SENSORS</p>		<p>PRODUCT DESCRIPTION</p> <p>CO2 TRANSMITTER, 400-2000ppm 4-20mA OUTPUT</p>	
COLOR VARIATIONS MAY OCCUR	<p>SIZE</p> <p>A</p>	<p>CAGE CODE</p> <p>43321</p>		<p>ITEM NO.</p> <p>SRAQ-D152</p>
SCALE: NONE		CAD FILE: SRAQ-D152.SLDDRW		SHEET 1 OF 1