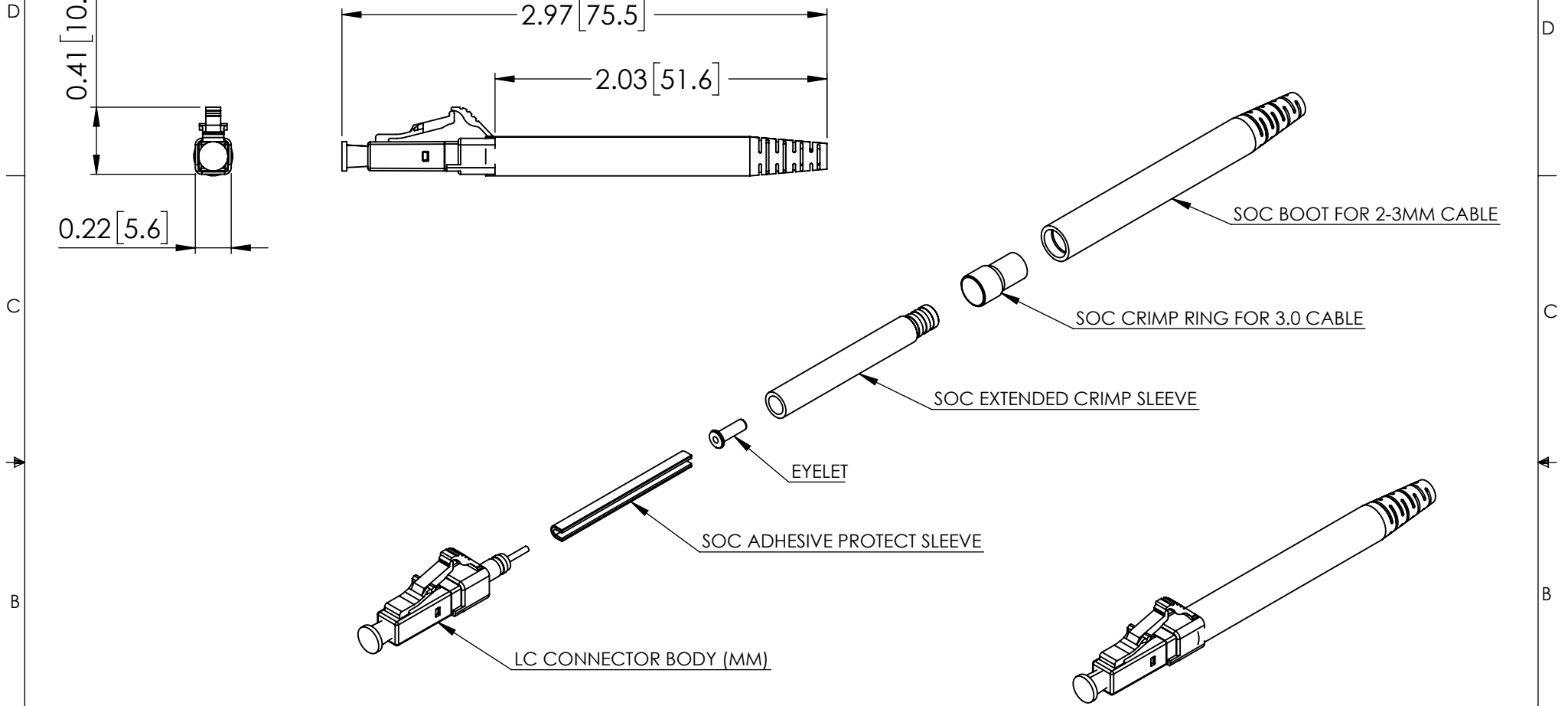



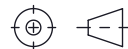
THE INFORMATION CONTAINED IN THIS DRAWING IS THE SOLE PROPERTY OF L-COM, INC. ANY REPRODUCTION IN PART OR WHOLE WITHOUT THE WRITTEN PERMISSION OF L-COM, INC. IS PROHIBITED.

| REVISIONS | | | |
|-----------|-----------------|----------|-----------|
| REV | DESCRIPTION | DATE | APPROVED |
| A | INITIAL RELEASE | 04/04/22 | PHOSPODAR |
| | | | |
| | | | |



NOTES:

1. ALL DIMENSIONS ARE REFERENCE ONLY.
2. CONNECTORS ACCOMPANIED WITH LC SQUARE DUST CAP INSTALLED (NOT SHOWN).
3. CONNECTORS ACCOMPANIED WITH A LC SOC DUST CAP WITH EXTENDED HANDLEBAR INSTALLED (NOT SHOWN).
4. PACKAGE CONSIST OF 10 UNITS, INDIVIDUALLY KITTED. PRODUCT SHALL BE PACKAGED IN ACCORDANCE WITH L-COM SPECIFICATION PS-0031.

| | | | |
|---|--|--|---|
| UNLESS OTHERWISE SPECIFIED, DIMENSIONS ARE IN INCHES [mm] OVERALL CABLE LENGTH TOLERANCE: ≤12 [305] = +1 [25] / -0 >12 [305] ≤60 [1524] = +2 [51] / -0 >60 [1524] ≤120 [3048] = +4 [102] / -0 >120 [3048] ≤300 [7620] = +6 [152] / -0 >300 [7620] = +5% / -0 ALL OTHER DIMENSIONAL TOLERANCES: .X = ± .2 [5] FRACTIONS ± 1/32 .XX = ± .02 [5] ANGLES ± 1° .XXX = ± .005 [1.3] | APPROVALS | DATE |  50 High Street, West Mill, North Andover, MA 01845 USA. Phone: 1.800.341.5266 1.978.682.6936 |
| | DRAWN BY VTHANGARAJ CHECKED BY PHOSPODAR APPROVED BY PHOSPODAR | 04/04/22 04/04/22 04/04/22 | |
| THIRD-ANGLE PROJECTION  | CONFIGURATION DETAILS OF UNDIMENSIONED FEATURES MAY VARY COLOR VARIATIONS MAY OCCUR | PRODUCT DESCRIPTION LC MM SOC 3.0mm OM3 Aqua | SCALE: NONE CAD FILE: SOC-LC-M3-30AQ-10PK.SLDDRW SHEET 1 OF 1 |
| SIZE A | CAGE CODE 43321 | ITEM NO. SOC-LC-M3-30AQ-10PK | REV. A |