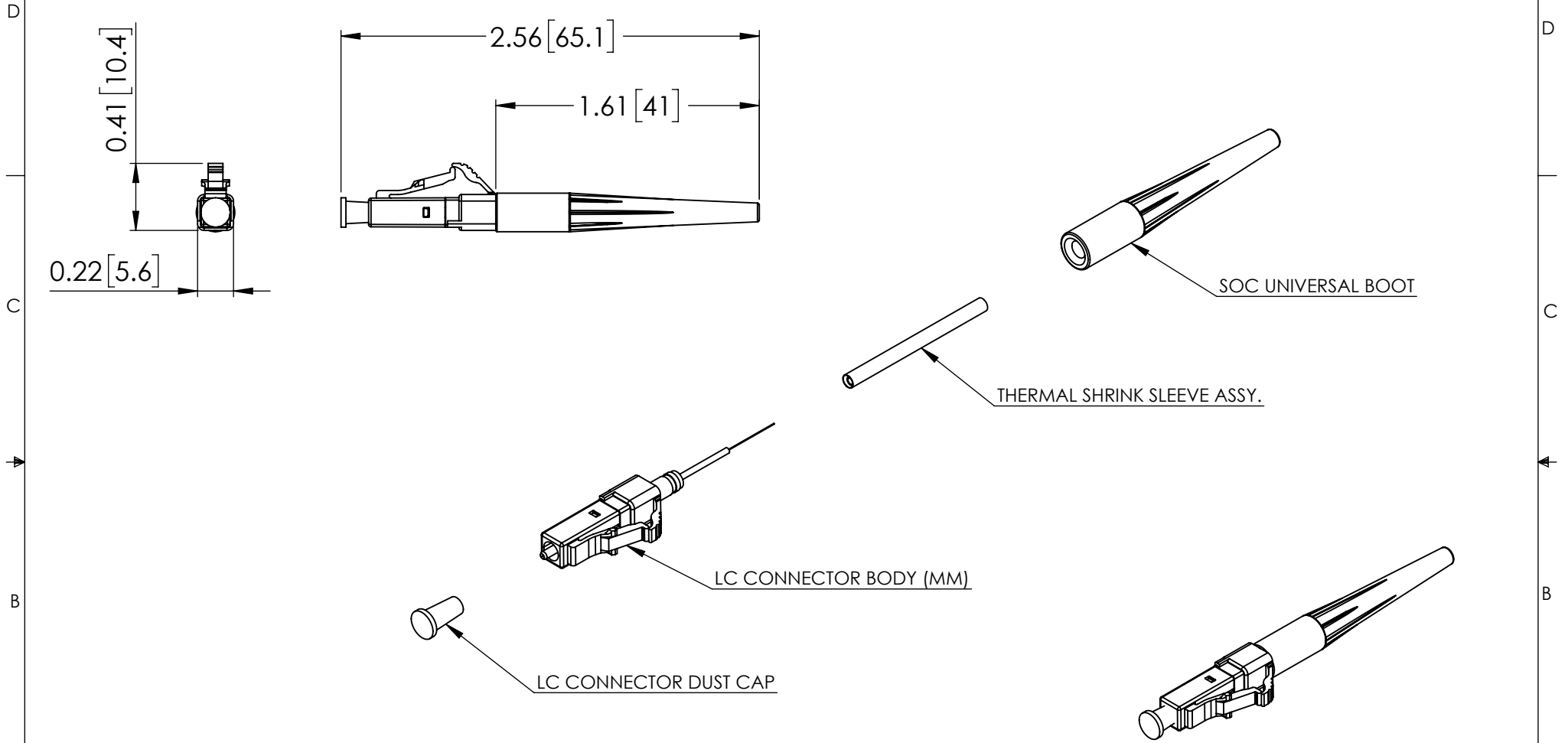



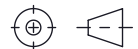
THE INFORMATION CONTAINED IN THIS DRAWING IS THE SOLE PROPERTY OF L-COM, INC. ANY REPRODUCTION IN PART OR WHOLE WITHOUT THE WRITTEN PERMISSION OF L-COM, INC. IS PROHIBITED.

| REVISIONS |                 |          |           |
|-----------|-----------------|----------|-----------|
| REV       | DESCRIPTION     | DATE     | APPROVED  |
| A         | INITIAL RELEASE | 04/21/22 | PHOSPODAR |
|           |                 |          |           |
|           |                 |          |           |



**NOTES:**

1. ALL DIMENSIONS ARE REFERENCE ONLY.
2. CONNECTORS ACCOMPANIED WITH A LC SOC DUST CAP WITH EXTENDED HANDLEBAR INSTALLED (NOT SHOWN).
3. PACKAGE CONSIST OF 10 UNITS, INDIVIDUALLY KITTED. PRODUCT SHALL BE PACKAGED IN ACCORDANCE WITH L-COM SPECIFICATION PS-0031.

|  |  |  |  |
|--|--|--|--|
| UNLESS OTHERWISE SPECIFIED, DIMENSIONS ARE IN INCHES [mm]<br>OVERALL CABLE LENGTH TOLERANCE:<br>≤12 [305] = +1 [25] / -0<br>>12 [305] ≤60 [1524] = +2 [51] / -0<br>>60 [1524] ≤120 [3048] = +4 [102] / -0<br>>120 [3048] ≤300 [7620] = +6 [152] / -0<br>>300 [7620] = +5% / -0<br>ALL OTHER DIMENSIONAL TOLERANCES:<br>.X = ± .2 [5]      FRACTIONS ± 1/32<br>.XX = ± .02 [.5]      ANGLES ± 1°<br>.XXX = ± .005 [.13] | APPROVALS  | DATE   | <br>50 High Street, West Mill,<br>North Andover, MA 01845 USA.<br>Phone: 1.800.341.5266<br>1.978.682.6936 |
|  | DRAWN BY<br>VTHANGARAJ<br>CHECKED BY<br>PHOSPODAR<br>APPROVED BY<br>PHOSPODAR          | 04/21/22<br>04/21/22<br>04/21/22                 |  |
| THIRD-ANGLE PROJECTION<br>  | CONFIGURATION DETAILS OF UNDIMENSIONED FEATURES MAY VARY<br>COLOR VARIATIONS MAY OCCUR | PRODUCT DESCRIPTION<br>LC MM SOC 0.9mm OM1 Beige | SCALE: NONE<br>CAD FILE: SOC-LC-M1-09BE-10PK.SLDDRW<br>SHEET 1 OF 1  |
|  |  |  |  |