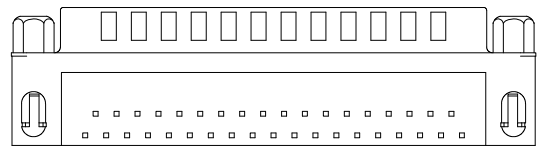
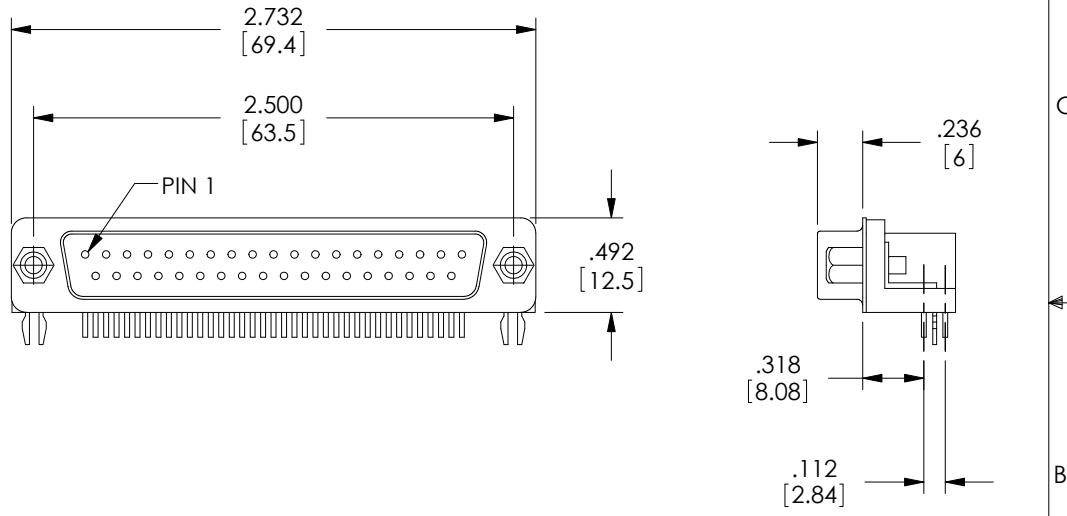
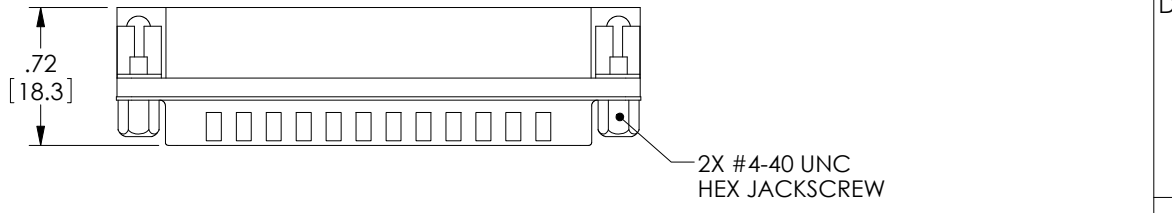
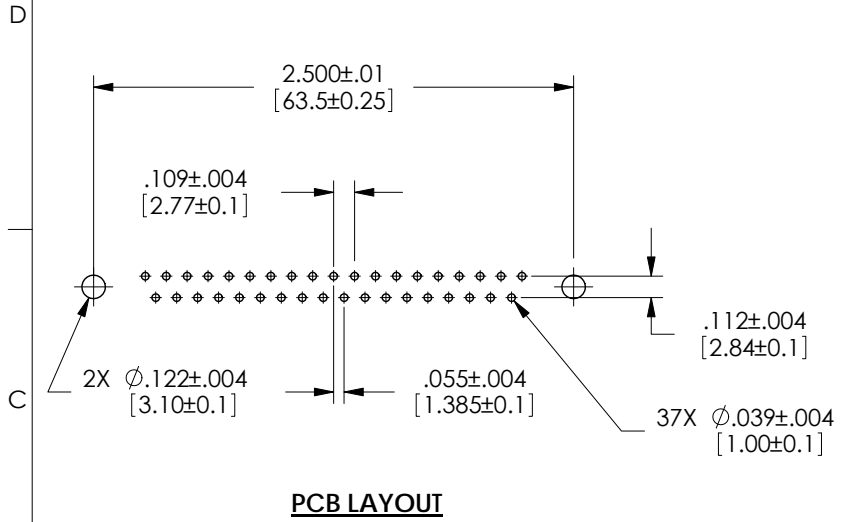


THE INFORMATION CONTAINED IN THIS DRAWING IS THE SOLE PROPERTY OF L-COM, INC. ANY REPRODUCTION IN PART OR WHOLE WITHOUT THE WRITTEN PERMISSION OF L-COM, INC. IS PROHIBITED.

| REVISIONS | | | |
|-----------|-----------------------------------|--------|-------------|
| REV | DESCRIPTION | DATE | APPROVED |
| A | INITIAL RELEASE | 5/4/11 | D.GRIFFIN |
| B | ECN 6146: REMOVE SOURCE REFERENCE | 5/8/12 | D.FRISIELLO |
| | | | |



NOTES:

MATERIALS:

CONTACTS: BRASS
SHELLS: COLD ROLLED STEEL
INSULATOR: PBT, UL94V-0, BLACK
JACKSCREWS: BRASS

FINISH:

CONTACT SURFACES: GOLD FLASH
SHELL: NICKEL PLATED
JACKSCREWS: NICKEL PLATED

ELECTRICAL:

DIELECTRIC WITHSTANDING VOLTAGE: AC 1000 V r.m.s.
CONTACT CURRENT RATING: 1 AMPERE
INSULATION RESISTANCE: 500 MEGOHMS MINIMUM AT DC 500V
CONTACT RESISTANCE: 25 MILLIOHMS MAXIMUM

MISCELLANEOUS:

OPERATING TEMPERATURE: -55°C ~ 105°C
ALL DIMENSIONS ARE FOR REFERENCE ONLY
CONNECTOR SHALL BE PACKAGED 10 CONNECTORS PER TRAY AND
LABELED WITH STANDARD L-COM PRODUCT LABEL.

RoHS Compliant ✓



| | | | | | |
|---|--|------------------------------------|------------------------------|--|------------------|
| UNLESS OTHERWISE SPECIFIED, DIMENSIONS ARE IN INCHES [mm] OVERALL CABLE LENGTH TOLERANCE: ≤12 [305] = +1 [25] / -0 >12 [305] ≤60 [1524] = +2 [51] / -0 >60 [1524] ≤120 [3048] = +4 [102] / -0 >120 [3048] ≤300 [7620] = +6 [152] / -0 >300 [7620] = +3% / -0% ALL OTHER DIMENSIONAL TOLERANCES: .X = ±.2 .XX = ±.02 .XXX = ±.005 PROJECTION | APPROVALS D. CASTRO CHECKED BY D. PARHAM APPROVED BY S. SMITH | DATE 4/5/11 4/7/11 5/2/11 | | 45 BEECHWOOD DRIVE NORTH ANDOVER, MA 01845 | |
| | CATEGORY DATA | | | PRODUCT DESCRIPTION CONNECTOR, DB37M 90DEG PC | |
| | COLOR VARIATIONS MAY OCCUR | SIZE A | FSCM NO. 43321 | DWG. NO. SD37P-RA-PC | REV. B |
| | 1AC06-014 | SCALE: NONE | CAD FILE: SD37P-RA-PC.SLDDRW | SHEET 1 OF 1 | |