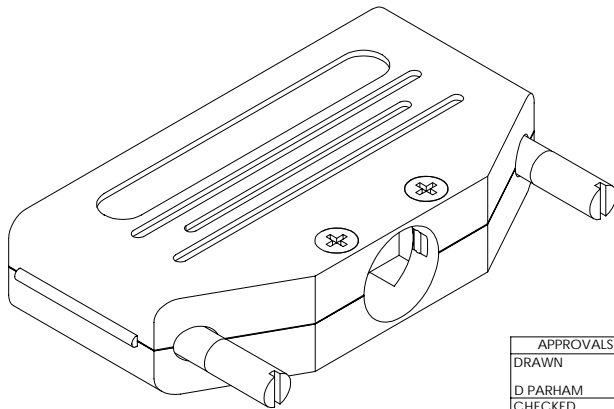
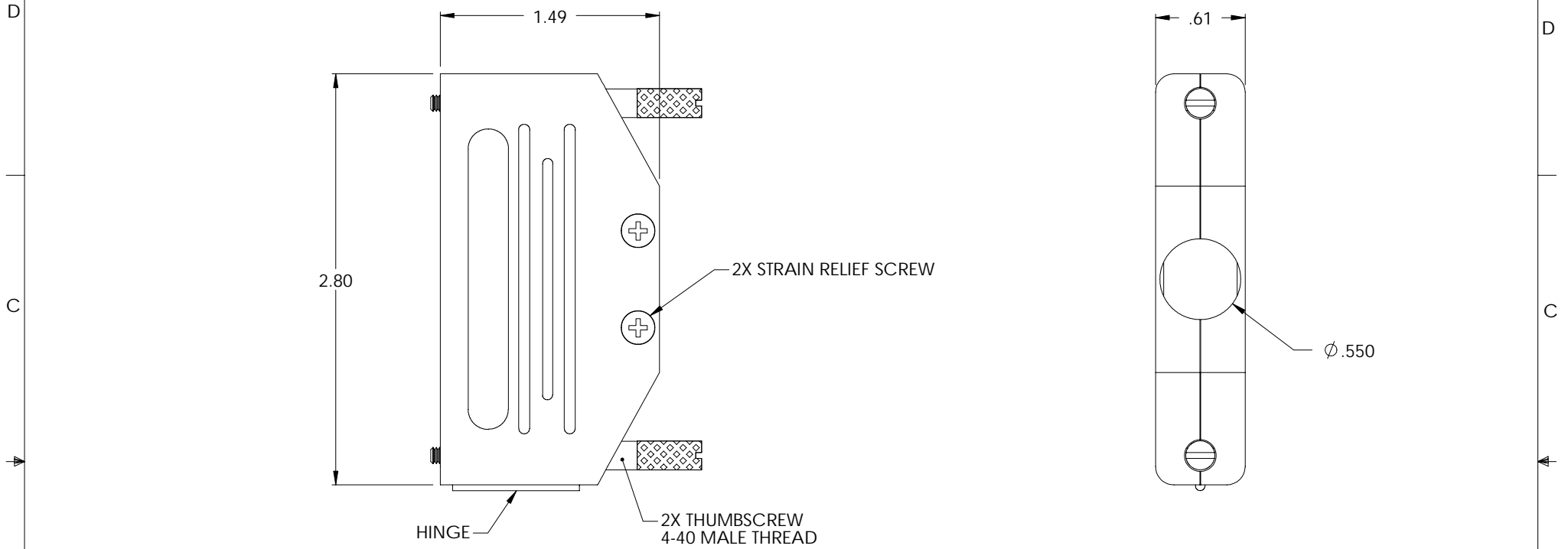


THE INFORMATION CONTAINED IN THIS DRAWING IS THE SOLE PROPERTY OF L-COM, INC. ANY REPRODUCTION IN PART OR WHOLE WITHOUT THE WRITTEN PERMISSION OF L-COM, INC. IS PROHIBITED.

REVISIONS			
REV	DESCRIPTION	DATE	APPROVED
A	RELEASED FOR PRODUCTION	6/6/01	DFP



NOTE:
 1. MATERIAL:
 HOUSING: BLACK PLASTIC
 THUMBSCREW: STEEL (BLACK ANODIZED)

UNLESS OTHERWISE SPECIFIED,
 DIMENSIONS ARE IN INCHES
 TOLERANCES ARE:
 .X ± .1
 .XX ± .05
 .XXX ± .005
 CABLE LENGTH TOLERANCE
 <300" ±5% >300" ±2%

APPROVALS	DATE
DRAWN	
D PARHAM	6/4/2001
CHECKED	
T CLARK	6/4/2001
APPROVED BY	
R CARRICK	6/6/2001

L-com		45 BEECHWOOD DRIVE NORTH ANDOVER, MA 01845	
DRAWN		PRODUCT DESCRIPTION	
D PARHAM		DATA CABLING HOODS	
CHECKED		DRAWING TITLE	
T CLARK		OUTLINE DRAWING	
APPROVED BY		SIZE	DWG. NO.
R CARRICK		A	SD121-50-OD1
CONFIGURATION DETAILS OF UNDIMENSIONED FEATURES MAY VARY		SCALE	REV.
		1:1	A
		CAD FILE: SD121-50-OD1.SLDDRW	SHEET 1 OF 1