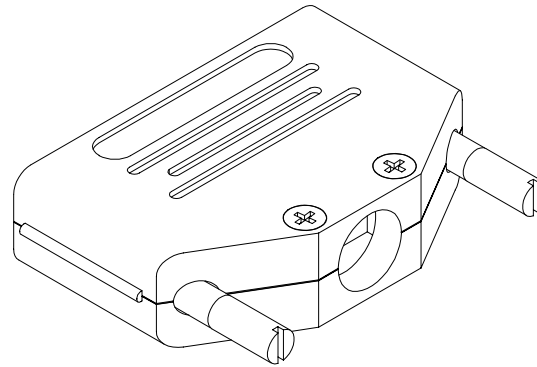
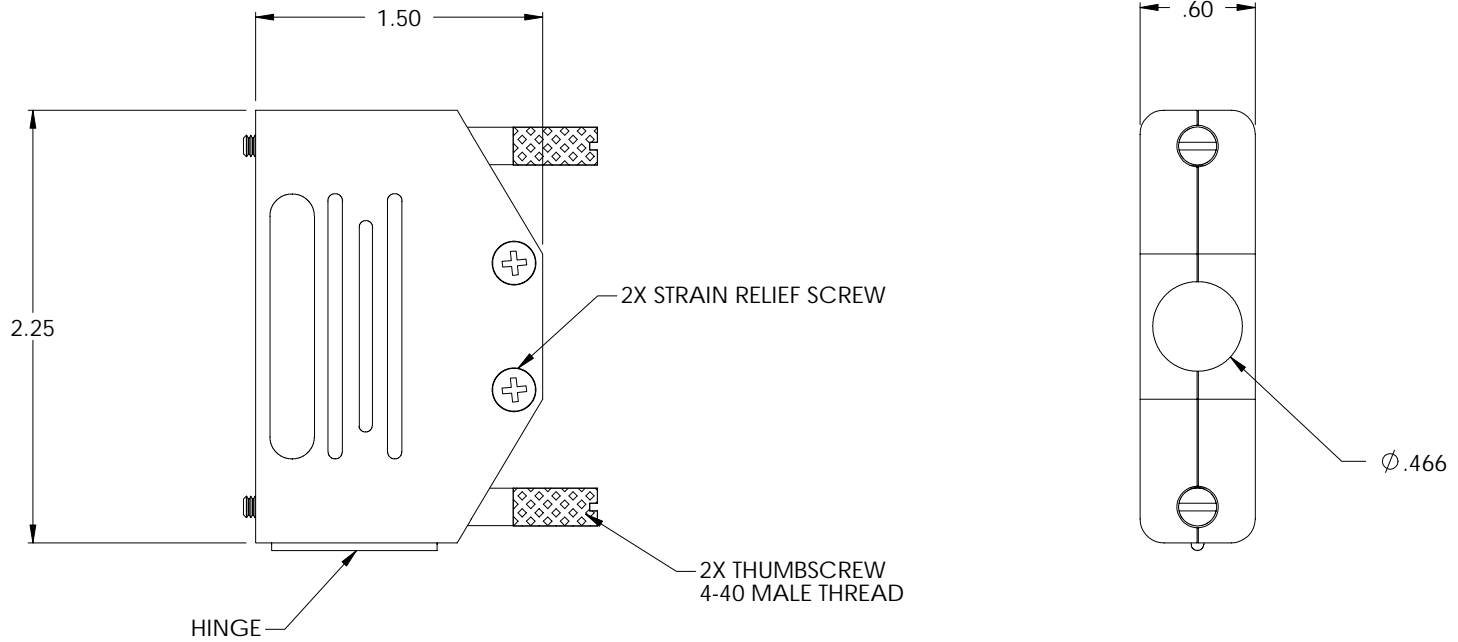


THE INFORMATION CONTAINED IN THIS DRAWING IS THE SOLE PROPERTY OF L-COM, INC. ANY REPRODUCTION IN PART OR WHOLE WITHOUT THE WRITTEN PERMISSION OF L-COM, INC. IS PROHIBITED.

REVISIONS			
REV	DESCRIPTION	DATE	APPROVED
A	RELEASED FOR PRODUCTION	6/4/01	DFP



NOTE:

- MATERIAL:
HOUSING: BLACK PLASTIC.
THUMBSCREWS: STEEL (BLACK ANODIZED)

UNLESS OTHERWISE SPECIFIED,
DIMENSIONS ARE IN INCHES
TOLERANCES ARE:
.X ± .1
.XX ± .01
.XXX ± .005
CABLE LENGTH TOLERANCE
<300" ±5% >300" ±2%

APPROVALS	DATE
DRAWN D PARHAM	5/18/2001
CHECKED T CLARK	5/31/2001
APPROVED BY R CARRICK	6/1/2001

CONFIGURATION DETAILS OF
UNDIMENSIONED FEATURES
MAY VARY

L-com		45 BEECHWOOD DRIVE NORTH ANDOVER, MA 01845	
PRODUCT DESCRIPTION DATA CABLING / HOODS			
DRAWING TITLE OUTLINE DRAWING			
SIZE A	DWG. NO. SD121-25-OD1	REV. A	
SCALE 1:1	CAD FILE: SD121-25-OD1.SLDDRW	SHEET 1 OF 1	