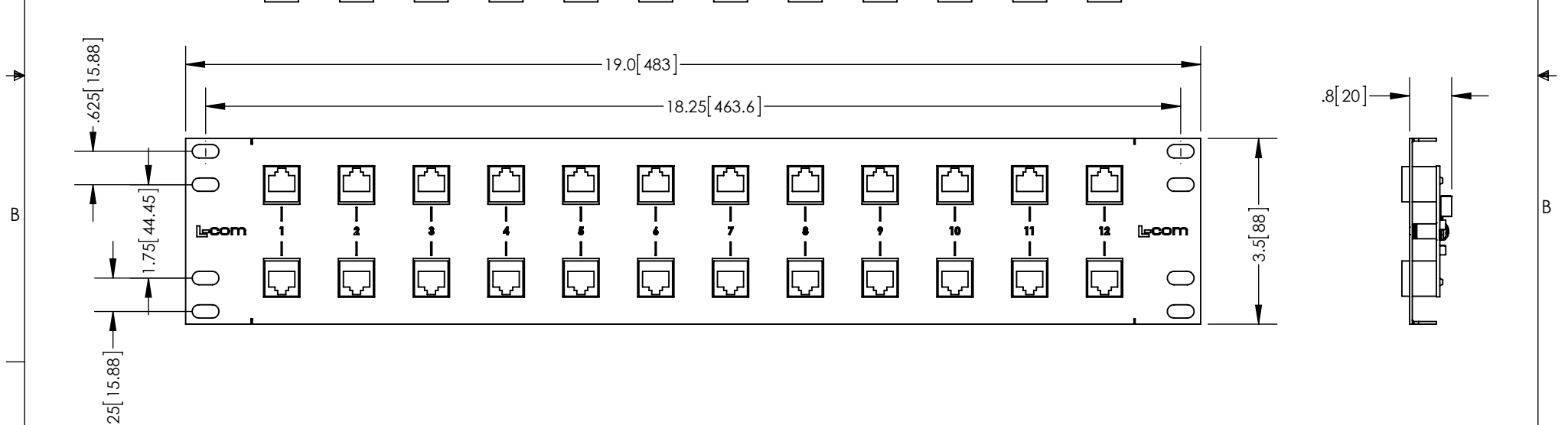
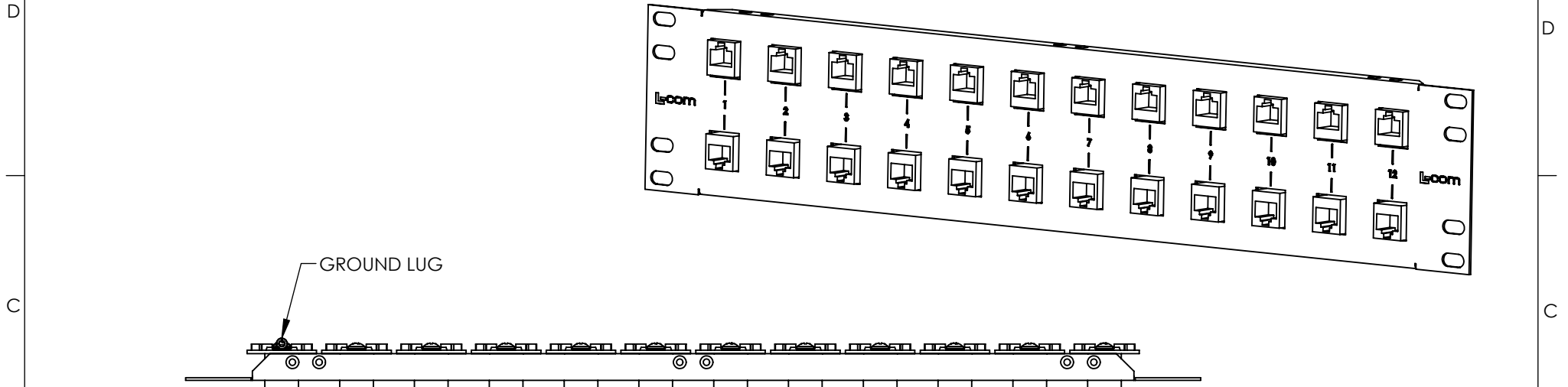


THE INFORMATION CONTAINED IN THIS DRAWING IS THE SOLE PROPERTY OF L-COM, INC. ANY REPRODUCTION IN PART OR WHOLE WITHOUT THE WRITTEN PERMISSION OF L-COM, INC. IS PROHIBITED.

| REVISIONS |                 |        |           |
|-----------|-----------------|--------|-----------|
| REV       | DESCRIPTION     | DATE   | APPROVED  |
| A         | INITIAL RELEASE | 1/8/14 | D.GRIFFIN |
|           |                 |        |           |
|           |                 |        |           |



**NOTE:**

1- COMPONENTS SHALL BE INDIVIDUALLY PACKAGED IN ACCORDANCE WITH L-COM SPECIFICATION PKG-00012

**REGULATORY COMPLIANCE:**  
CE2011/65/EU(RoHS DIRECTIVE)

|  |   |  |                                |  |                                  |
|--|---|--|--------------------------------|--|----------------------------------|
| UNLESS OTHERWISE SPECIFIED, DIMENSIONS ARE IN INCHES [mm]<br><br>DIMENSIONAL TOLERANCES:<br>.X = ±.1 [2.54]<br>.XX = ±.01 [.25]<br>.XXX = ±.005 [.13]<br><br>ANGULAR TOLERANCES:<br>ALL = ± 1°<br><br>PROJECTION<br> | APPROVALS<br>DRAWN BY<br>B.PUCHASKI<br>CHECKED BY<br>K.BURGNER<br>APPROVED BY<br>P.PESA | DATE<br>01/07/14<br>01/07/14<br>01/07/14 |                                | 45 BEECHWOOD DRIVE<br>NORTH ANDOVER, MA<br>01845 |                                  |
|  | CONFIGURATION DETAILS OF UNDIMENSIONED FEATURES MAY VARY                                |  |                                | CATEGORY<br>LIGHTNING PROTECTOR                  |                                  |
|  | COLOR VARIATIONS MAY OCCUR  |  | SIZE<br><b>A</b>               | FSCM NO.<br><b>43321</b>                         | DWG. NO.<br>RMSP-CAT5S-12        |
|  | SCALE: NONE   |  | CAD FILE: RMSP-CAT5S-12.SLDDRW |  | REV.<br><b>A</b><br>SHEET 1 OF 1 |